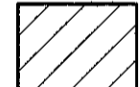
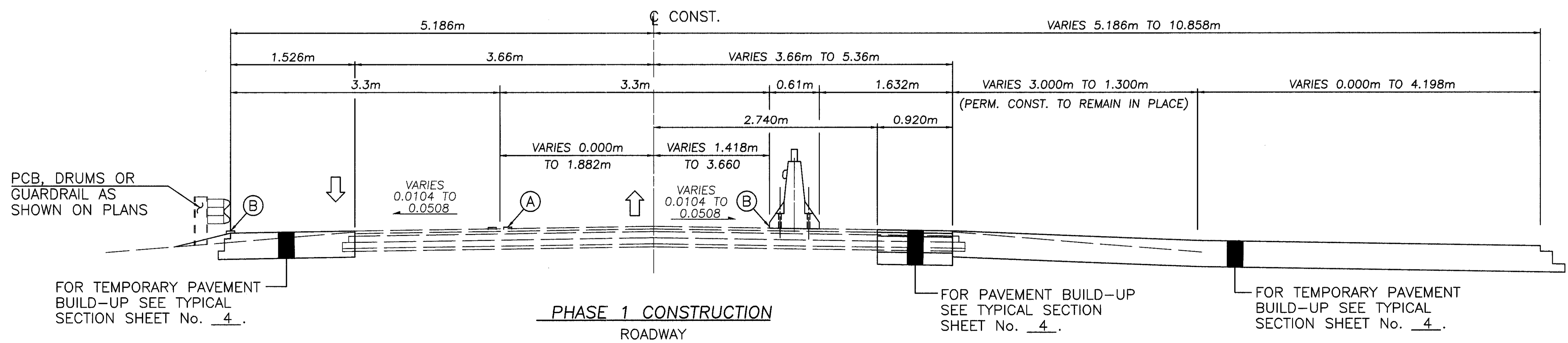


- LEGEND**
-  DENOTES AREA TO BE REMOVED
  - (A) TEMP. CENTER LINE, DOUBLE SOLID
  - (B) TEMP. EDGE LINE, (100mm WHITE)



MAINTENANCE OF TRAFFIC PHASE 1  
TYPICAL SECTIONS

LAK-528-11.024

File Name: 96010MVA  
Date: 3-25-98 PS  
Plot: 1 - 30