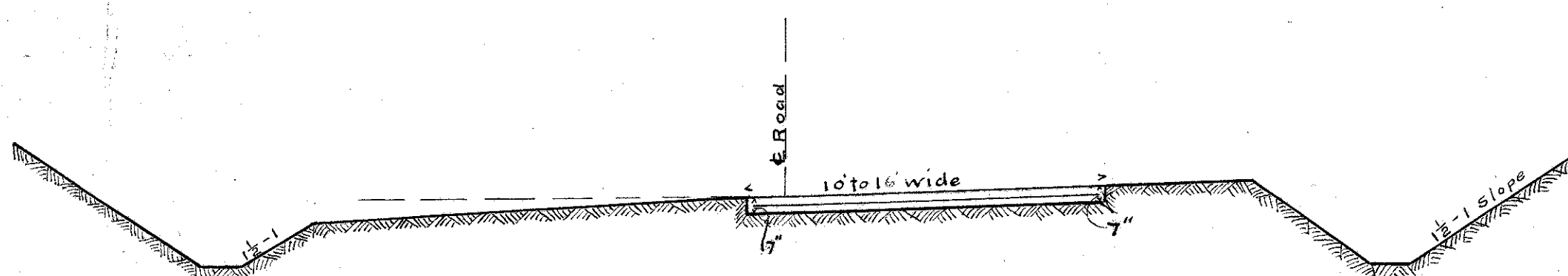
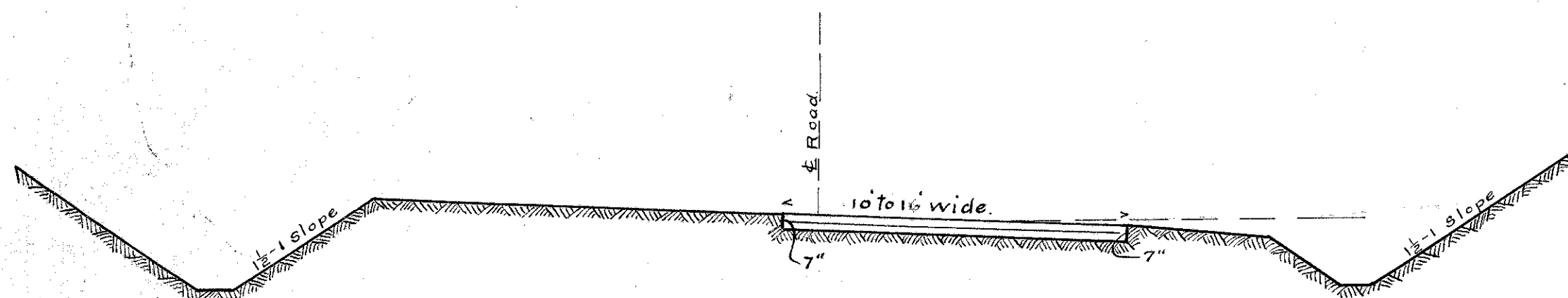


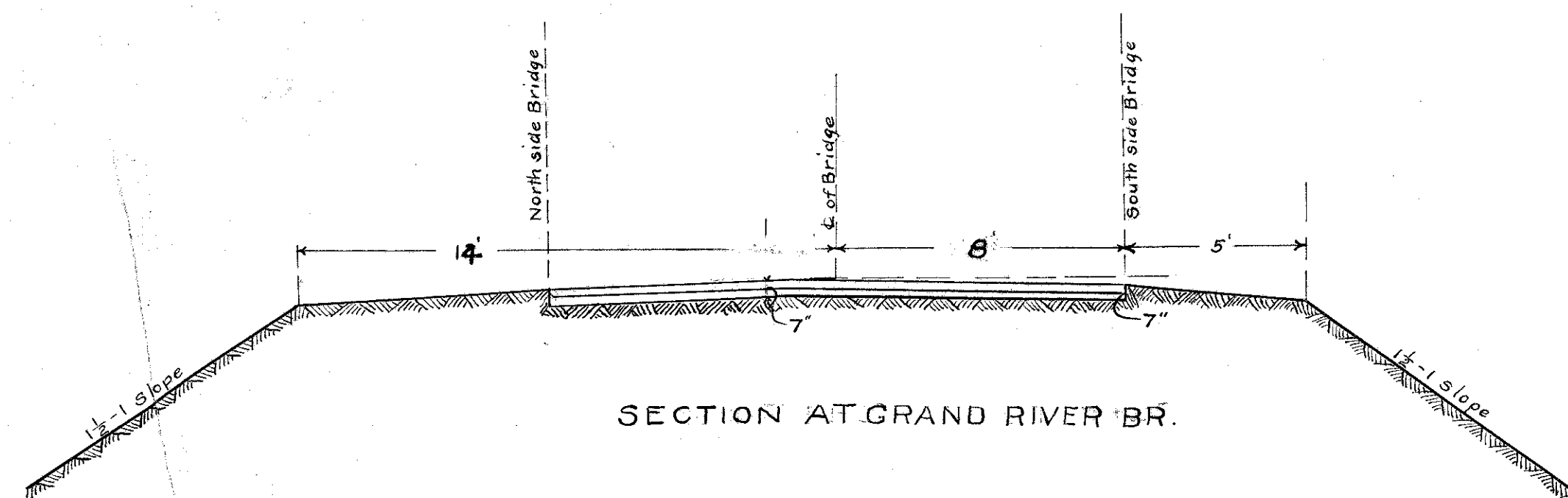
TYPICAL SECTION  
Showing Berms, Ditches etc.



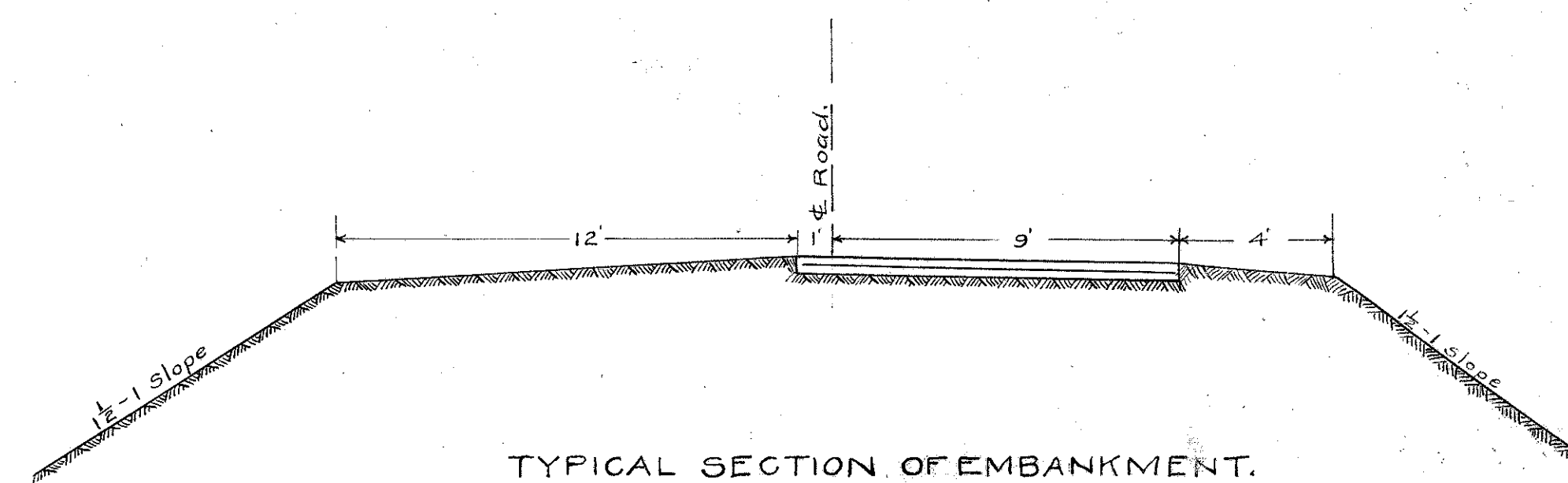
TYPICAL SECTION ON CURVE.



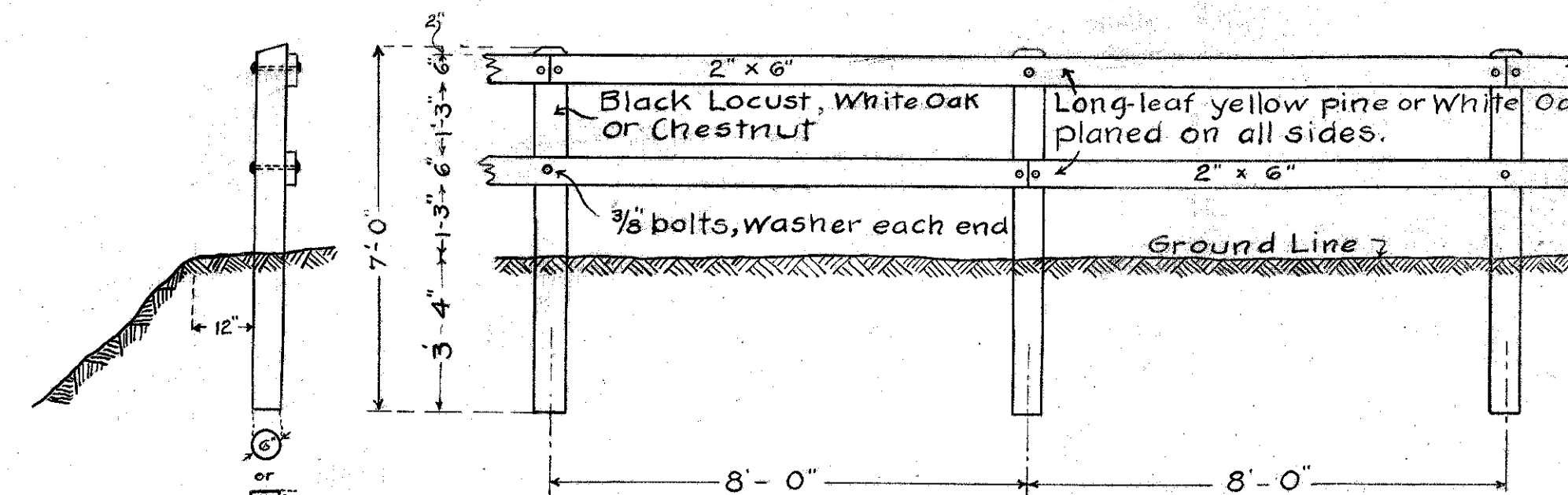
TYPICAL SECTION ON CURVE.



SECTION AT GRAND RIVER BR.



TYPICAL SECTION OF EMBANKMENT.

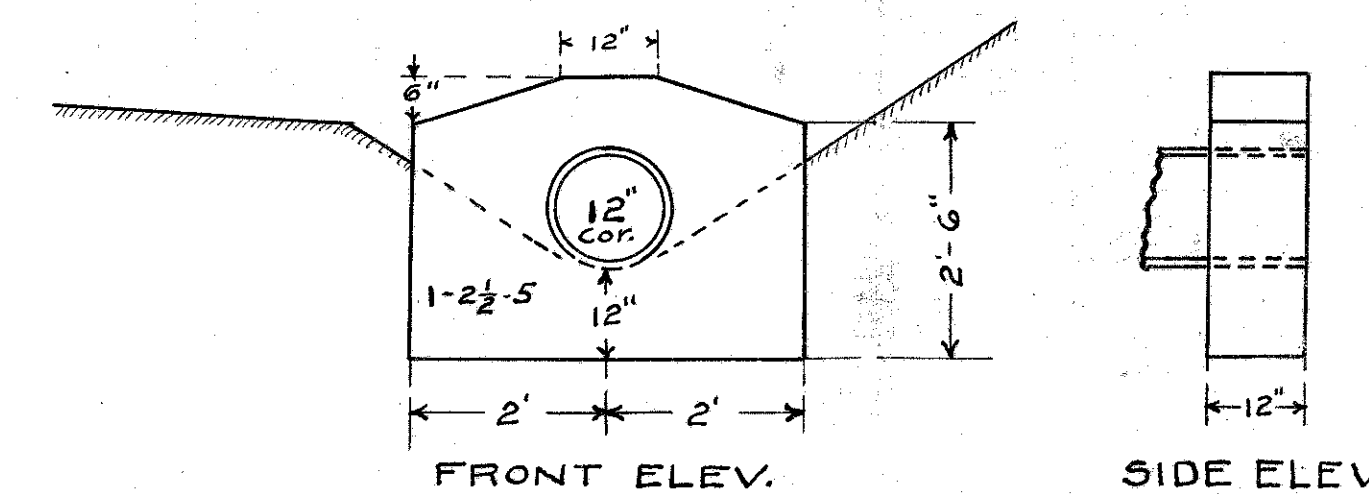


BILL OF MATERIALS  
FOR TWO PANELS

2	Rails	2"	6"	16'
2	Posts	6"	6"	7'
6	Bolts		3/8"	9'
12	Washers		3/8"	

All surfaces in contact to be painted before assembling, and all exposed surfaces to have two (2) coats of white lead and linseed oil paint. Posts to be set vertical, in line parallel to grade line. Top of rail to be parallel to grade line. Posts to be cut at top as shown on plan. Rails to be secured to posts as shown, without splitting.

TYPE-A GUARD RAIL



FRONT ELEV. SIDE ELEV.  
STANDARD CONCRETE HEADWALL  
FOR DRIVEWAYS.