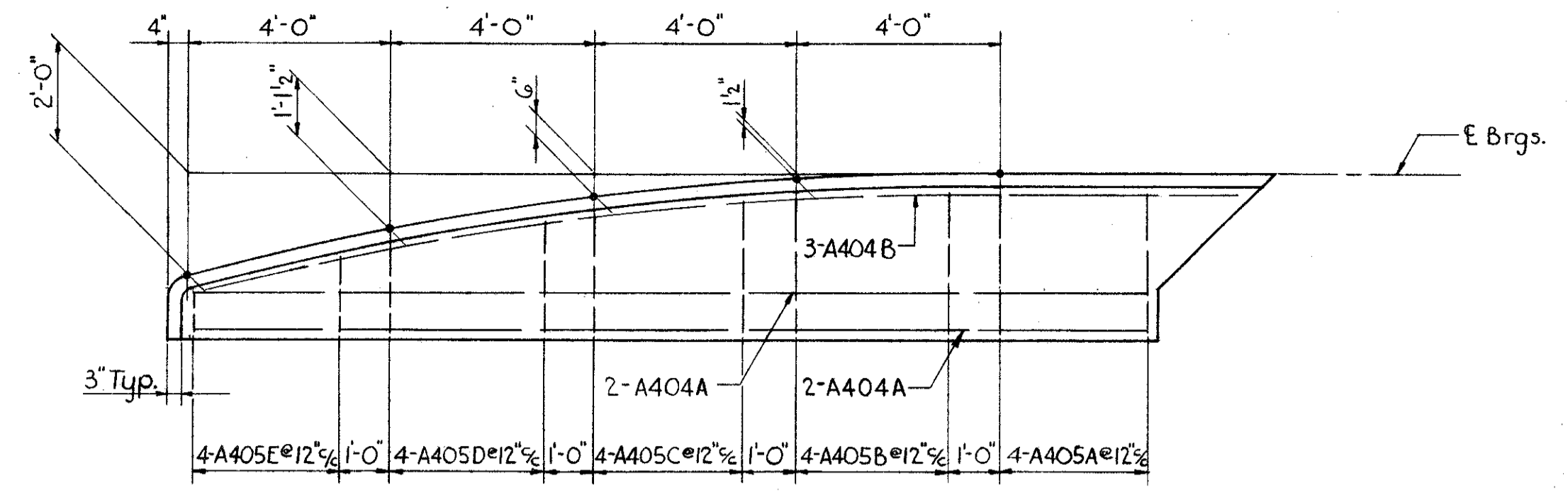


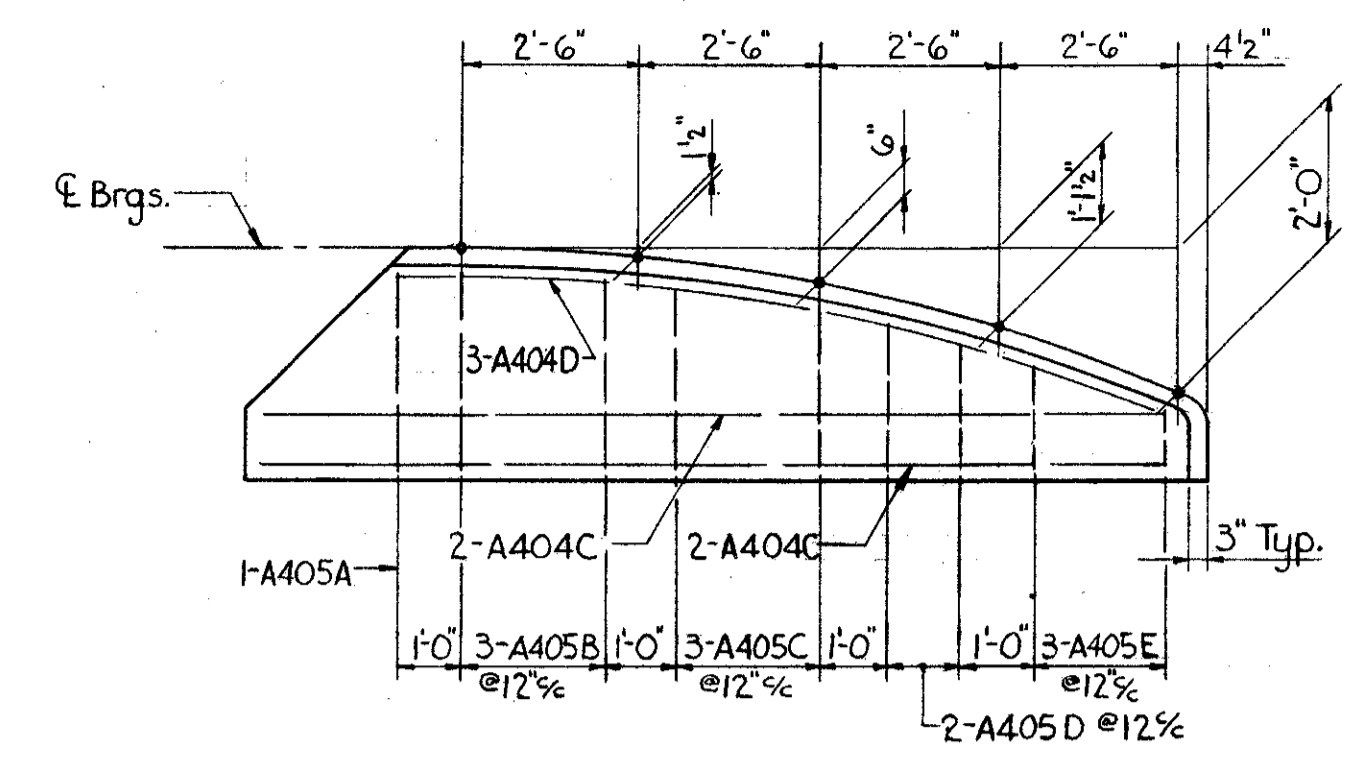
LAKE COUNTY
LAK-44-7.22

NOTES

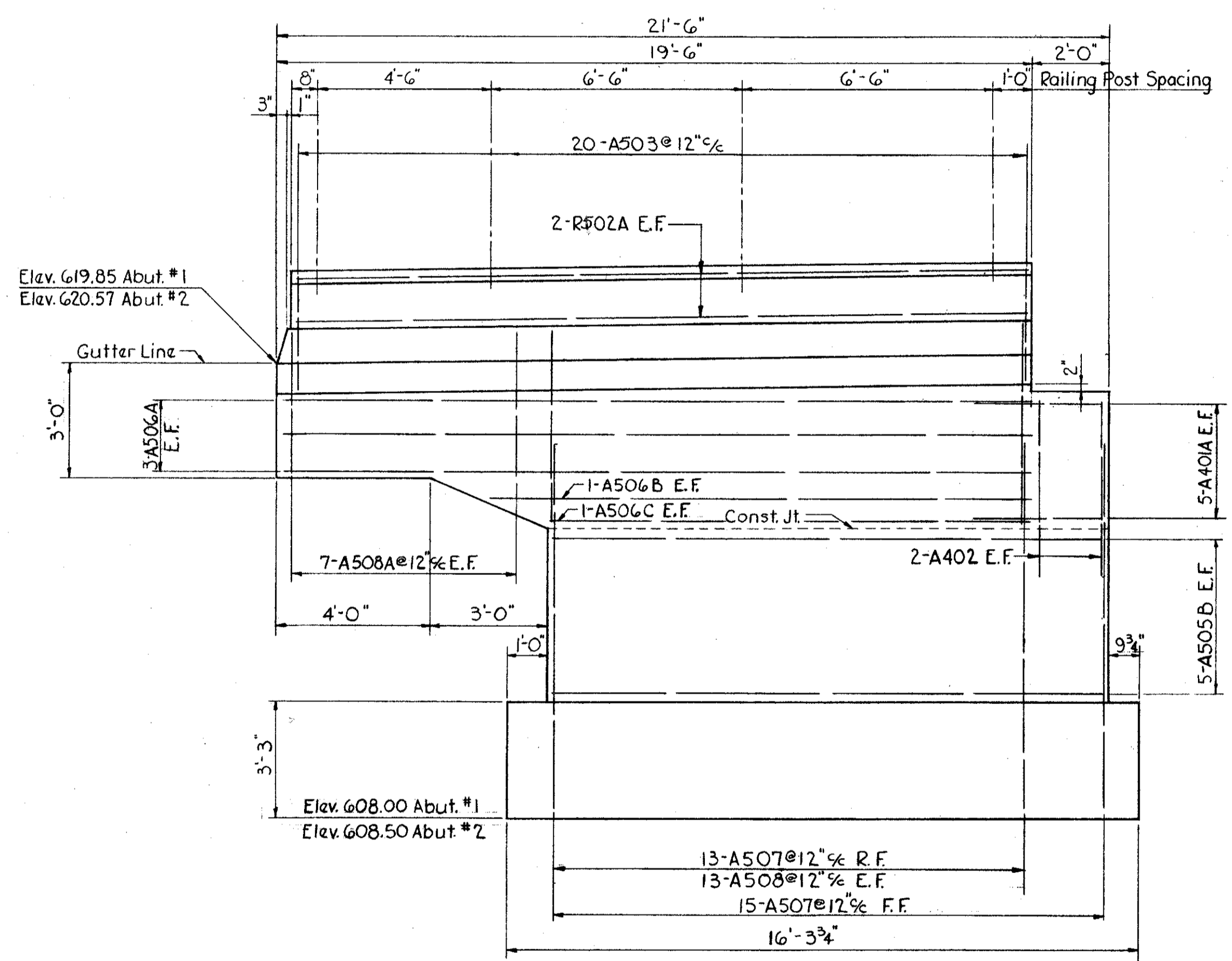
All reinforcing steel shall have 3" of cover in the bottom of the footing and 2" elsewhere.
All piles 12 BP53 steel, design load 40/ton per pile.
All abutment concrete shall be Class "E" except for the railing parapet which shall be Class "C".



CURB DETAILS

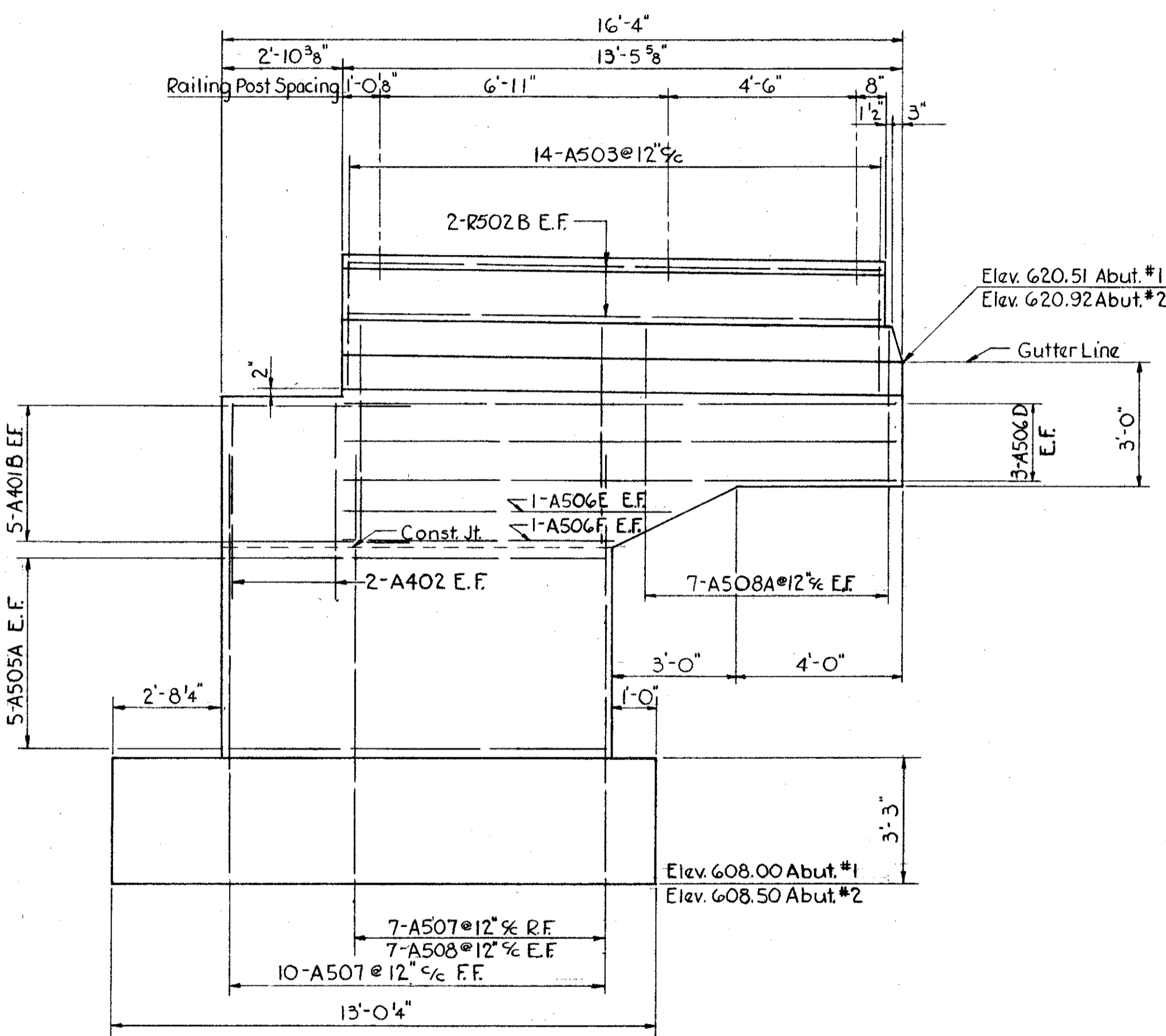


CURB DETAILS

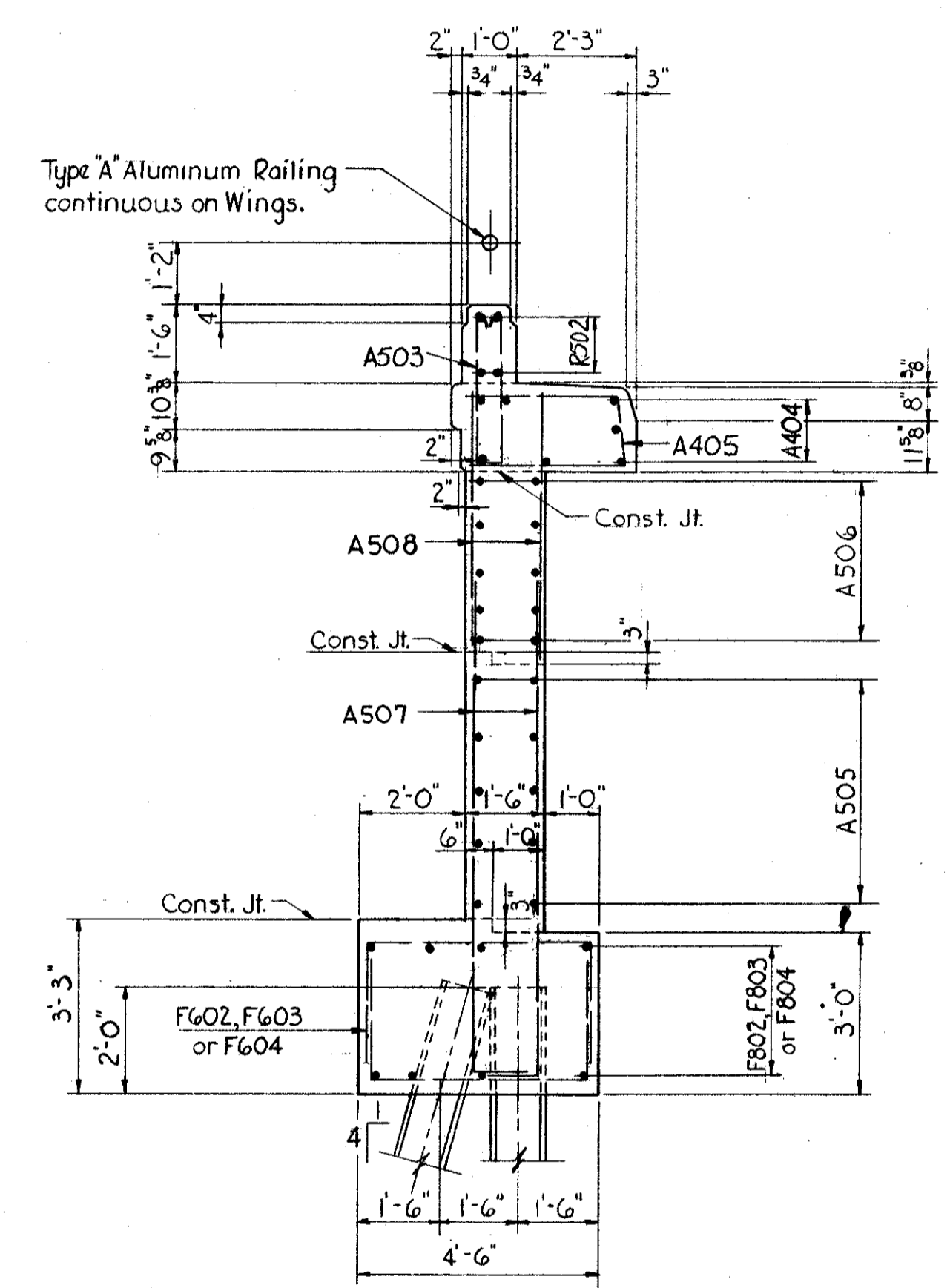


WING A

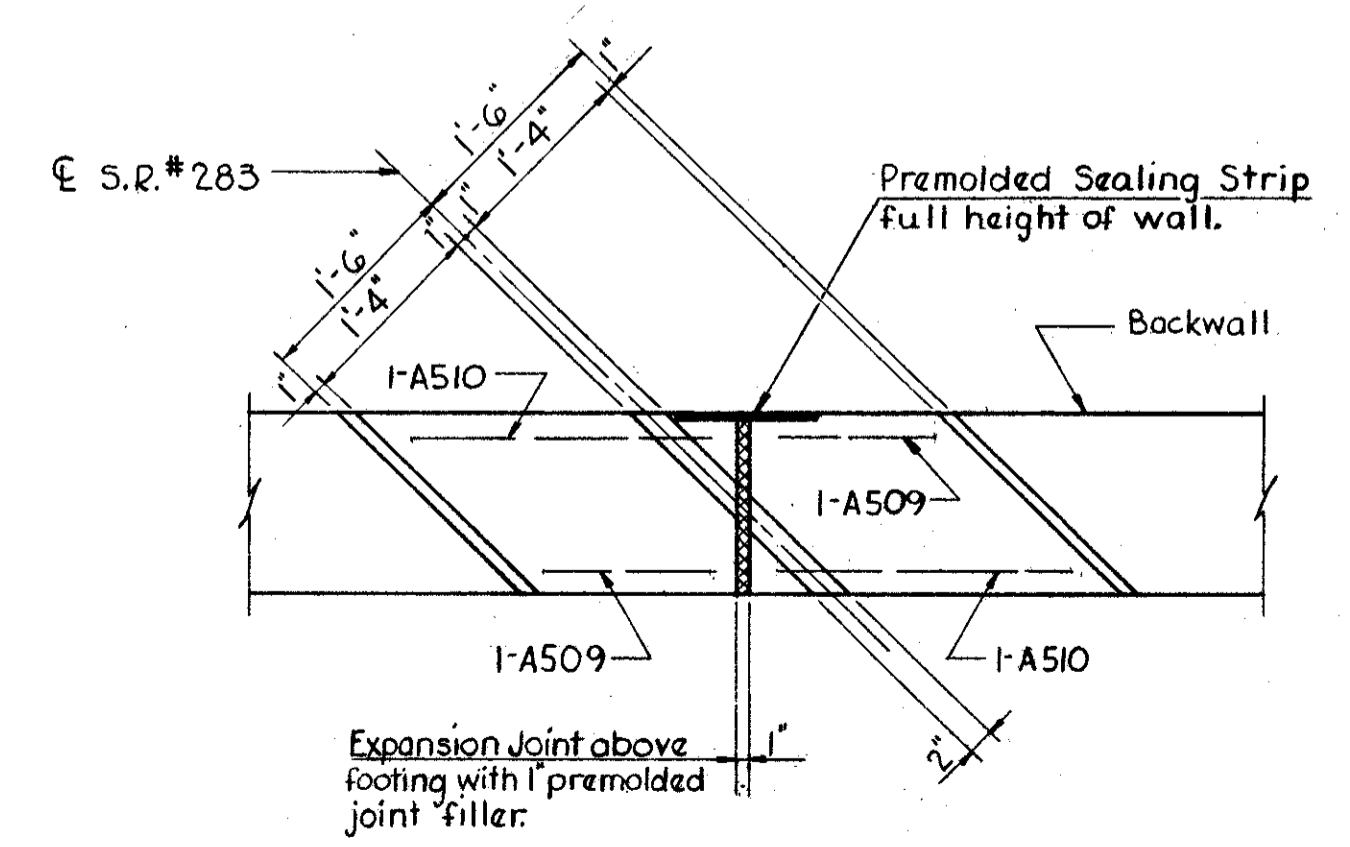
Note:
F.F. indicates Front Face.
R.F. indicates Rear Face.
E.F. indicates Each Face.



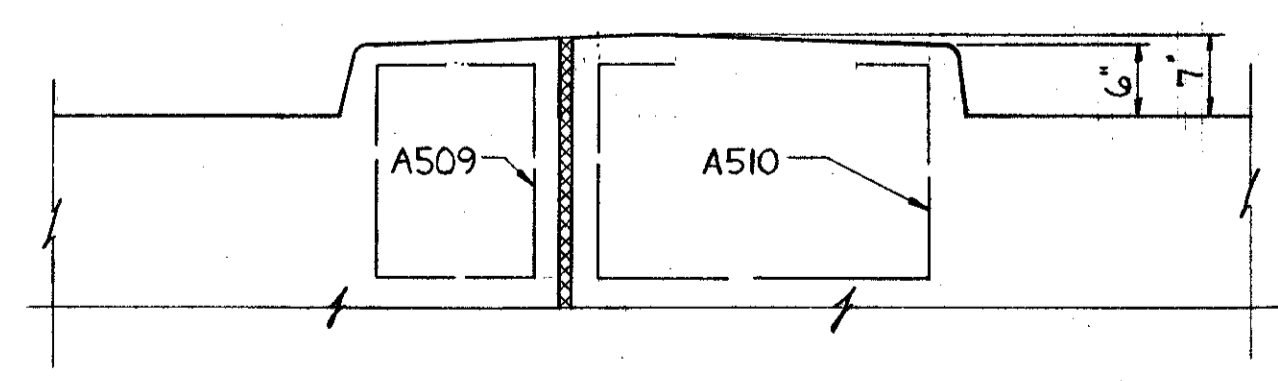
WING B



TYPICAL SECTION



PLAN



ELEVATION

DIVISOR DETAIL @ ABUTMENT BACKWALL

PREPARED BY
CAPITOL ENGINEERING ASSOCIATES, DILLSBURG, PA.
FOR
STATE OF OHIO
DEPARTMENT OF HIGHWAYS
DIVISION OF DESIGN AND CONSTRUCTION
BUREAU OF BRIDGES

ABUTMENT DETAILS
BRIDGE NO. LAK-44-0795
S.R. 44 UNDER S.R. 283,
LAKE COUNTY

STA. 75+63.40

DESIGNED	DRAWN	TRACED	CHECKED	REVIEWED DATE	REVISED
McC	J.E.G.		WCA		