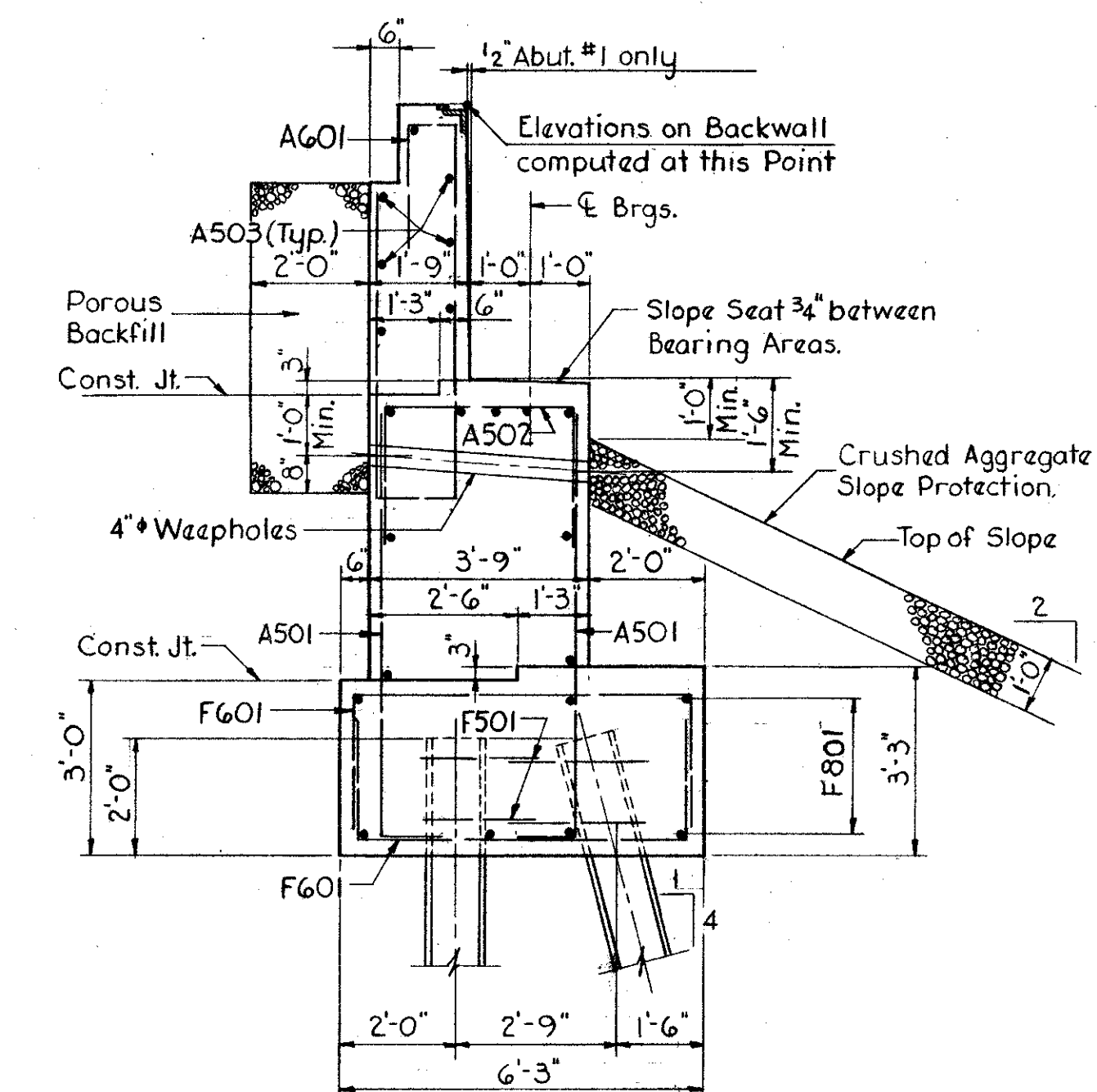
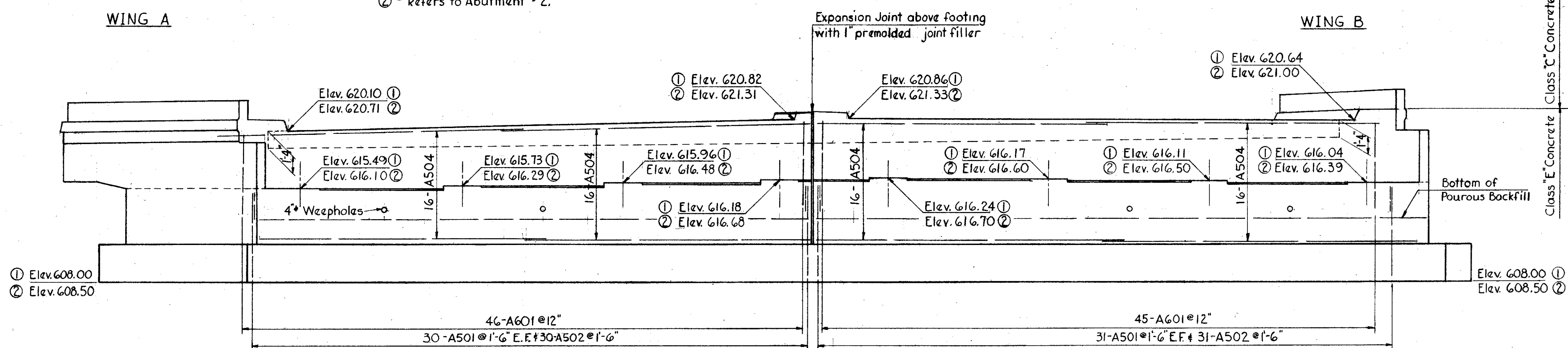


PLAN

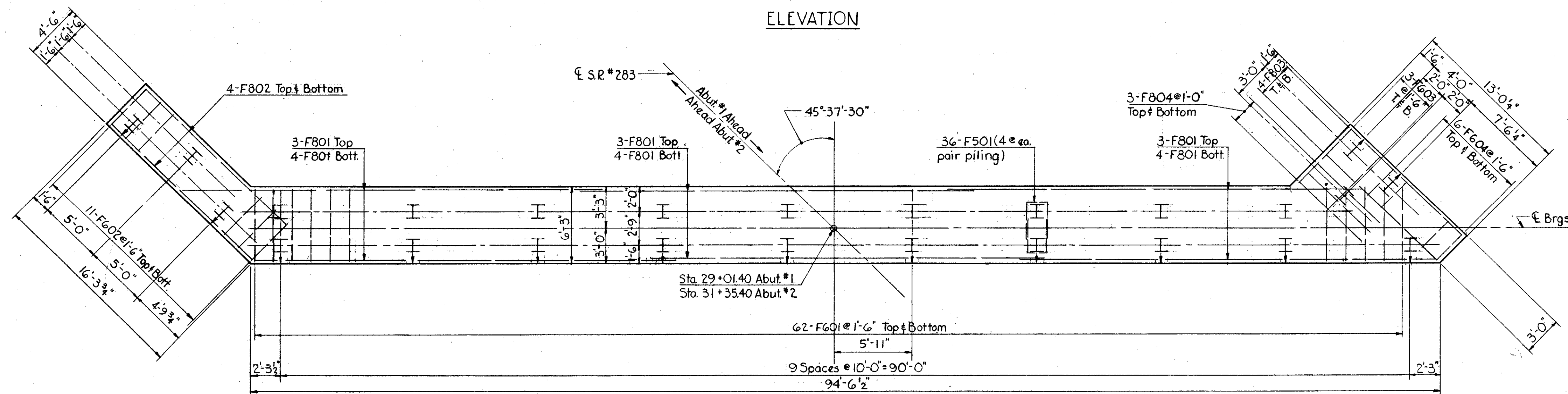
Note: ① - Refers to Abutment #1. ② - Refers to Abutment #2.



SECTION A-A



ELEVATION



PILE LAYOUT - FOOTING REINFORCING

NOTES: All reinforcing steel shall have 3" of cover in the bottom of the footing and 2" elsewhere.

All piles 12B53 steel, design load 40/ton per pile.

I - Indicates vertical pile. T - Indicates battered pile 1:4 and direction of batter.

PREPARED BY CAPITOL ENGINEERING ASSOCIATES, DILLSBURG, PA. FOR STATE OF OHIO DEPARTMENT OF HIGHWAYS DIVISION OF DESIGN AND CONSTRUCTION BUREAU OF BRIDGES ABUTMENTS BRIDGE NO. LAK-44-0795 S.R. 44 UNDER S.R. 283 LAKE COUNTY STA. 75+63.40

Table with 6 columns: DESIGNED, DRAWN, TRACED, CHECKED, REVIEWED DATE, REVISED. Includes initials and dates.