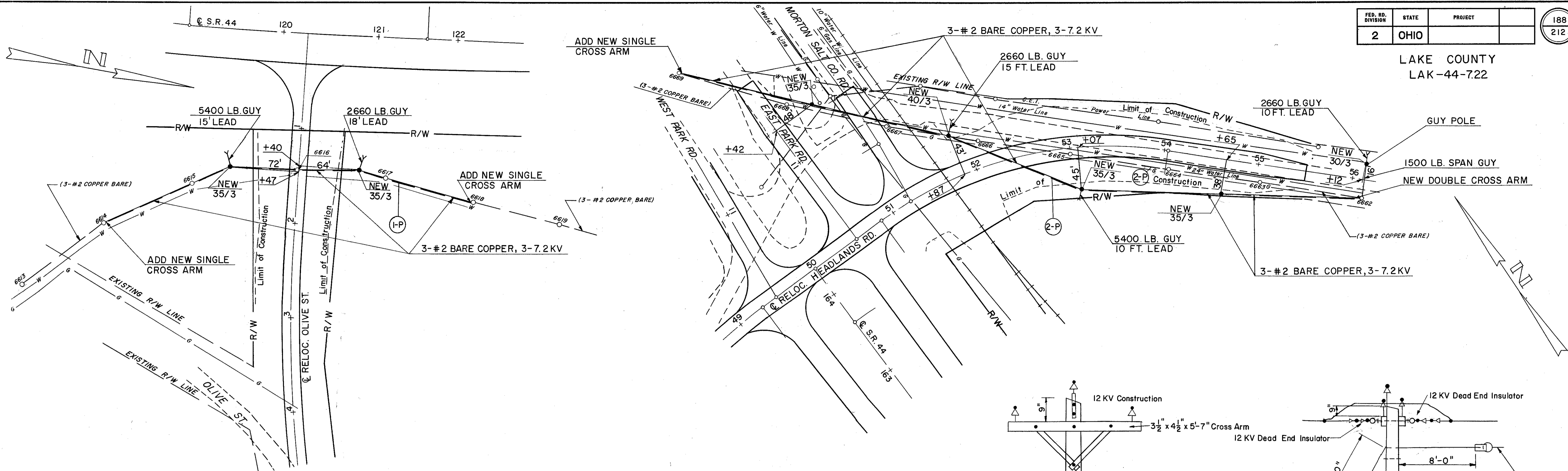
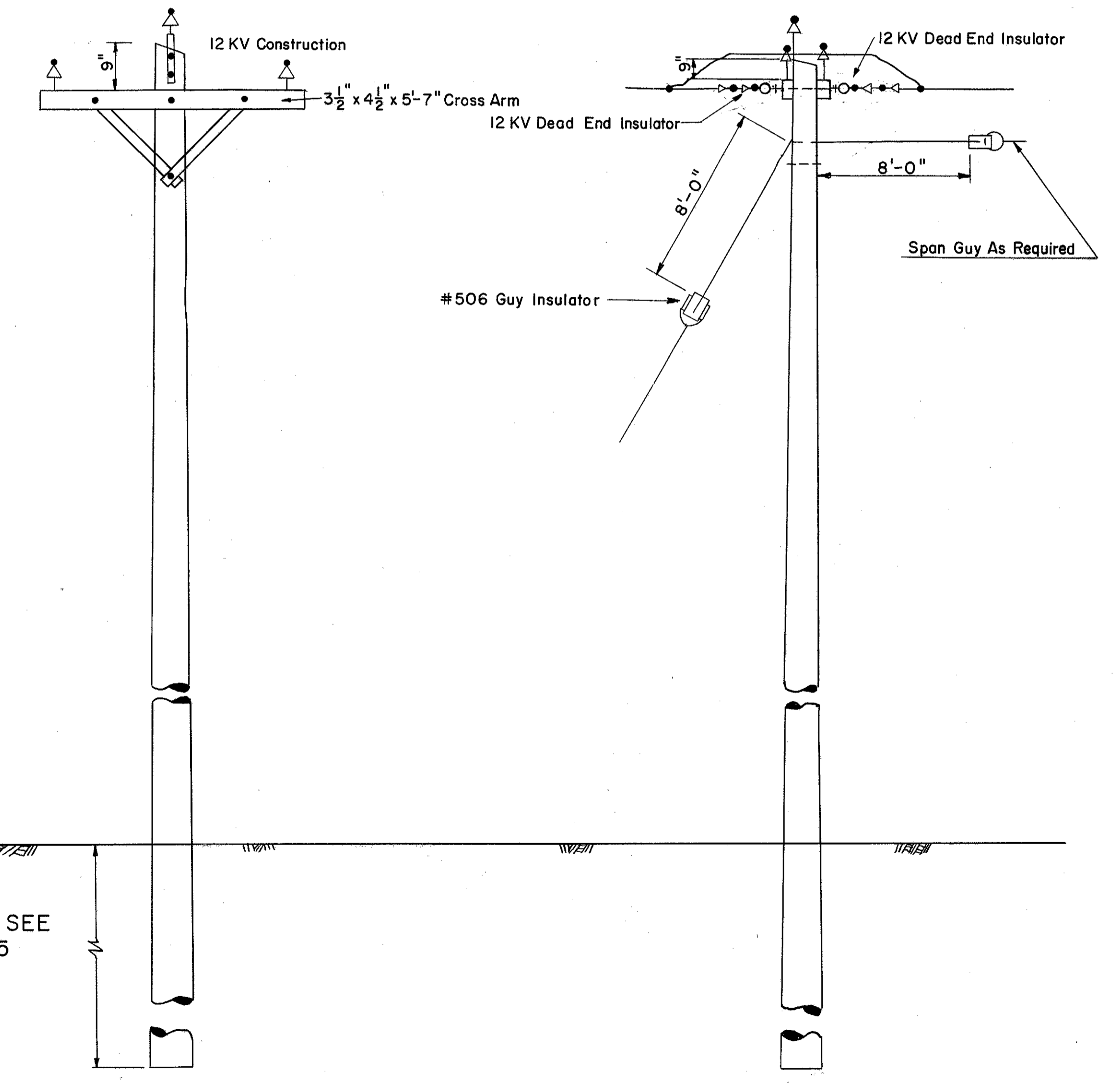


LAKE COUNTY
LAK-44-722



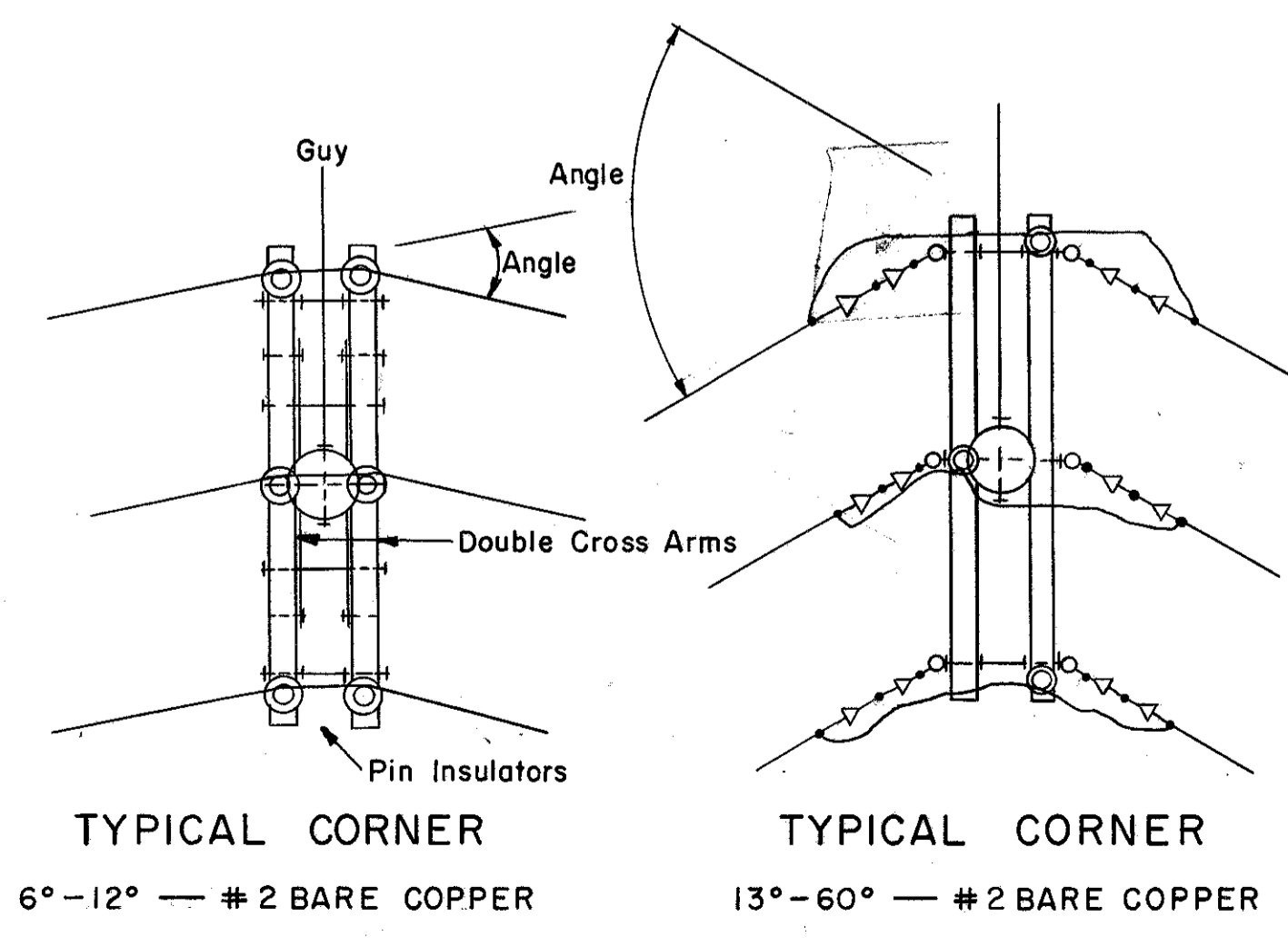
FOR GENERAL NOTES ON POWER ADJUSTMENTS SEE SHEET NO. 15



(P) POWER

REF. NO.	STATION	S-25													
		POLE			CROSS-ARM		GUY			INSULATOR		WIRE	REMOVE EXISTING POLE		
		30' CL.	35' CL.	40' CL.	SINGL	DBL	2660 LB. ANCHOR	5400 LB. ANCHOR	1500 LB. ANCHOR	12 KV PIN	12 KV DEAD-END	#2 BARE COPPER L.F.			
1-P	H-45 Reloc. Olive St.	*			2	2	1			6	18	1245	3		
2-P	52+35 Reloc. Head. Rd.	†	1	3	1	3	3	2		1	35	2240	6		
TOTAL			1	5	1	5	5	3	2		35	21	24	3485	9

* These items at normal project participation
† These items at 100% City of Painesville Expense



All Dead Ends On 12 KV Construction & Corners Over 8°
2-10" Dia. Suspension Insulators

FOR DEPTH SEE SHEET NO. 15