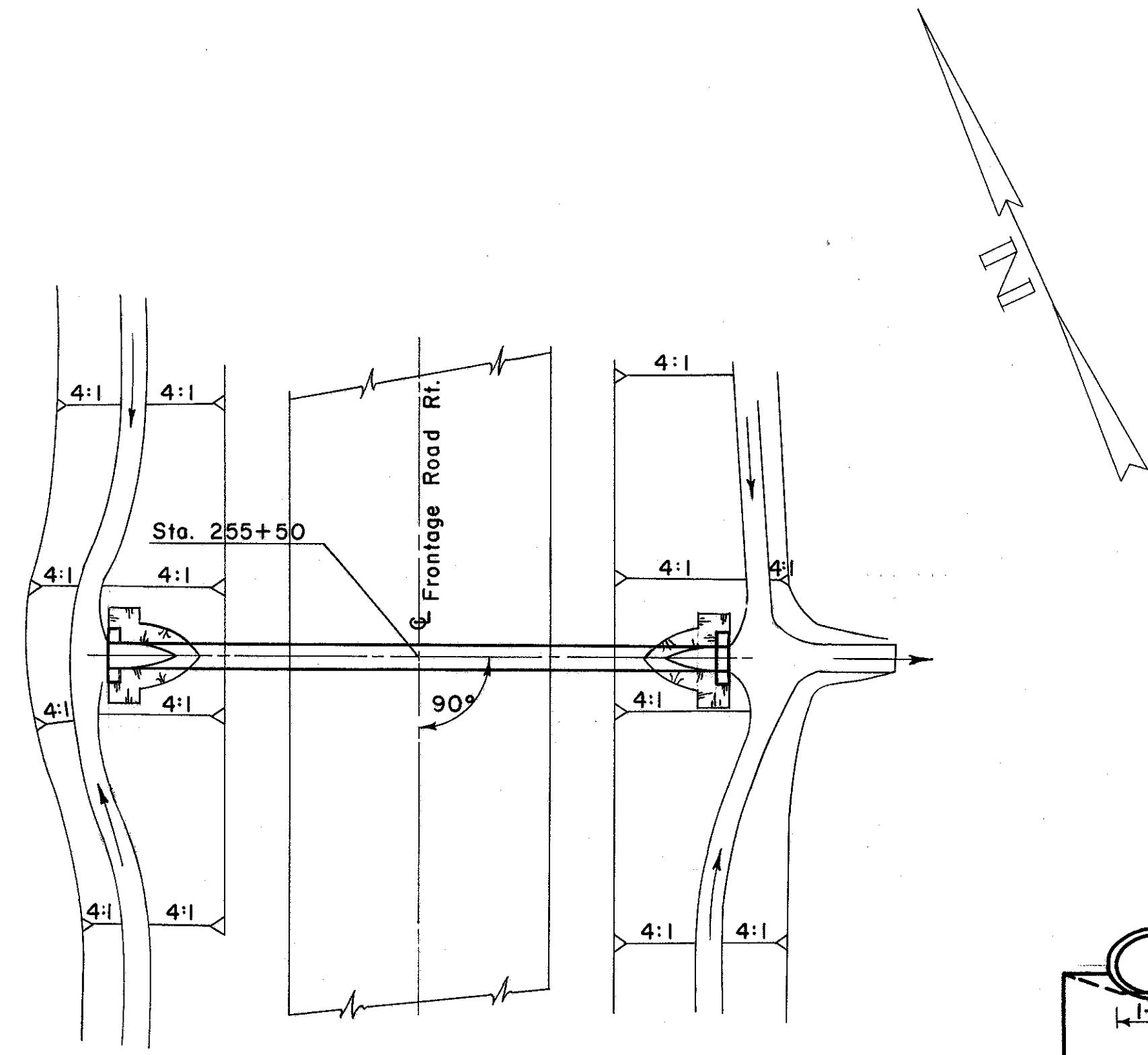
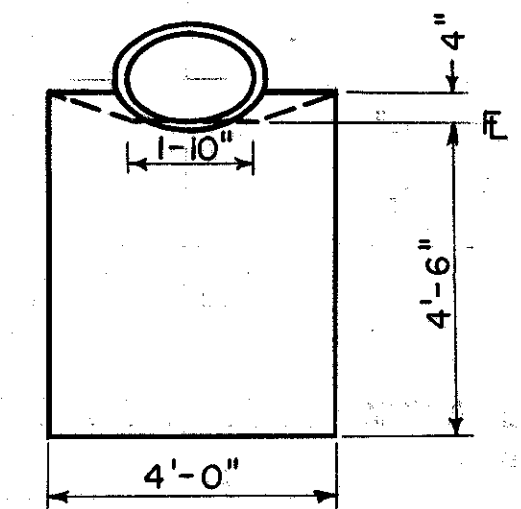


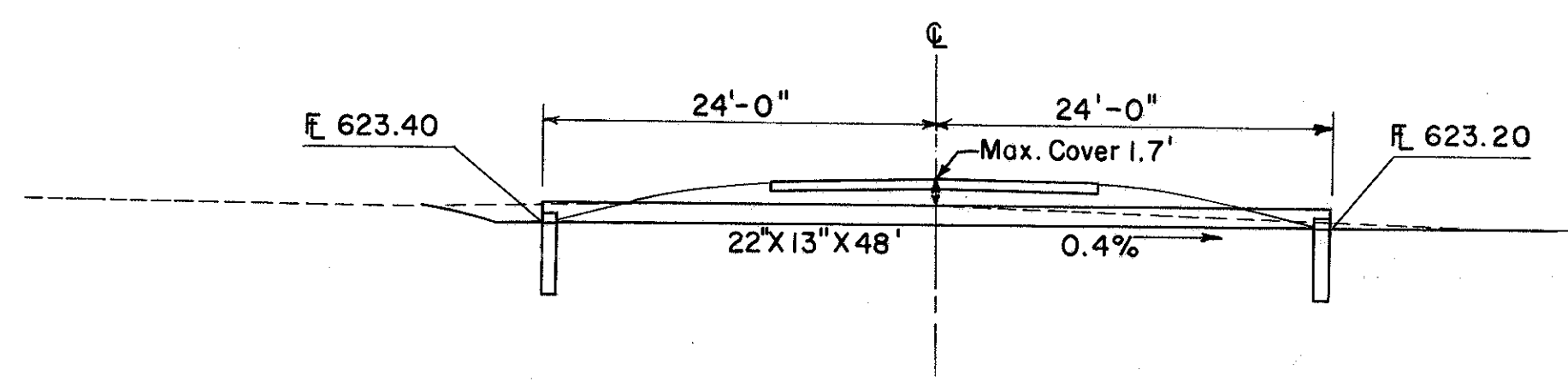
LAKE COUNTY
LAK-44-7.22



AREA = 1.7 ACRES
Q10 = 4.0 C.F.S.



DETAIL OF MOD. STD. TYPE "E" END WALL
For Further Details see Standard Drawing HW-E



CULVERT DATA

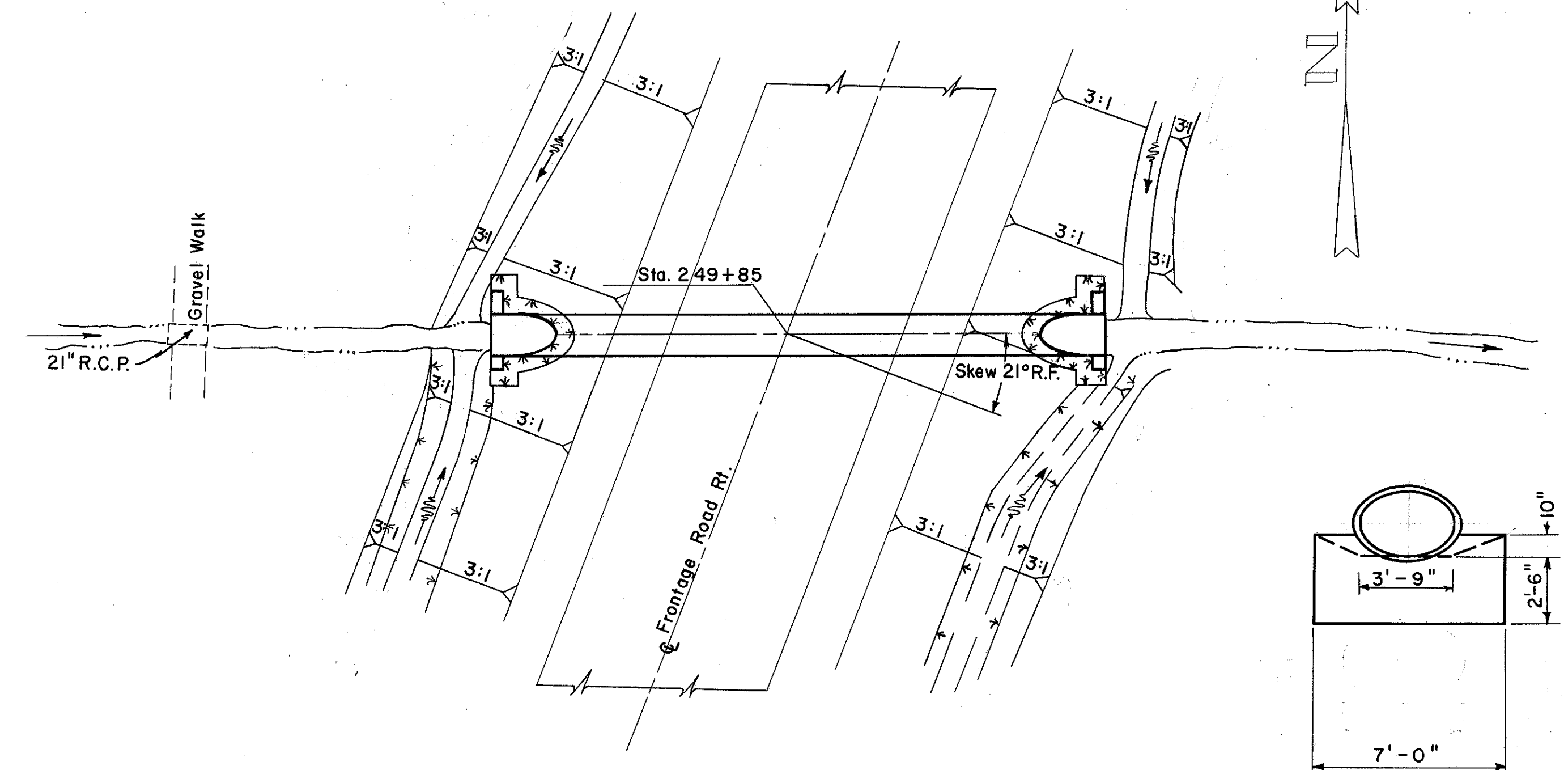
ESTIMATED QUANTITIES

TYPE: I-1 Pipe Class G-1, Sec. M-6.4 (i) & (d), with Mod. Std. Type "E" End walls
 SIZE: 22" X 13" X 48'
 WORK REQUIRED: Build a 22" X 13" Pipe Culvert with Rt. & Lt. Place 18" Sodding Around Endwalls as Shown.

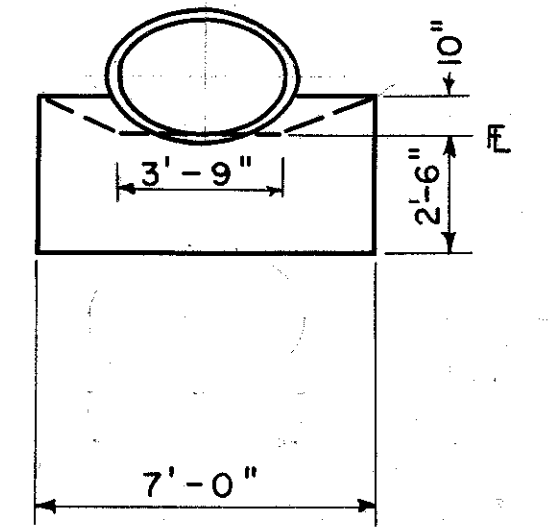
L-10, Sodding	10 S.Y.
I-2 Masonry	1.4 C.Y.
I-1 22" X 13" Pipe Class G-1, Sec. M-6.4 (i) & (d)	48 L.F.

Scale: 1" = 10'

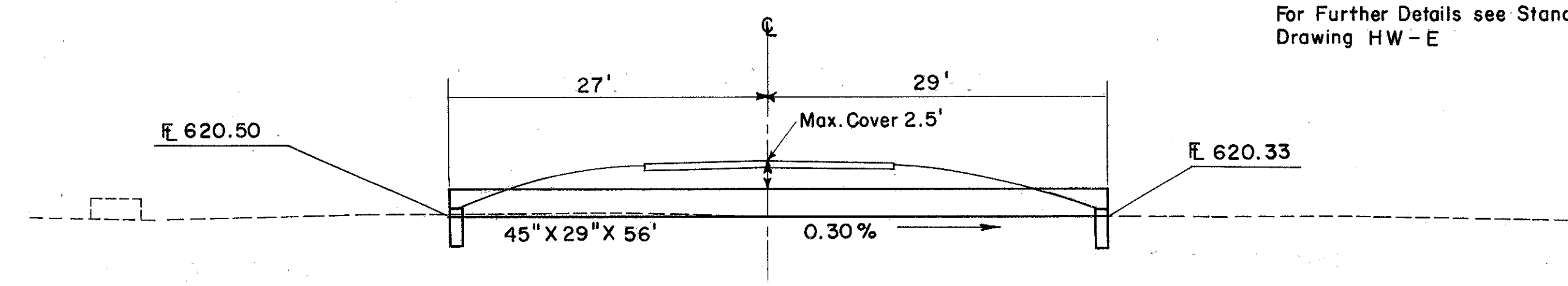
PIPE CULVERT STA. 255+50 FRONTAGE RD. RT.



AREA = 50 ACRES
Q25 = 45 C.F.S.



DETAIL OF MOD. STD. TYPE "E" END WALL
For Further Details see Standard Drawing HW-E



CULVERT DATA

ESTIMATED QUANTITIES

TYPE: I-1 Pipe Class G-1, Sec. M-6.7 (b) with Mod. Std. Type "E" End walls
 SIZE: 45" X 29" X 56'
 WORK REQUIRED: Build a 45" X 29" Pipe Culvert with Mod. Std. Type "E" End walls Rt. & Lt. Place 18" Sodding Around Endwalls as shown.

L-10, Sodding	13 S.Y.
I-2 Masonry	1.5 C.Y.
I-1 45" X 29" Pipe Class G-1, Sec. M-6.7 (b)	56 L.F.

Scale: 1" = 10'

PIPE CULVERT STA. 249+85 FRONTAGE RD. RT.