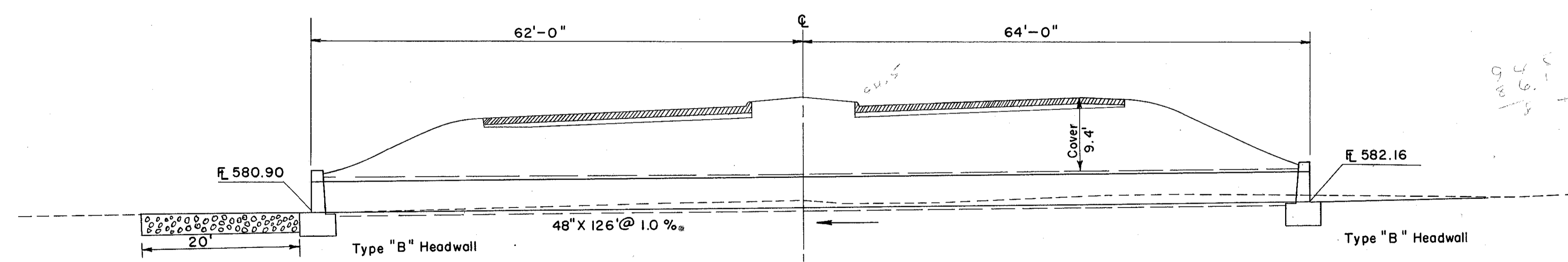


AREA = 220 ACRES
Q25 = 110 C.F.S.

NOTE:
For Quantities and Details of
Headwalls, See Sheet 187



CULVERT DATA

TYPE: I-1 Pipe Class A-1, Sec. M-6.6(b), with Type "B" Headwalls.
 SIZE: 48" x 126'
 WORK REQUIRED: Build a 48" Pipe Culvert with Type "B" Headwalls Rt. & Lt. Place 18" Sodding Behind Headwalls and Excavate Channel on Rt. as Shown.

ESTIMATED QUANTITIES

E-3	Channel Excavation	2 C. Y.
I-1	48" Pipe Class A-1, Sec. M-6.6 (b)	126 L.F.
I-2	Masonry	25.7 C. Y.
I-10	Dumped Rock Channel Protection	30 C. Y.
L-10	Sodding	8 S. Y.

Scale: 1" = 10'