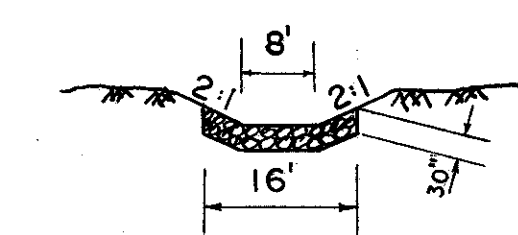
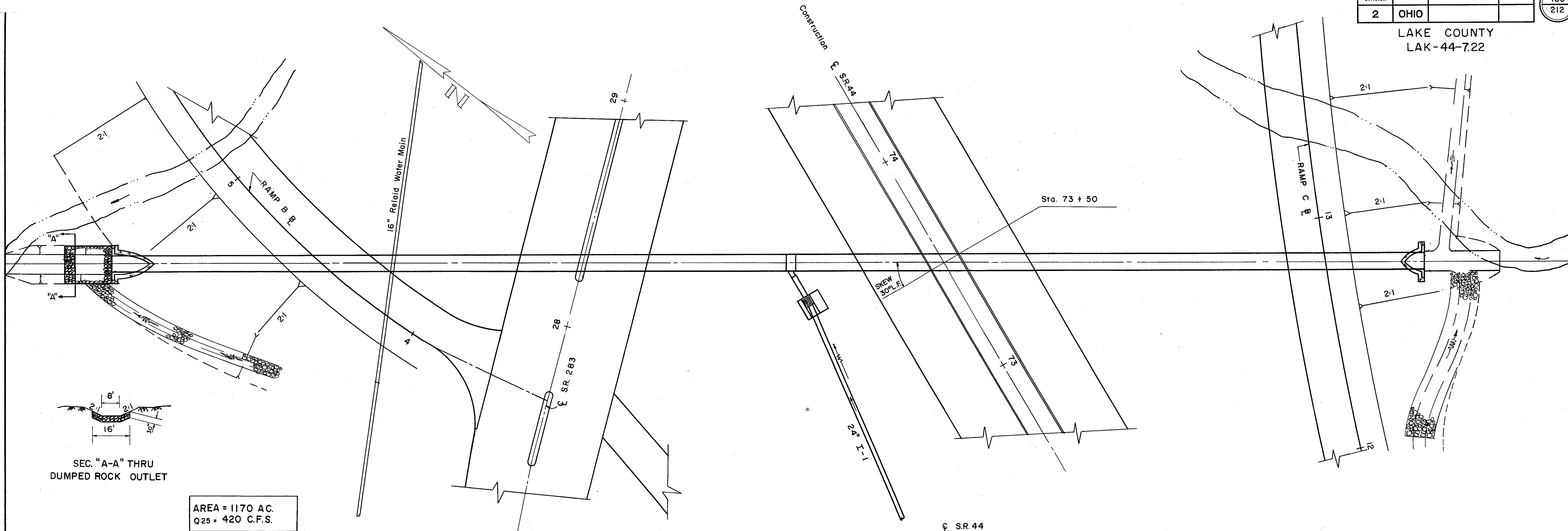


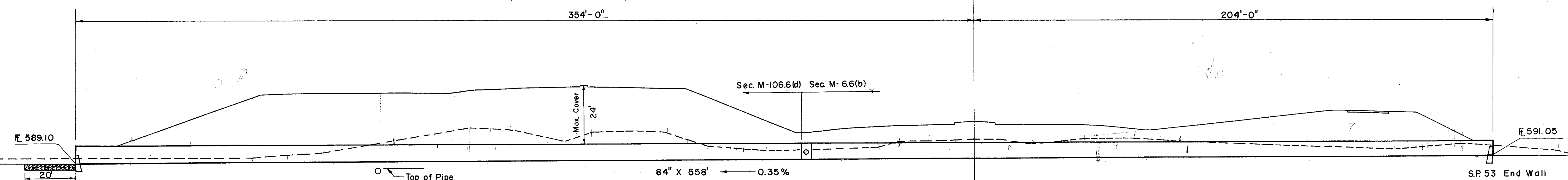
8-H

FED. RD. DIVISION	STATE	PROJECT	180 212
2	OHIO		

LAKE COUNTY
LAK-44-7.22



AREA = 1170 AC.
Q₂₅ = 420 C.F.S.



CULVERT DETAILS

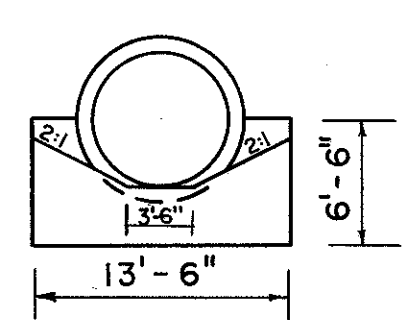
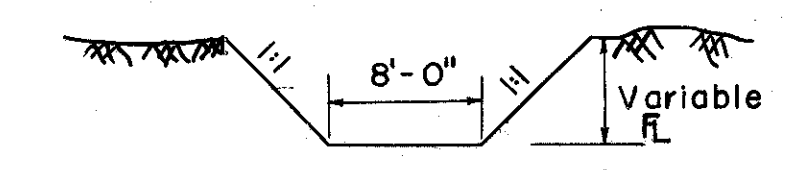
TYPE: I-1 Pipe Class A-1, Sec. M-106.6(d) & M-6.6(b)
S.P. 53 End Walls.

SIZE: 84" x 558'

WORK REQUIRED: Build a 84" Pipe Culvert with S.P. 53 End Walls Rt. & Lt. Place 18" Sodding Around End Walls and Excavate Channel Rt. & Lt. Place Dumped Rock at Outlet as Shown.

ESTIMATED QUANTITIES

E-3	Channel Excavation	50 C.Y.
I-10	Dumped Rock Channel Protection	30 C.Y.
L-10	Sodding	11 S.Y.
I-2	Masonry	7.50 C.Y.
I-1	84" Pipe Class A-1, Sec. M-106.6 (d)	286 L.F.
I-1	84" Pipe Class A-1, Sec. M-6.6 (b)	272 L.F.
I-5	Pipe Special 84"x24"- 60° Wye Sec. M-6.6(b)	1 EA.



END VIEW S.P. 53 END WALL
For Further Details See Std. Drwg.
No. S.P. 53

Scale: 1" = 20'

STRUCTURE NO. LAK-44-0791
PIPE CULVERT STA. 73 + 50