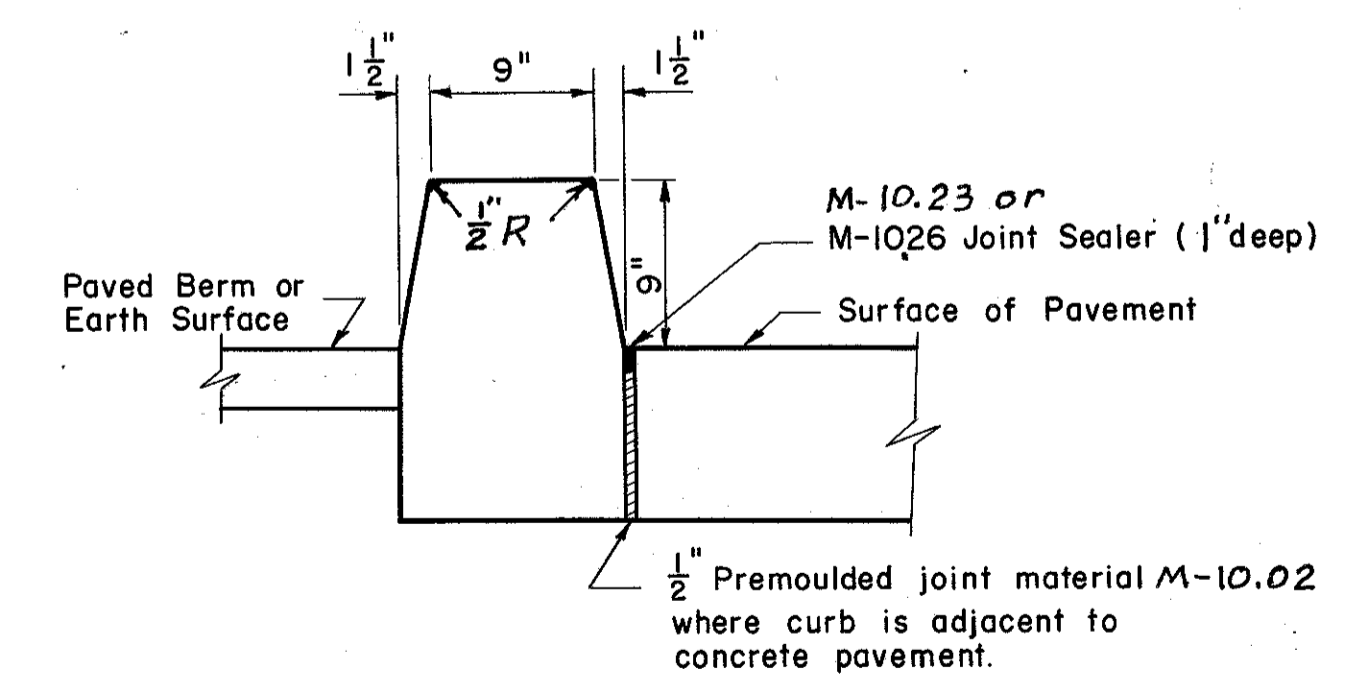
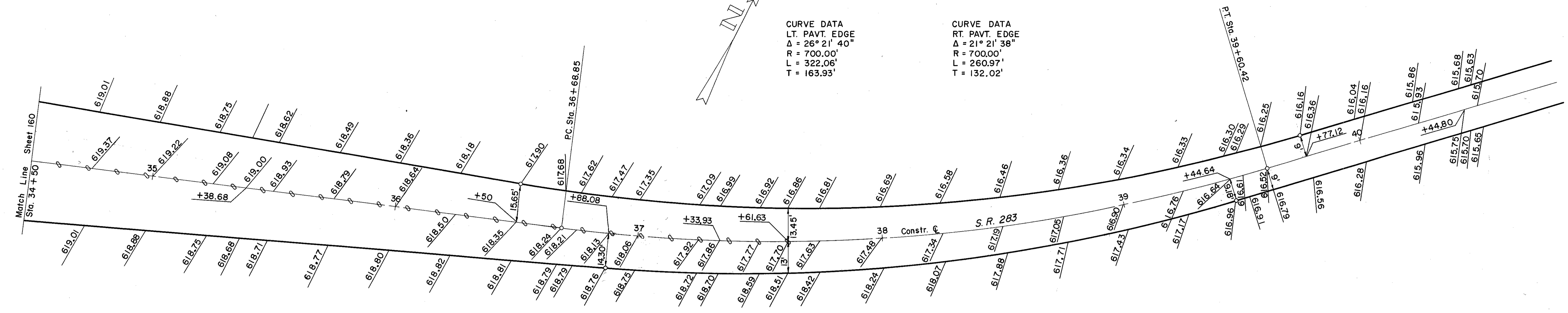


LAKE COUNTY
LAK-44-7.22

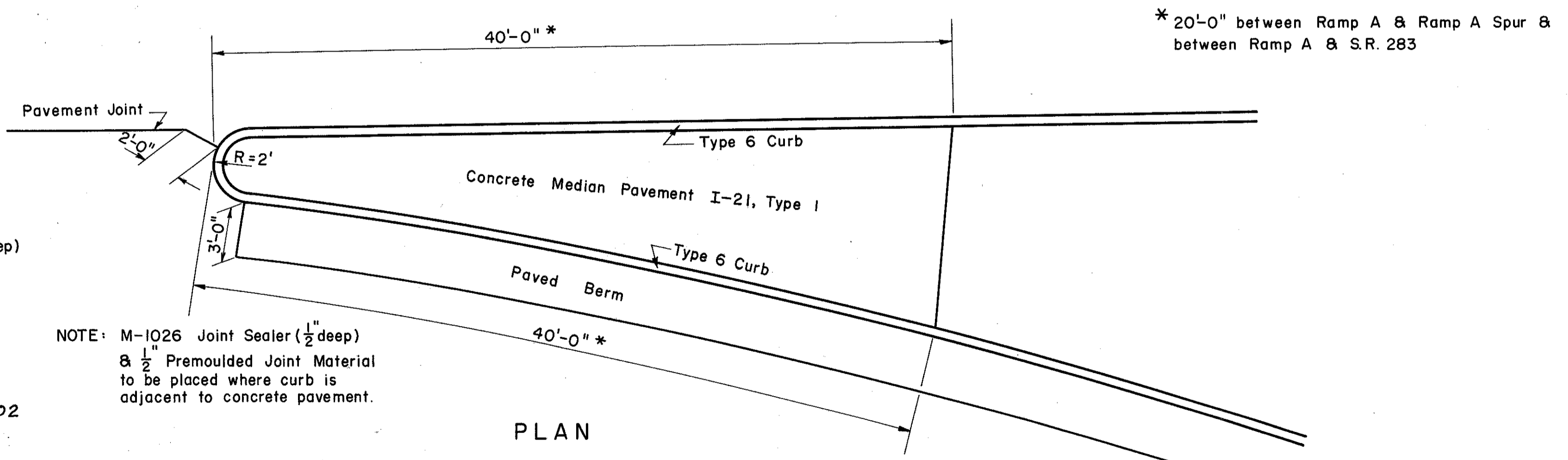
CURVE DATA
P.I. Sta. 38 + 16.78
 $\Delta = 23^\circ 51' 56''$
 $R = 700.00'$
 $L = 291.57'$
 $T = 147.93'$

CURVE DATA
LT. PAVT. EDGE
 $\Delta = 26^\circ 21' 40''$
 $R = 700.00'$
 $L = 322.06'$
 $T = 163.93'$

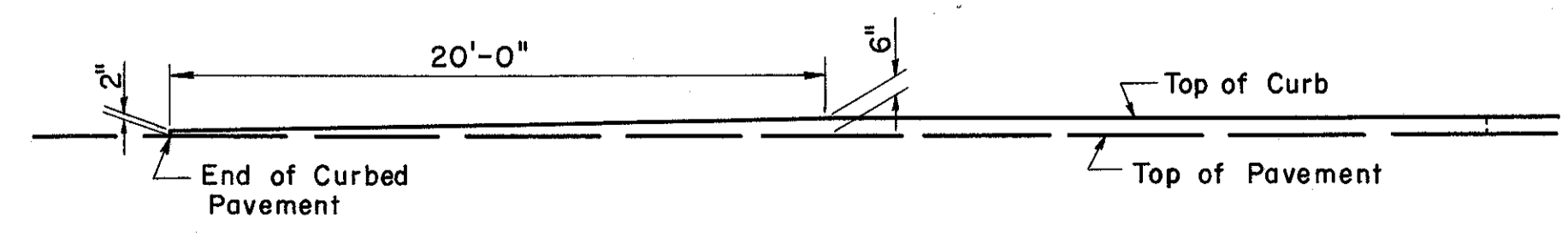
CURVE DATA
RT. PAVT. EDGE
 $\Delta = 21^\circ 21' 38''$
 $R = 700.00'$
 $L = 260.97'$
 $T = 132.02'$



SPECIAL PORTLAND CEMENT
CONCRETE CURB DETAIL



PLAN



ELEVATION

CURBED NOSE DETAIL

S.R. 283 INTERCHANGE
S.R. 283 &
OTHER DETAILS