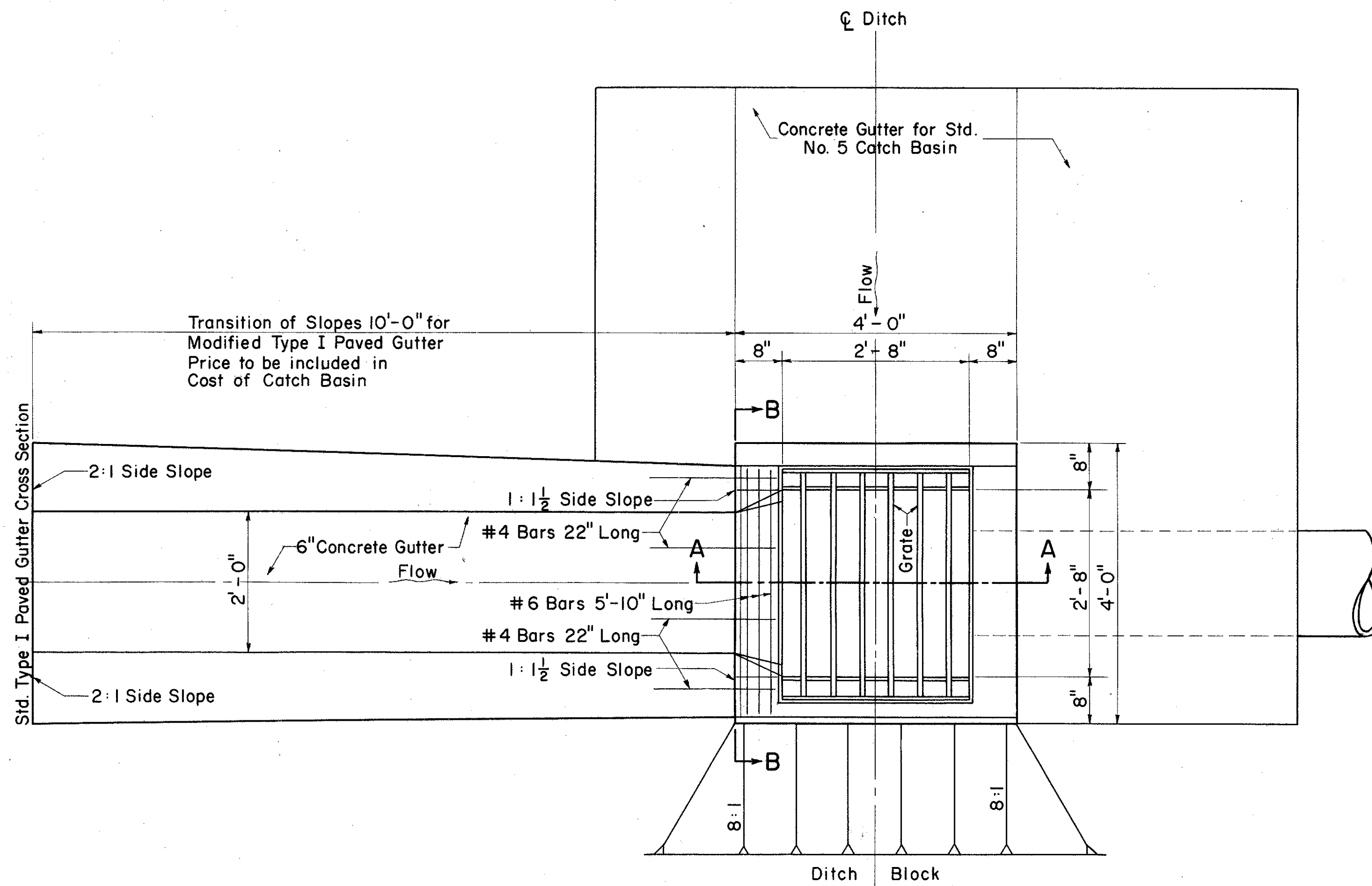


FED. RD. DIVISION	STATE	PROJECT
2	OHIO	

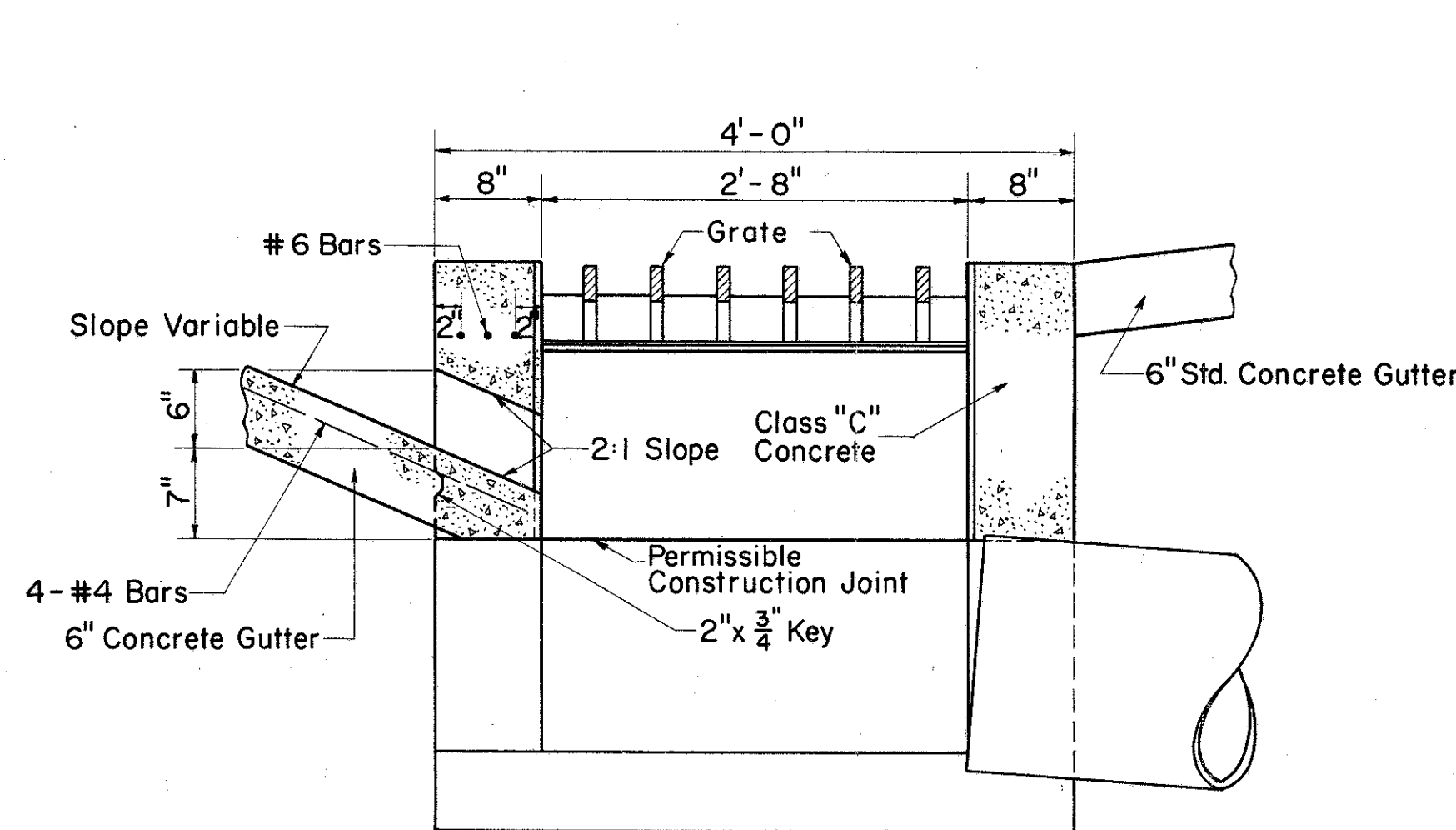
10  
212

LAKE COUNTY  
LAK-44-722

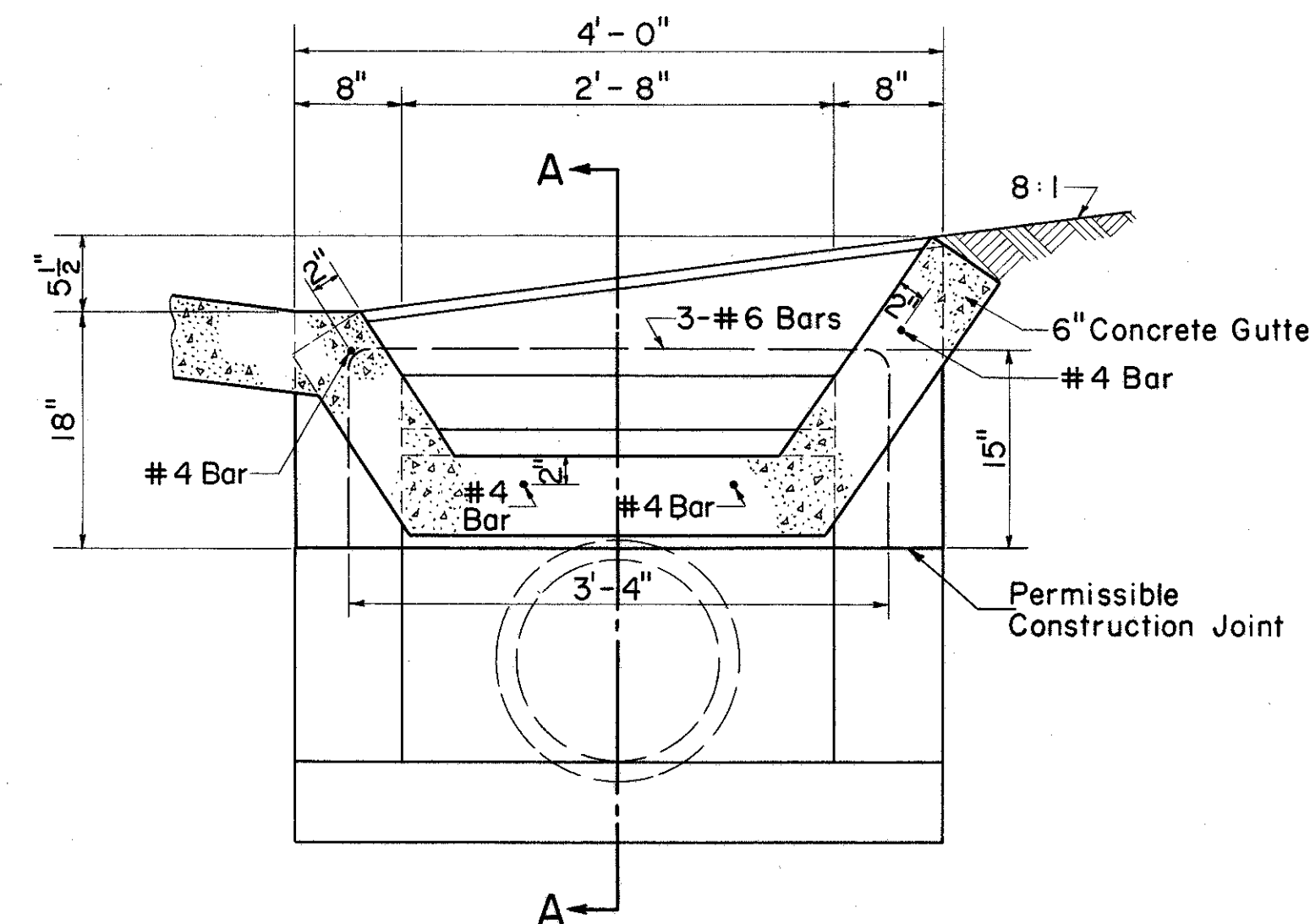


PLAN

NOTE:  
Unless otherwise shown, Details and Notes shall conform to STANDARD DRAWING NO. I-8 C.B. No. 5.

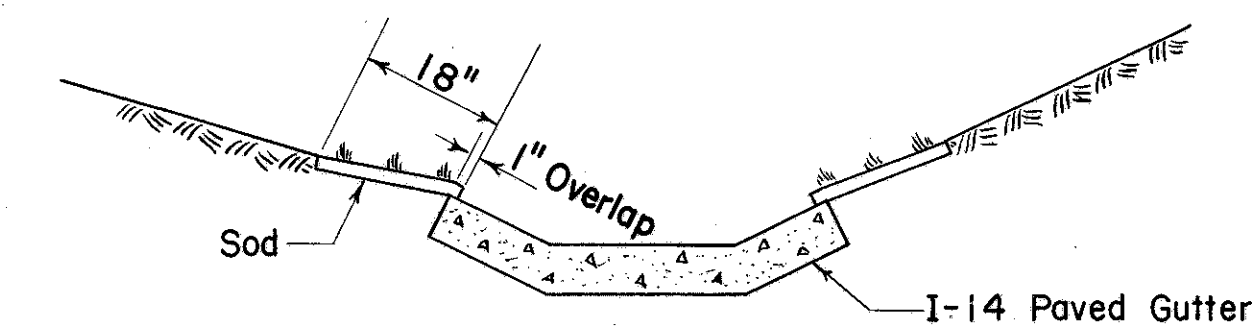


SECTION A-A

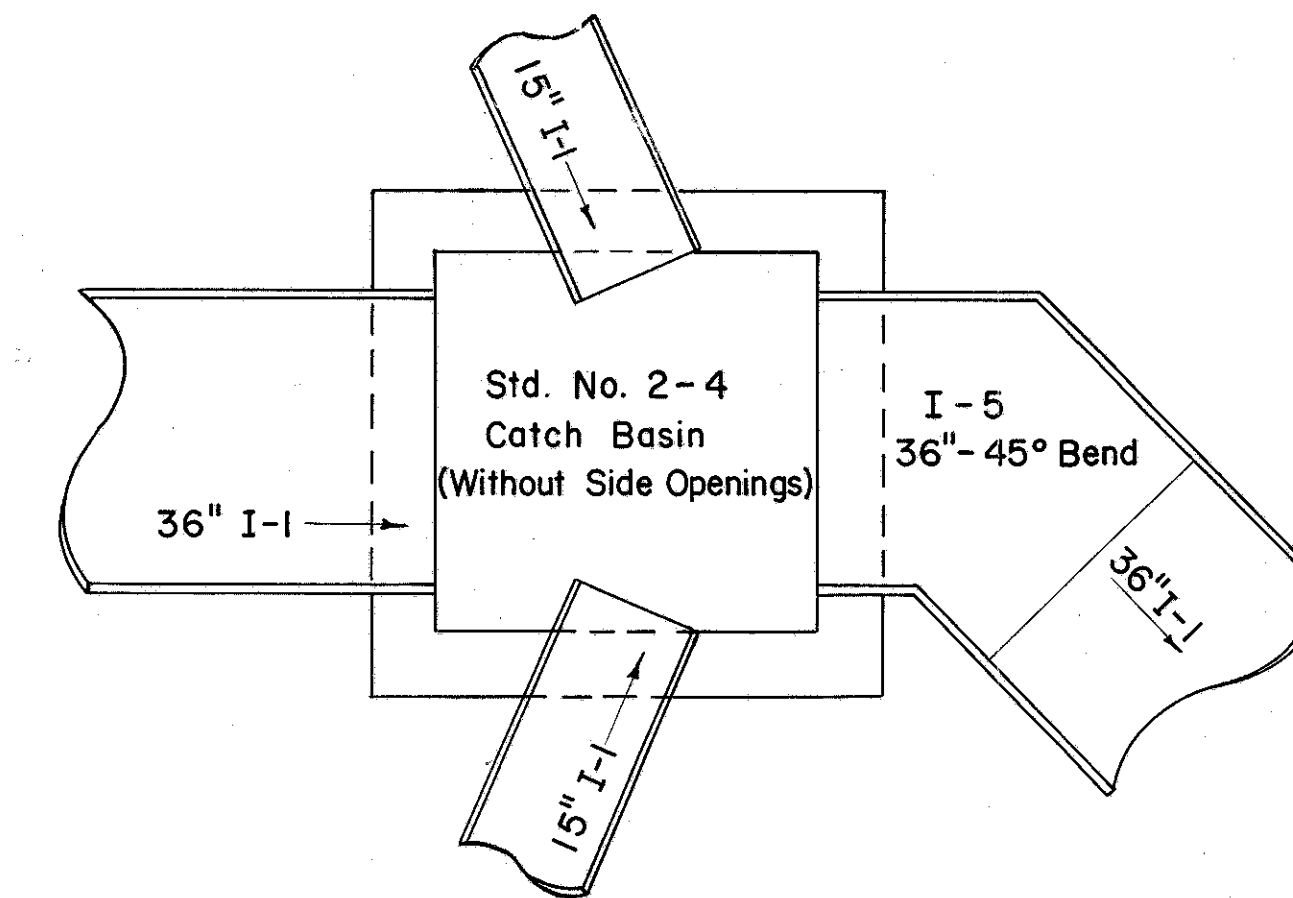


SECTION B-B

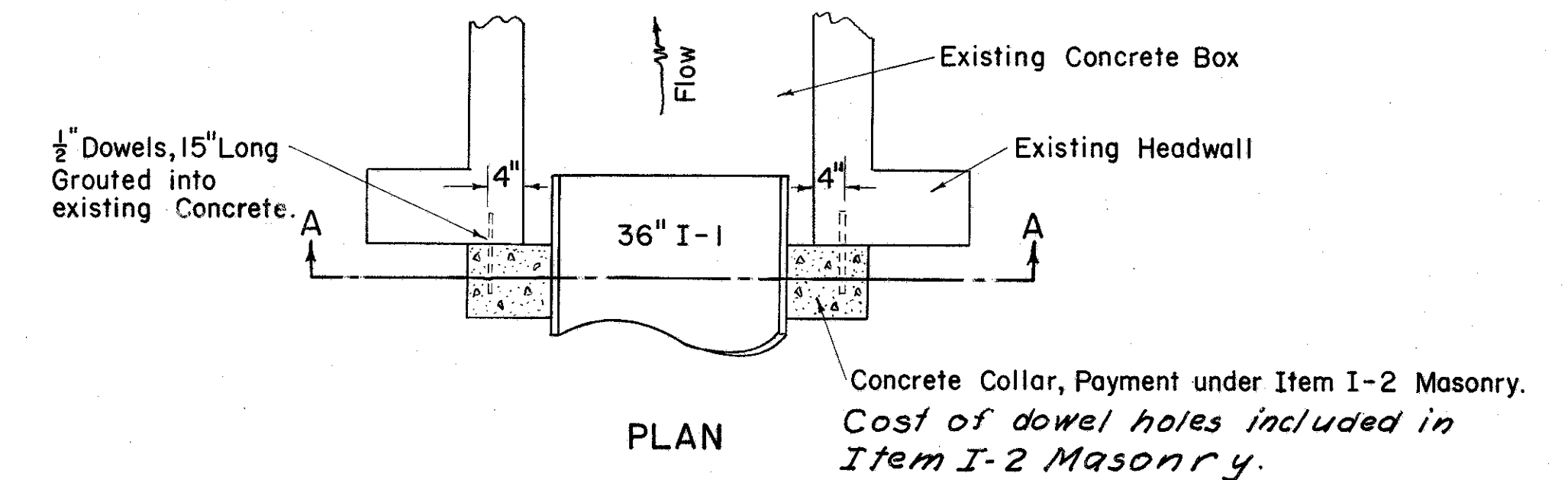
MODIFIED STANDARD NO. 5 CATCH BASIN  
WITH MODIFIED TYPE I PAVED GUTTER



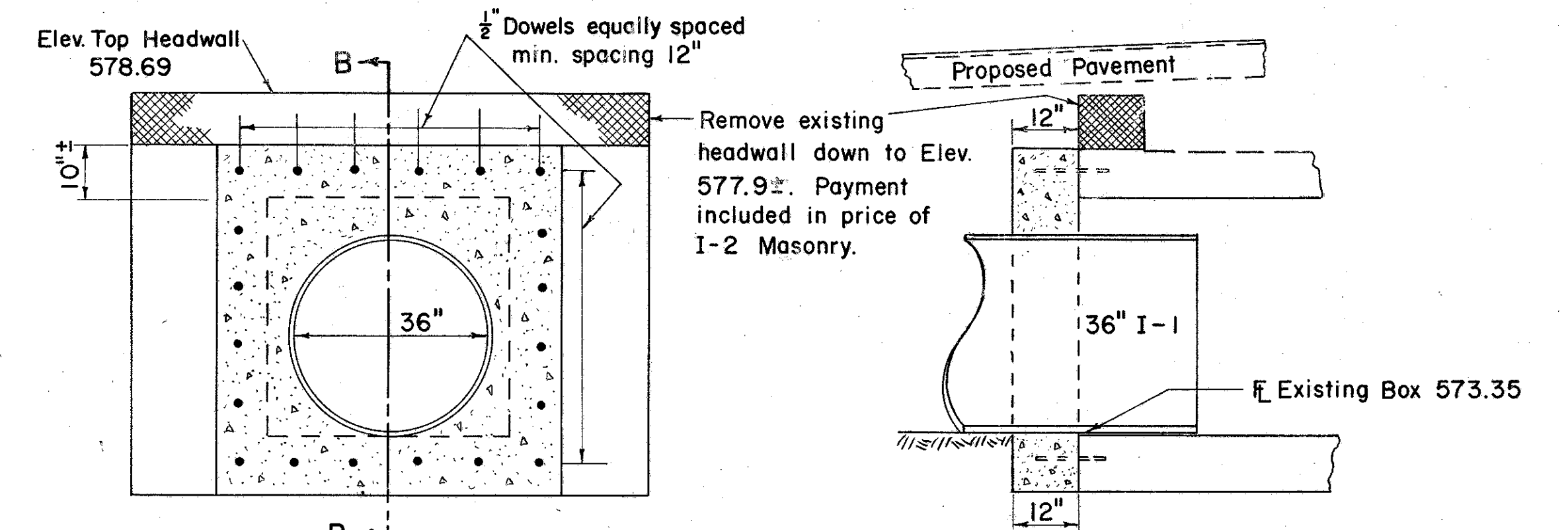
DETAIL OF SOD STRIP ALONG PAVED GUTTER



DETAIL OF CONNECTIONS AT STD. NO. 2-4 C.B.  
69 LT. STA. 51+00 HEADLANDS ROAD RELOC.



PLAN



SECTION A-A

SECTION B-B

DETAIL OF 36" I-1 PIPE CONNECTION TO EXISTING CONCRETE BOX CULVERT  
AT STATION 0+90 RECONSTR. MORTON SALT COMPANY ROAD