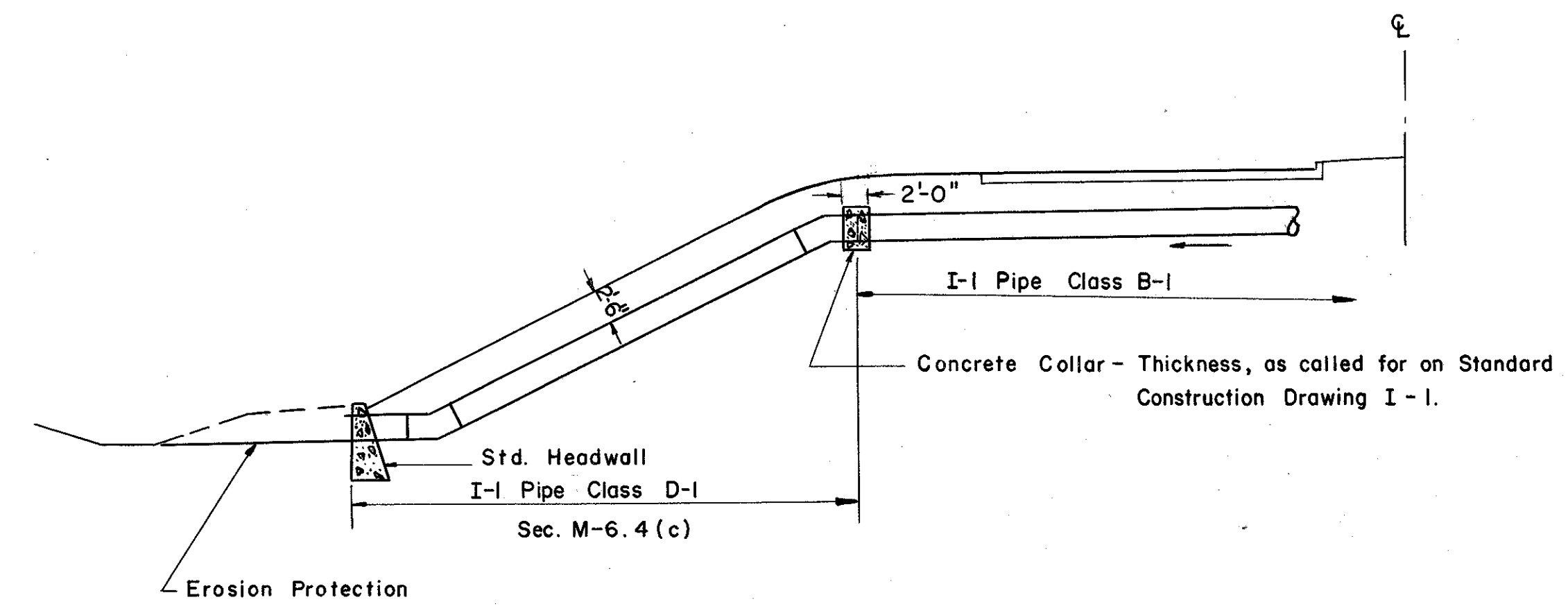
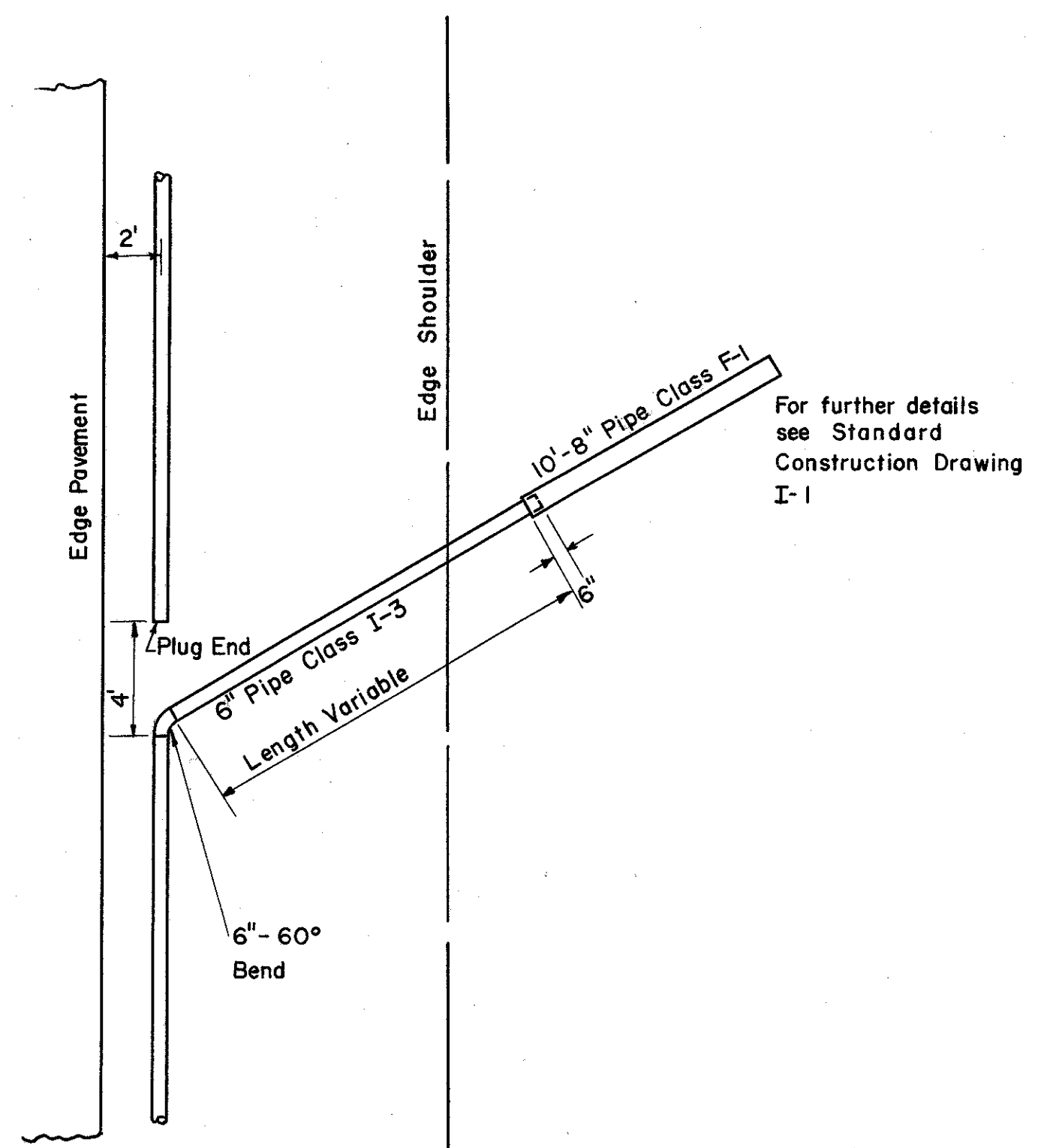


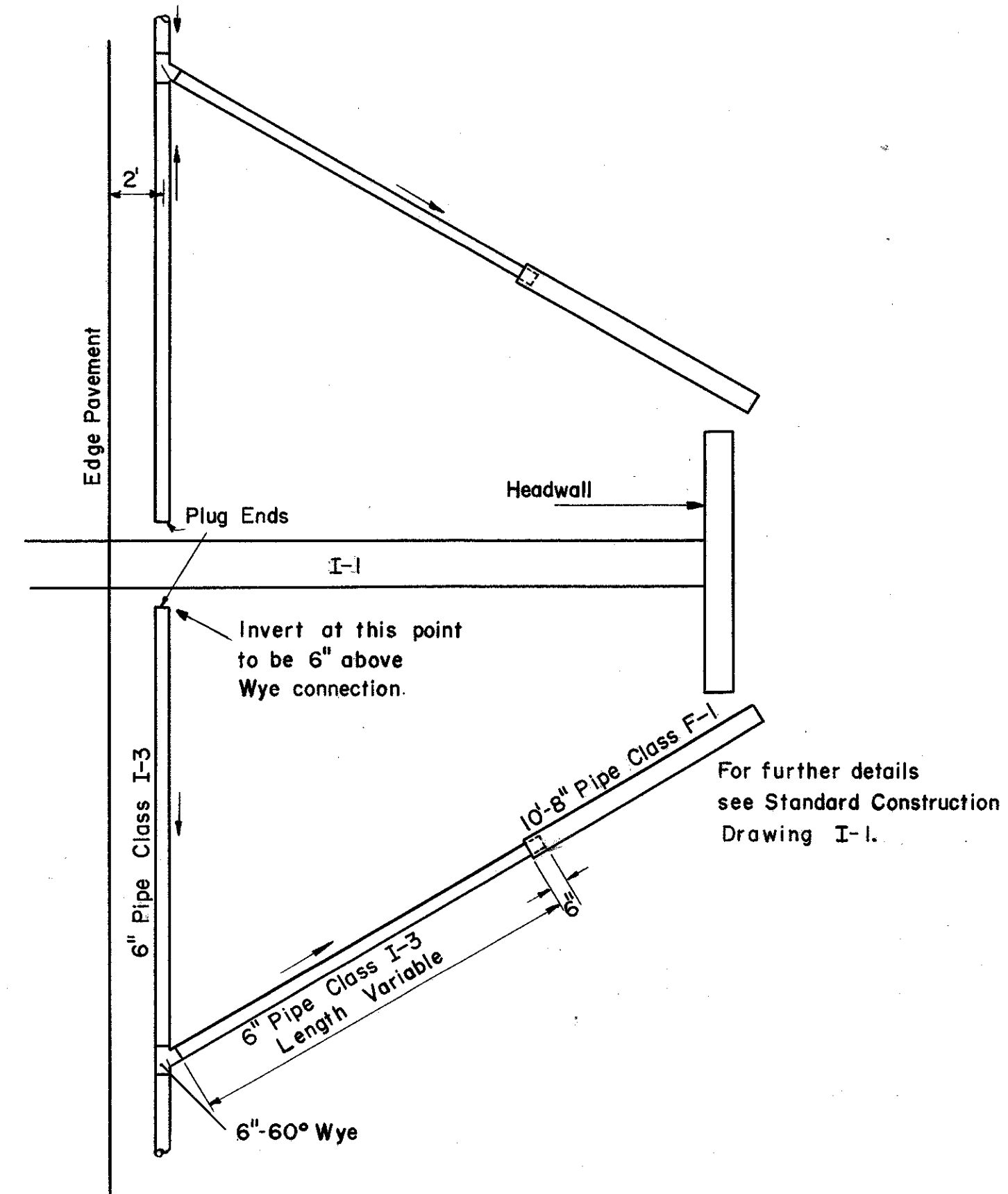
DETAIL OF TRANSVERSE DRAIN AT CUT TO FILL SECTION



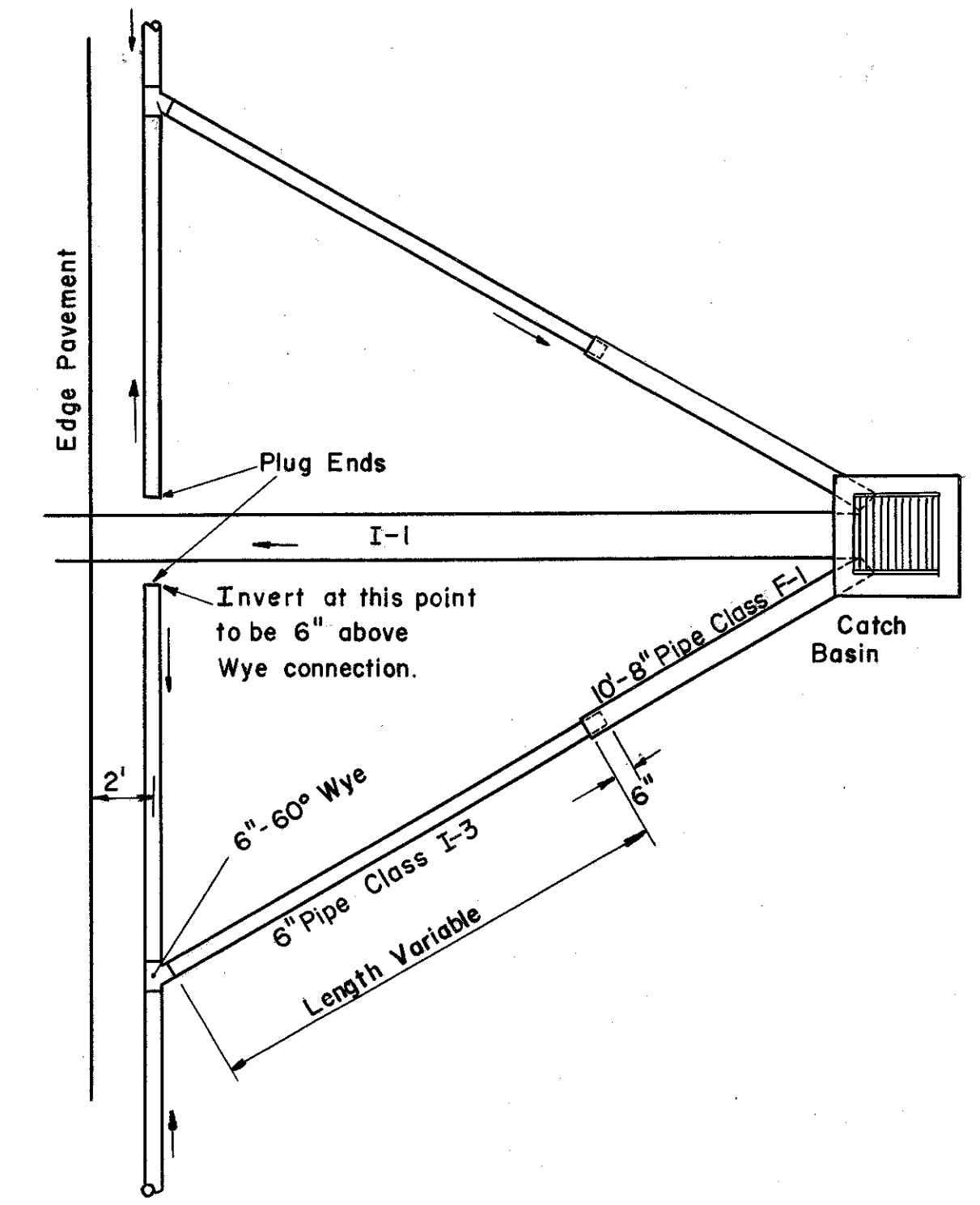
DETAIL STORM SEWER OUTLET IN HIGH FILL



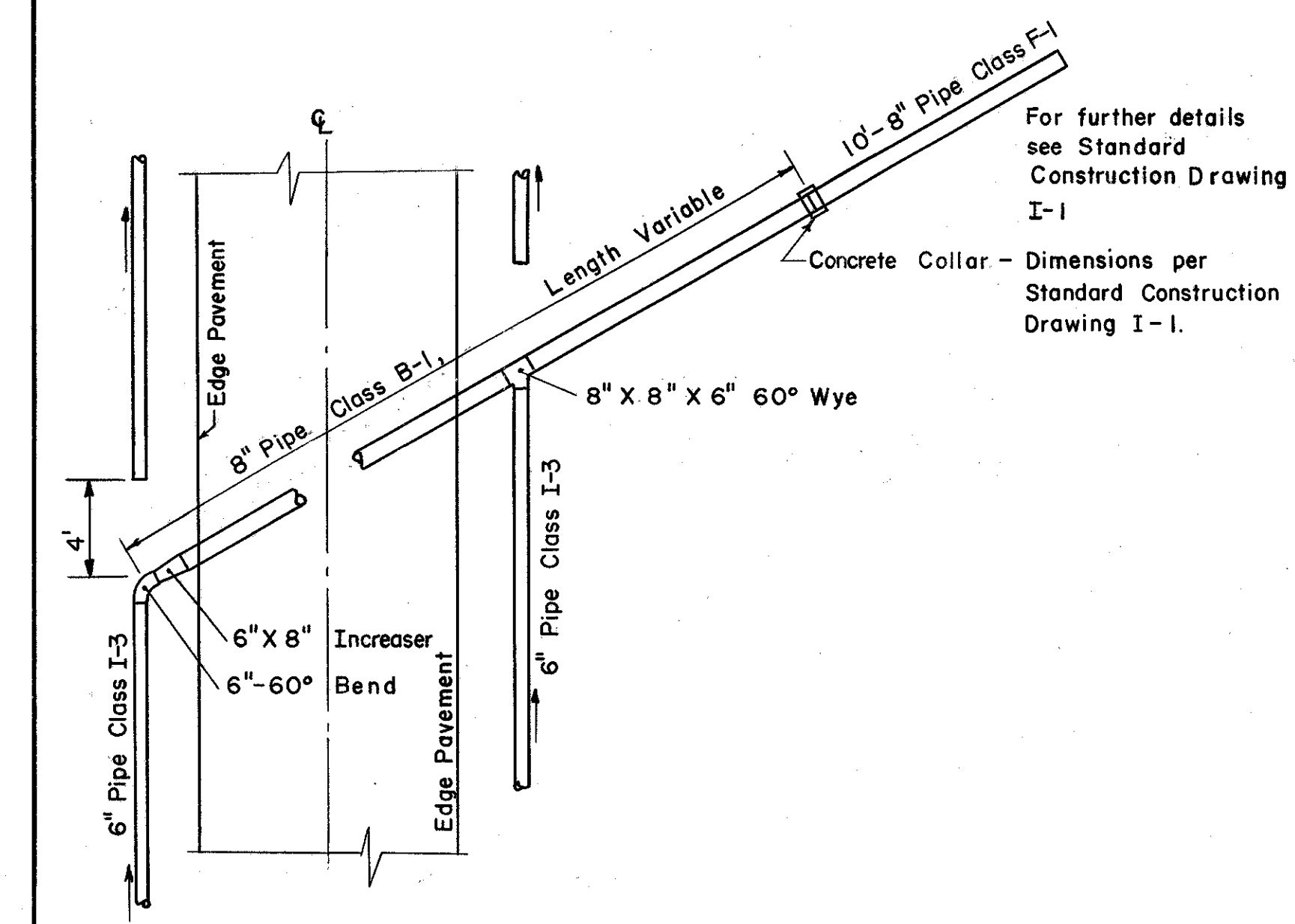
UNDERDRAIN OUTLET DETAIL A



UNDERDRAIN OUTLET DETAIL B



UNDERDRAIN OUTLET DETAIL C



OUTLET DETAIL D

MISCELLANEOUS DETAILS