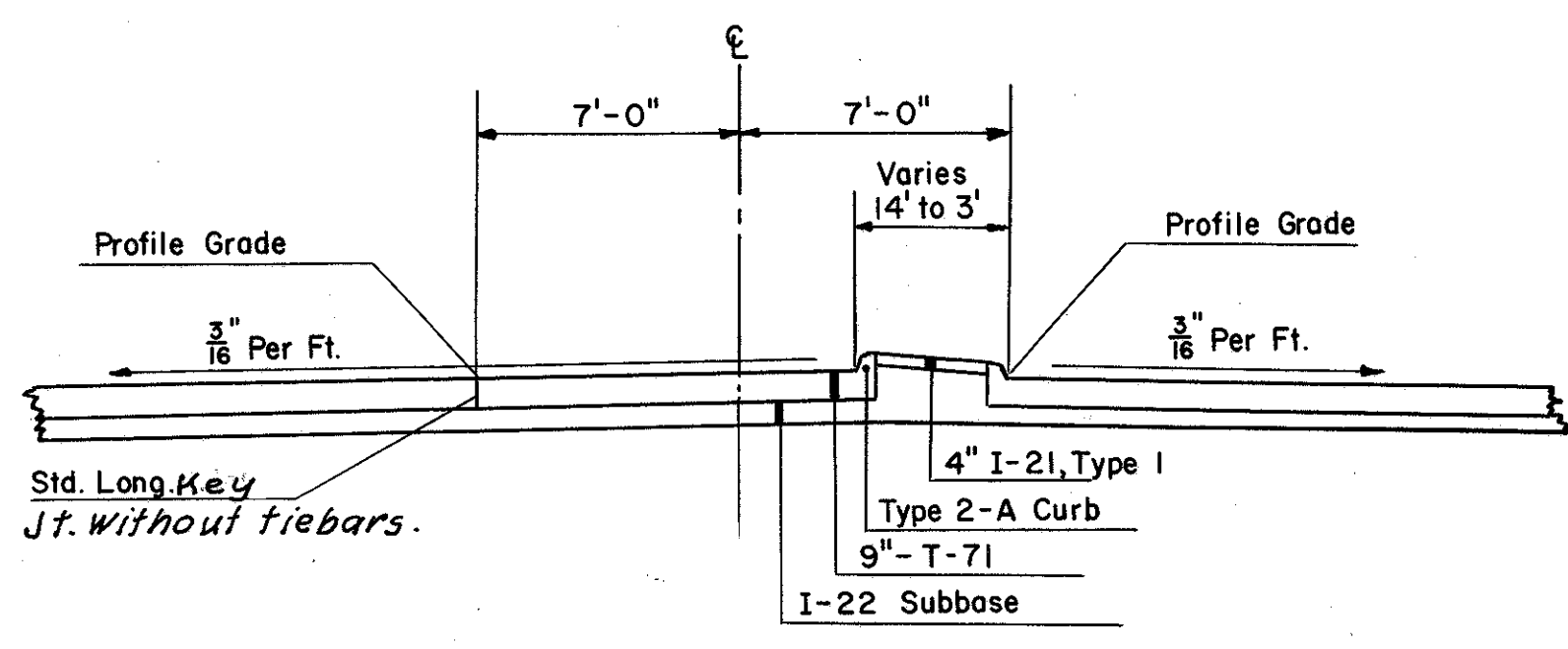
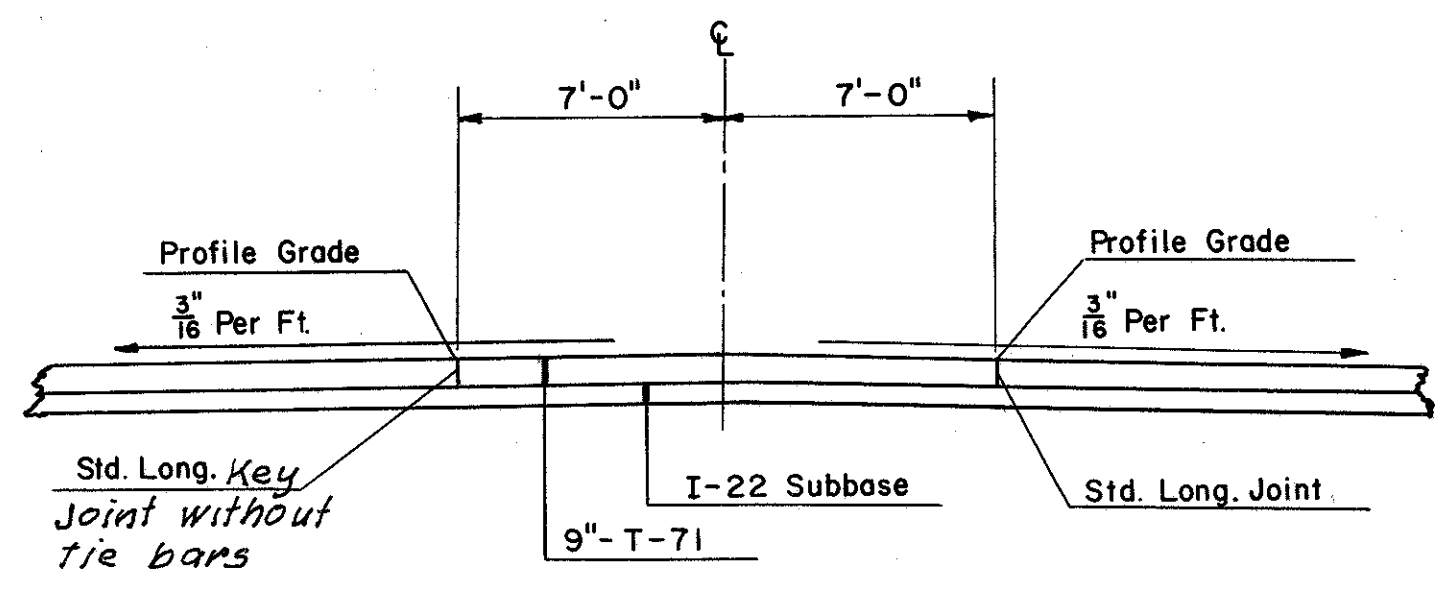


Warp pavement to work out difference in elevation between \bar{C} & median nose.

- JOINT LEGEND**
- ① Standard Longitudinal Joint
 - ② Expansion Joint Without Dowels
 - ③ Standard longitudinal key joint without tie bars



SECTION "A-A" *

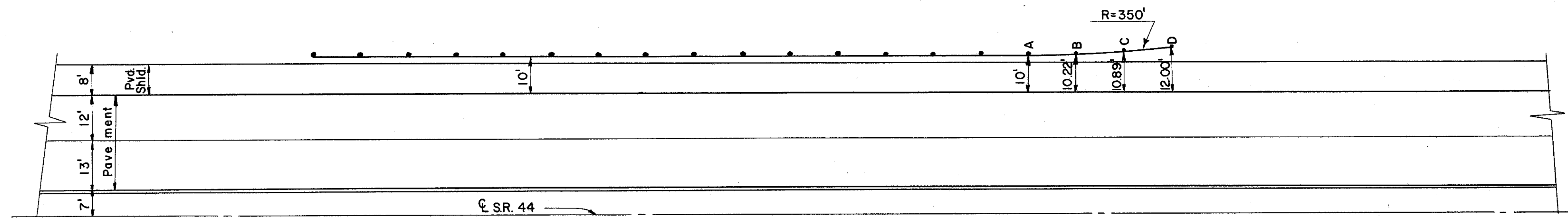


SECTION "B-B" *

* NOTE: These sections not applicable to median opening in superelevated section. See Sheet 100

DETAILS OF MEDIAN OPENINGS

DETAIL OF GUARD RAIL FLARE



Edge of pavement to face of rail.

Post	Offset
A	10'
B	10.22'
C	10.89'
D	12.00'