

# TYPICAL SECTIONS

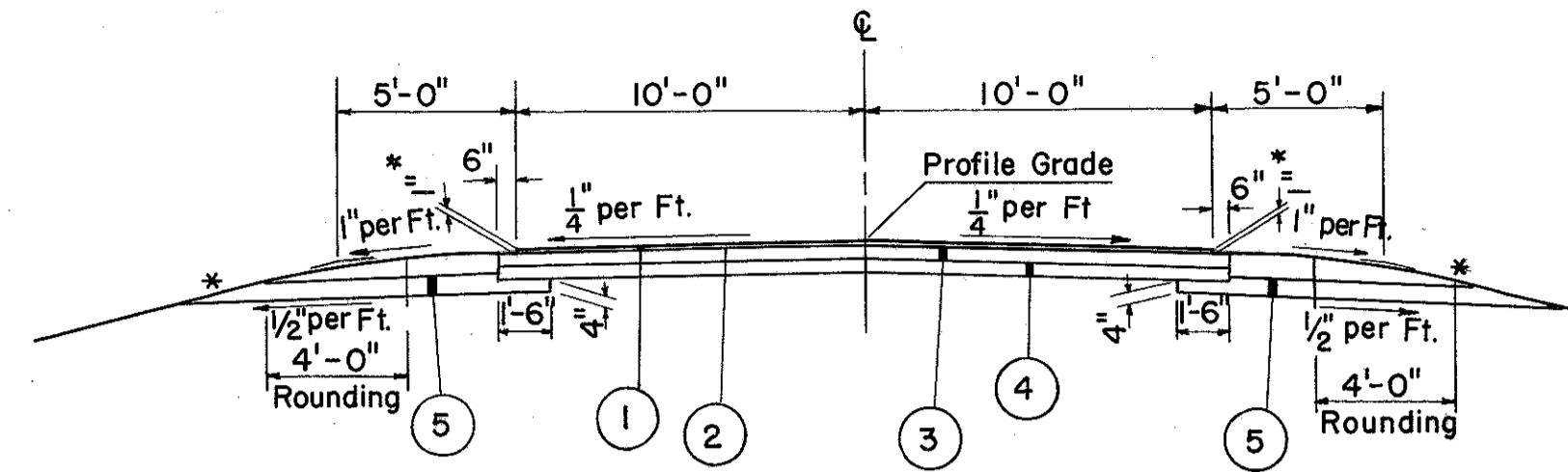
TYPE T-32 & T-35 on B-19

SCALE:  $\frac{3}{16}'' = 1'-0''$

FED. RD. DIVISION	STATE	PROJECT
2	OHIO	

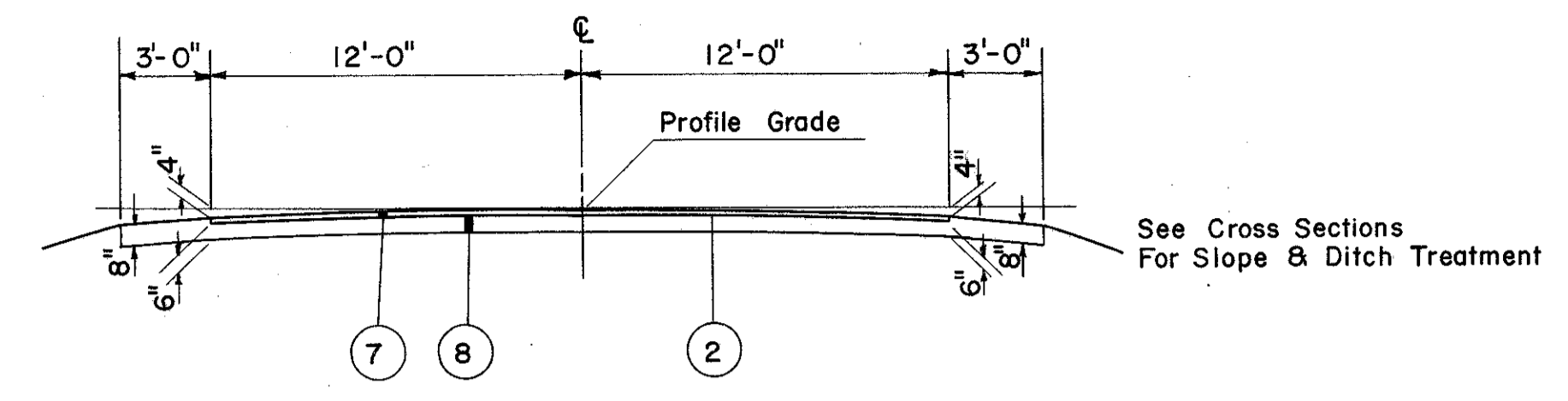
5  
212

LAKE COUNTY  
LAK-44-722



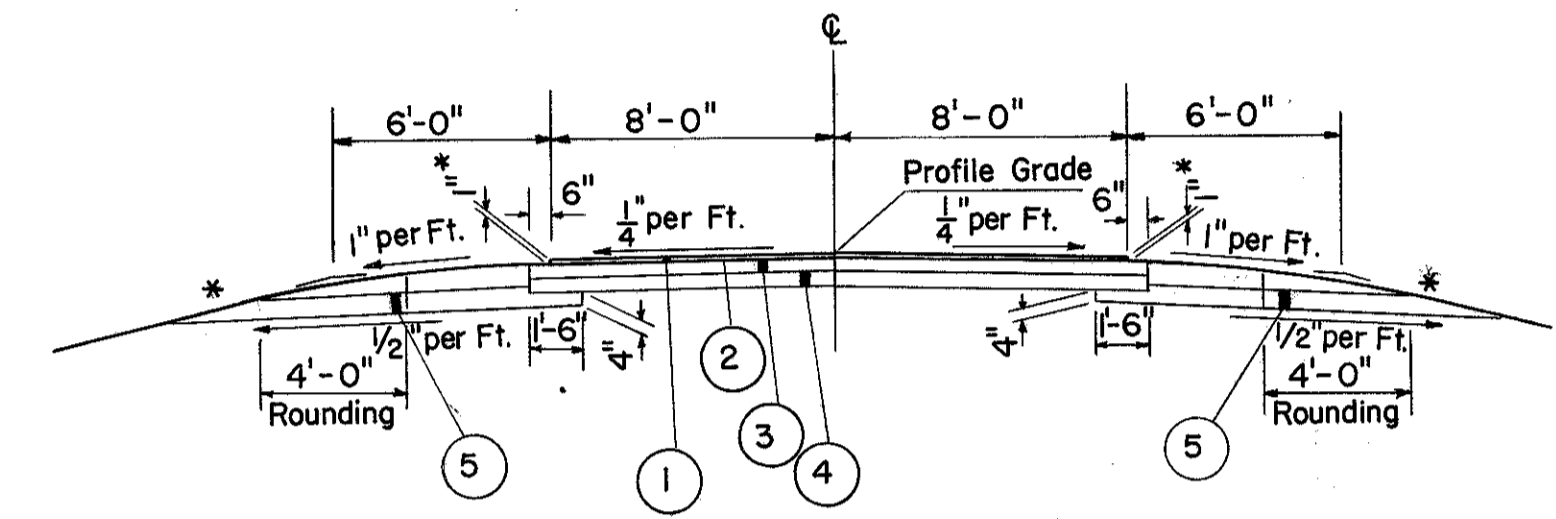
**FRONTAGE ROADS**  
FRONTAGE ROAD LT. STA. 139+95.39 TO STA. 161+50  
FRONTAGE ROAD RT. STA. 242+86.60 TO STA. 267+35  
FRONTAGE ROAD CONNECTOR STA. 0+80 TO STA. 2+30

FOR SLOPE AND PAVEMENT TREATMENT  
AT CUL-DE-SAC LOOPS,  
SEE SHEET 101

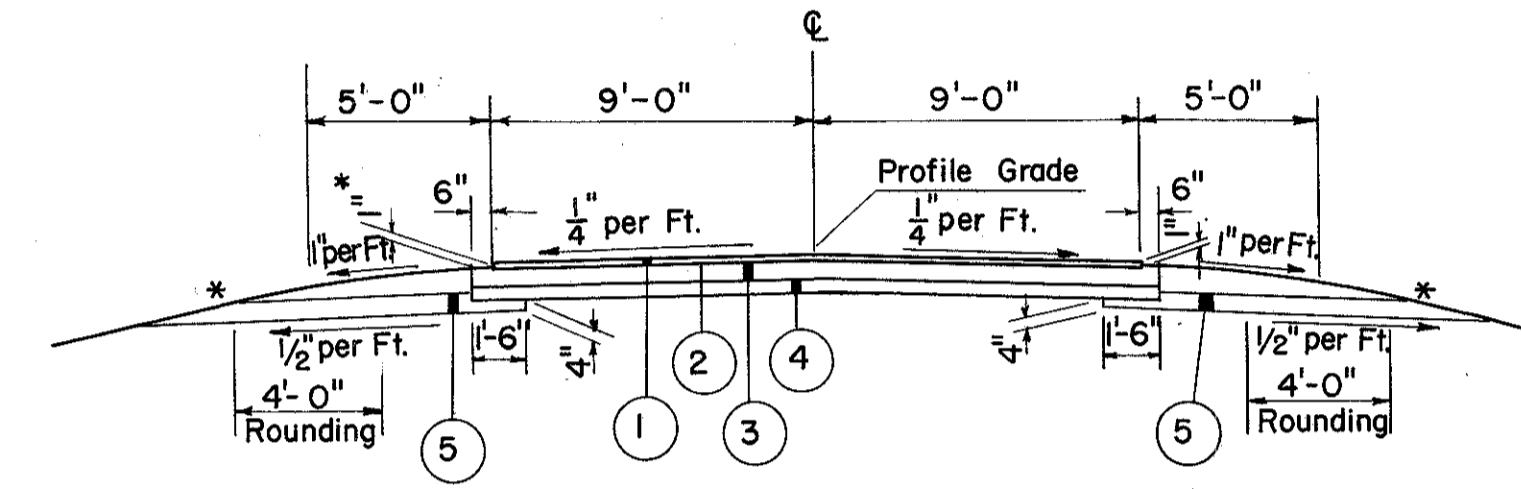


**MORTON SALT CO. ROAD**  
STA. 0+57.90 TO STA. 1+00

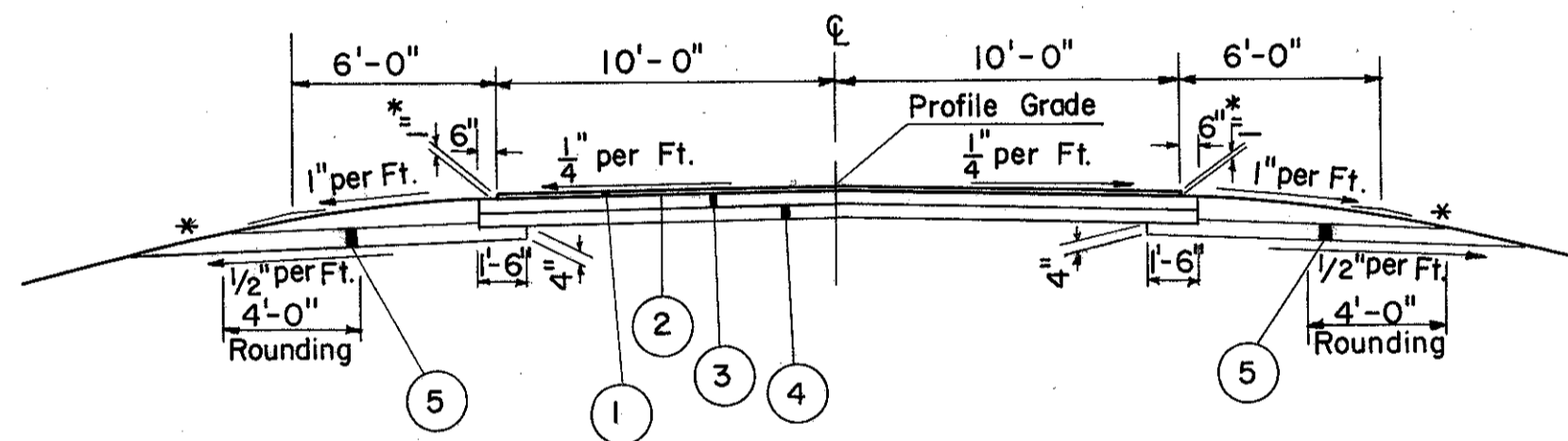
See Cross Sections  
For Slope & Ditch Treatment



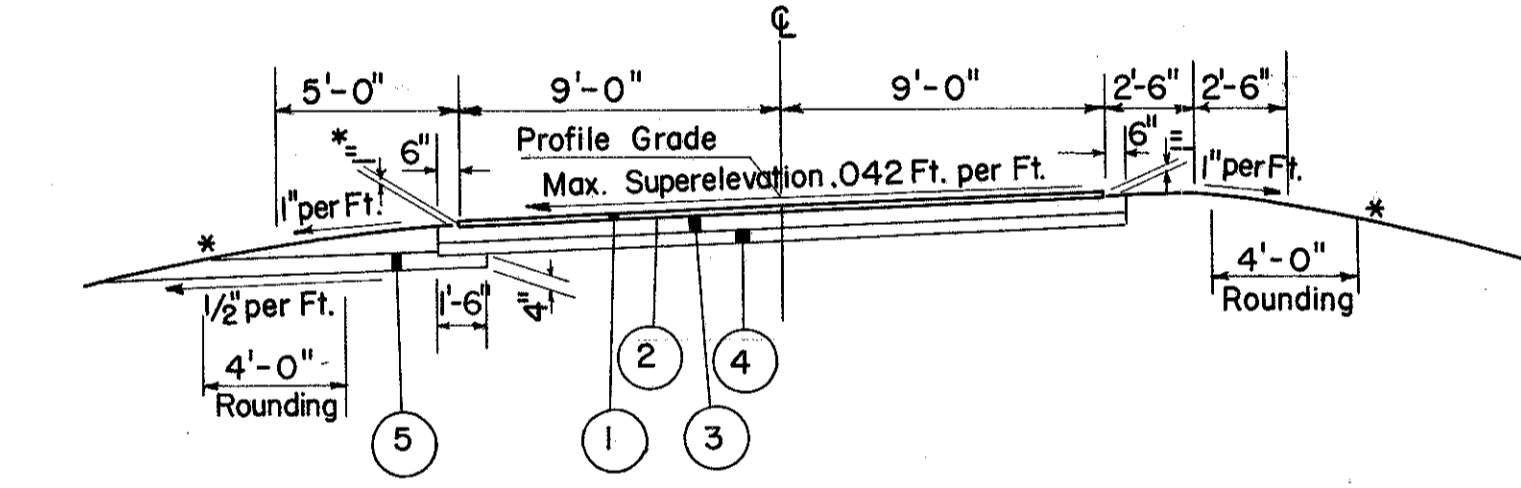
**TEMPLE AVENUE**  
STA. 1+10 TO STA. 4+00



**OLIVE STREET**  
STA. 0+32 TO STA. 1+83  
STA. 6+34 TO STA. 9+61

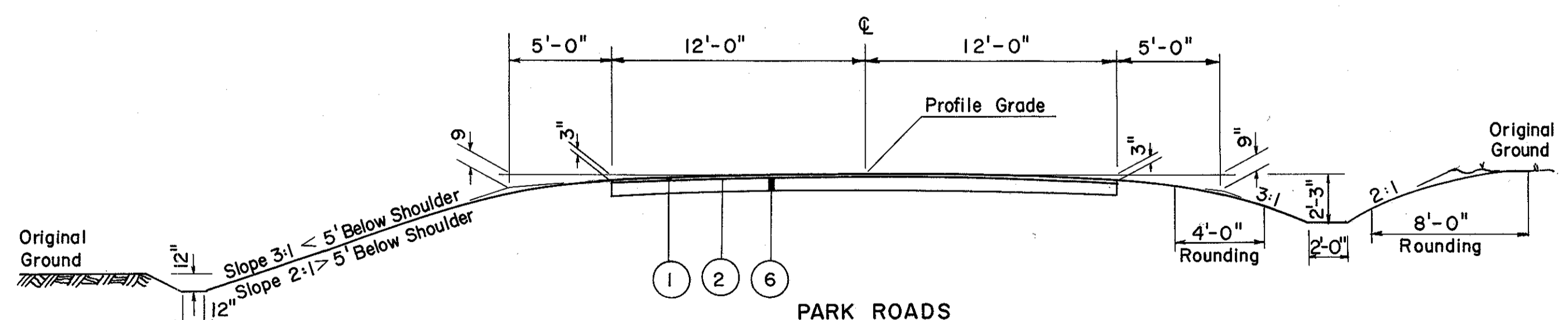


**BLACKBROOK ROAD**  
STA. 0+80 TO STA. 3+50



**OLIVE STREET  
SUPERELEVATED SECTION**  
STA. 1+83 TO STA. 6+34

\*NOTE:  
See Standard Construction Drawing No. RI-1,  
Roadway Items, for Normal Slope, Guard Rail  
and Ditch Design. Also see Cross-Section  
for ditches.  
\* Thickness shown is "designed"  
thickness as described in Section  
7-35.01



**PARK ROADS**  
WEST PARK ROAD STA. 10+46.47 TO STA. 12+00  
EAST PARK ROAD STA. 10+61.03 TO STA. 11+50

**LEGEND**

- ① T-32 Bituminous Road Mix, Method B or C, using 0.056 C.Y. No. 46 Aggregate per S.Y. and 1.1 Gal. Sec. M-5.2, RC-2 or RC-3 or Sec. M-5.7, RT 8 or RT 9 or Sec. M-5.3, MC-4-5 per S.Y. Bituminous Choke & Seal Coat using 0.004 C.Y. No. 6 Aggregate per S.Y. for choke, 0.008 C.Y. No. 6 Aggregate per S.Y. for Seal Coat and 0.25 Gal. Sec. M-5.7, RT 9 or RT 10 or Sec. M-5.2, RC-3 or RC-4, or Sec. M-5.3, MC-4-5 per S.Y. for Seal.
- ② T-30 Bituminous Prime Coat Sec. M-5.7, RT 2 or RT 3 applied at rate of 0.4 Gal per S.Y.
- ③ B-19 5" Aggregate Base Course.
- ④ I-22 4" Subbase.
- ⑤ I-9 Stone Underdrain, No. 2 (See General Notes for spacing).
- ⑥ B-19 8" Aggregate Base Course
- ⑦ T-35 2 1/2" Asphaltic Concrete Surface Course, Type C (70-85). (2 Courses) ≠
- ⑧ B-19 Variable depth Aggregate Base Course.

TEMPLE AVENUE, FRONTAGE ROADS, BLACKBROOK RD, PARK ROADS,  
OLIVE ST. & MORTON SALT CO. ROAD- TYPICAL SECTIONS