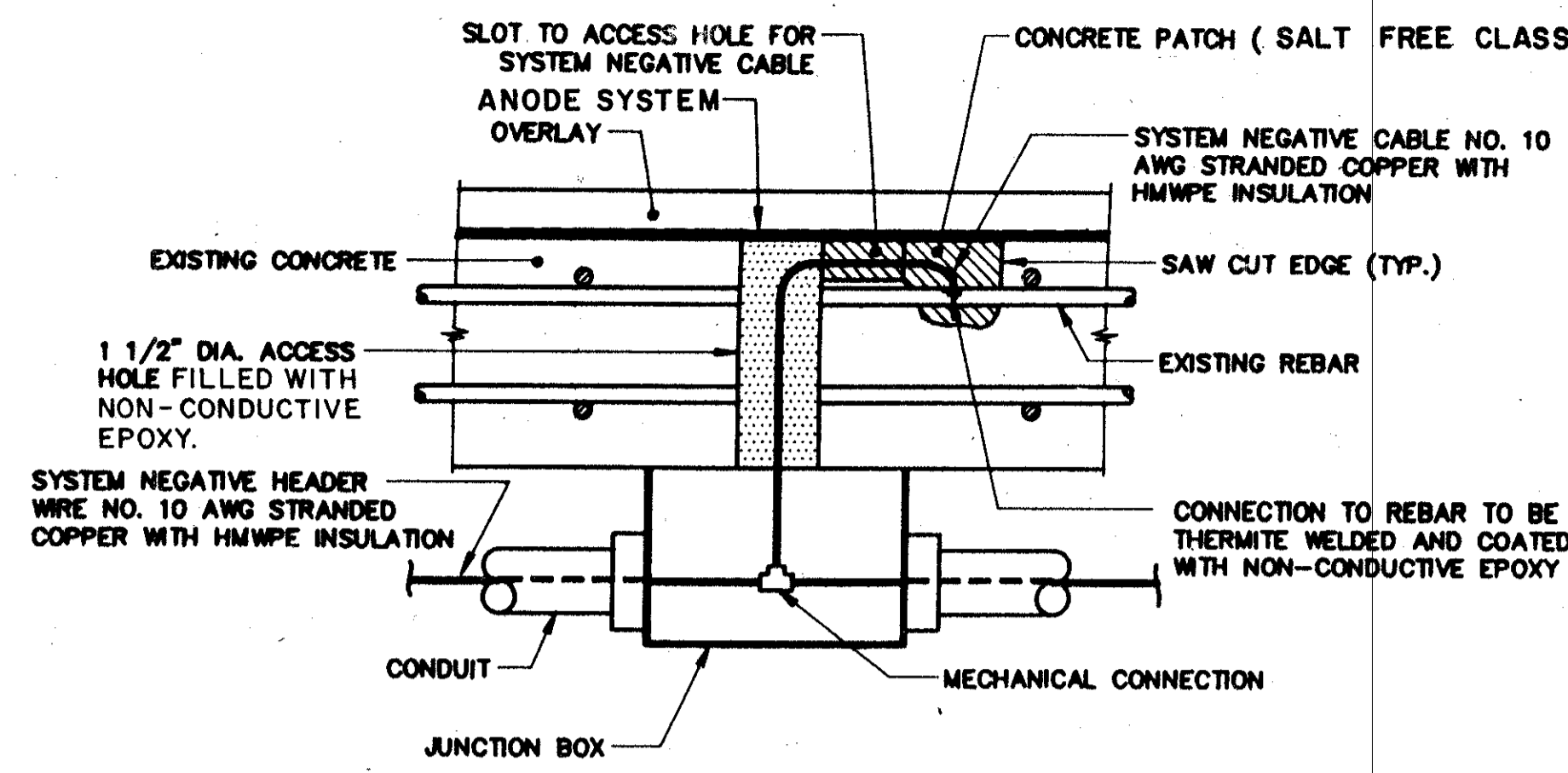
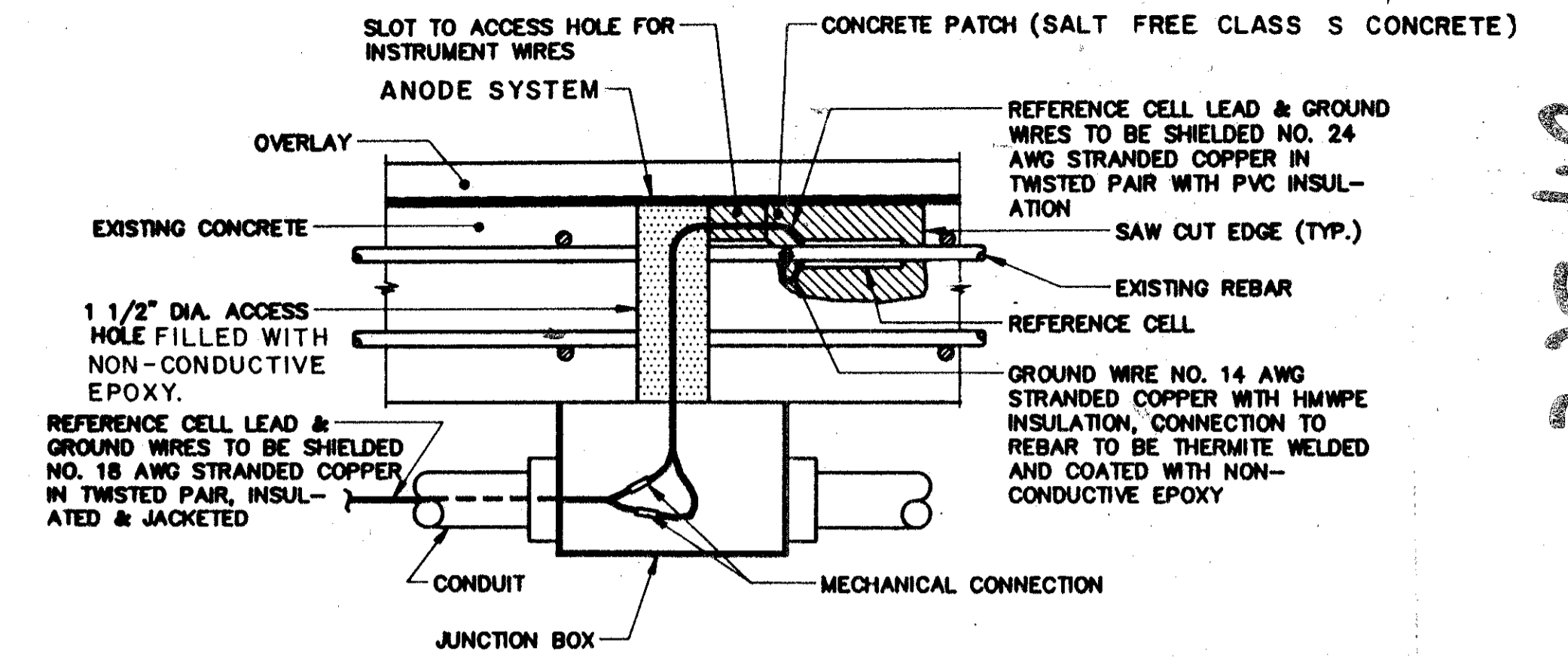


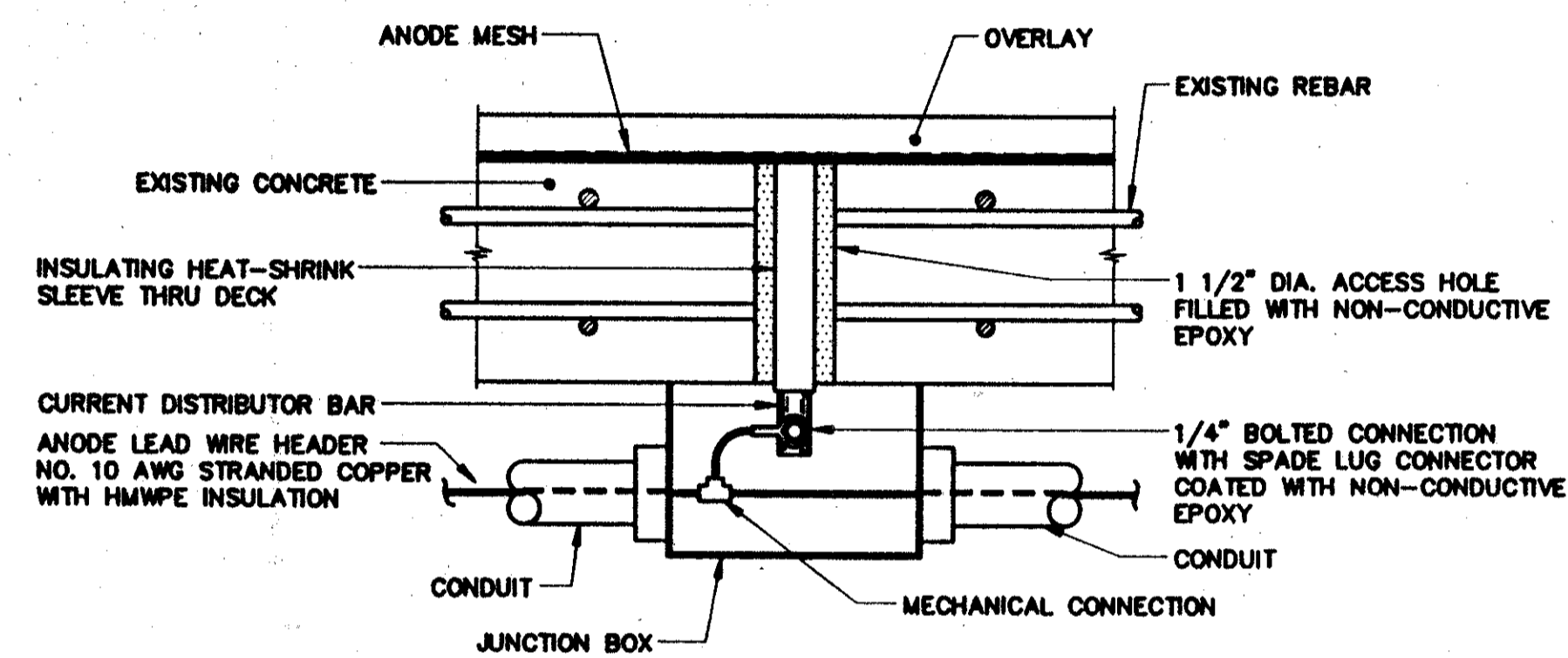
CONTINUITY BONDING DETAIL



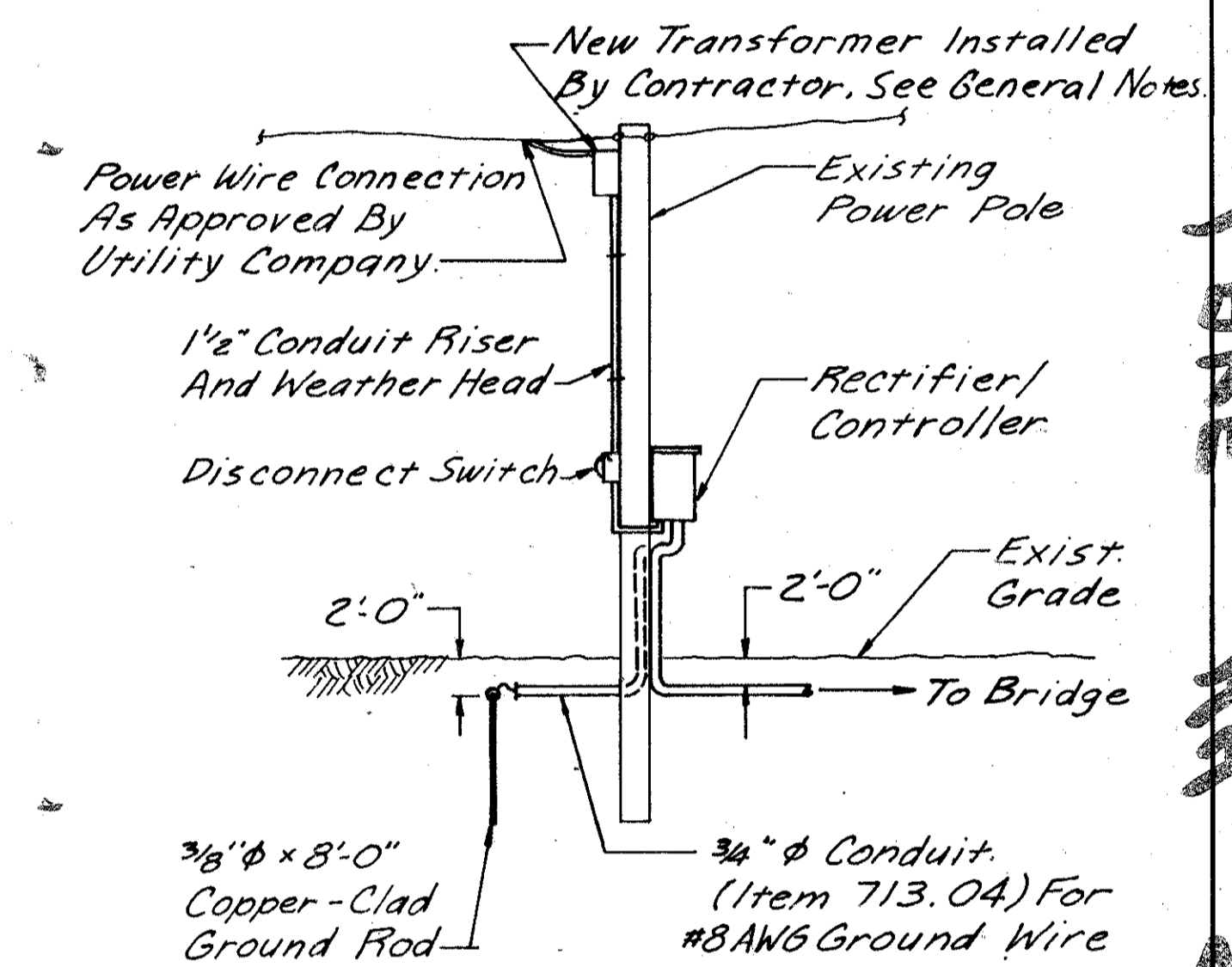
SYSTEM NEGATIVE CONNECTION DETAIL



REFERENCE CELL DETAIL



ANODE MESH SYSTEM



RECTIFIER/CONTROLLER MOUNTING DETAIL

Burgess & Niple, Limited					bn		15 / 15
Engineers and Architects							
CATHODIC PROTECTION DETAILS							
BRIDGE NO. LAK - 44 - 0510							
JACKSON STREET OVER S.R.44							
DESIGNED	DRAWN	TRACED	CHECKED	REVIEWED DATE	REVISED		
PJOD		JRR	PJOD	WAC 12/89			

LAK-44-2.10