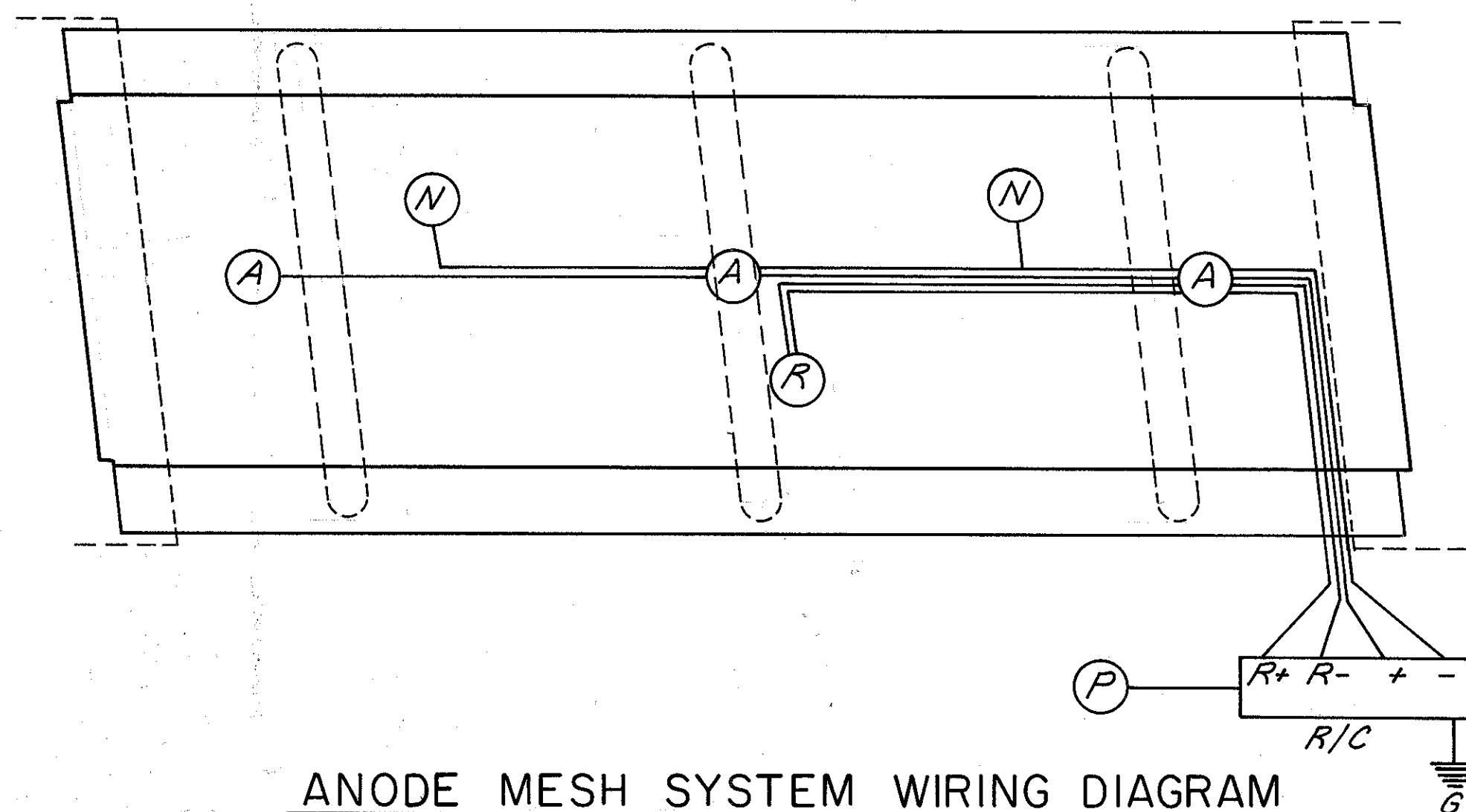


Existing Power Pole Approx. 28'± East Of The East End Of The Bridge At The South Edge Of Concrete Sidewalk. Mount Rectifier On Existing Pole. See Detail Sheet 14/15.

**PLAN  
ANODE MESH SYSTEM**

**Notes**

1. Field Verify Locations Of Beams Before Drilling Holes Thru Deck For Wiring.
2. Actual Location Of System Negative Connections Shall Be Determined In The Field As Recommended By The Anode Manufacturer.



**LEGEND**

- G Ground Wire #8 AWG.
- A Anode Lead.
- N System Negative Connection (See Detail).
- P A.C. Power Wire.
- R Reference Cell Lead And Ground Wire.
- R/C Rectifier/Controller Mounted On Power Pole (See Detail).

Burgess & Niple, Limited **bn** 14 / 15  
Engineers and Architects

**CATHODIC PROTECTION PLAN  
ANODE MESH SYSTEM**  
BRIDGE NO. LAK - 44 - 0510  
JACKSON STREET OVER S.R. 44

DESIGNED	DRAWN	TRACED	CHECKED	REVIEWED DATE	REVISED
PJOD	JRR		WAC	WAC 12/89	