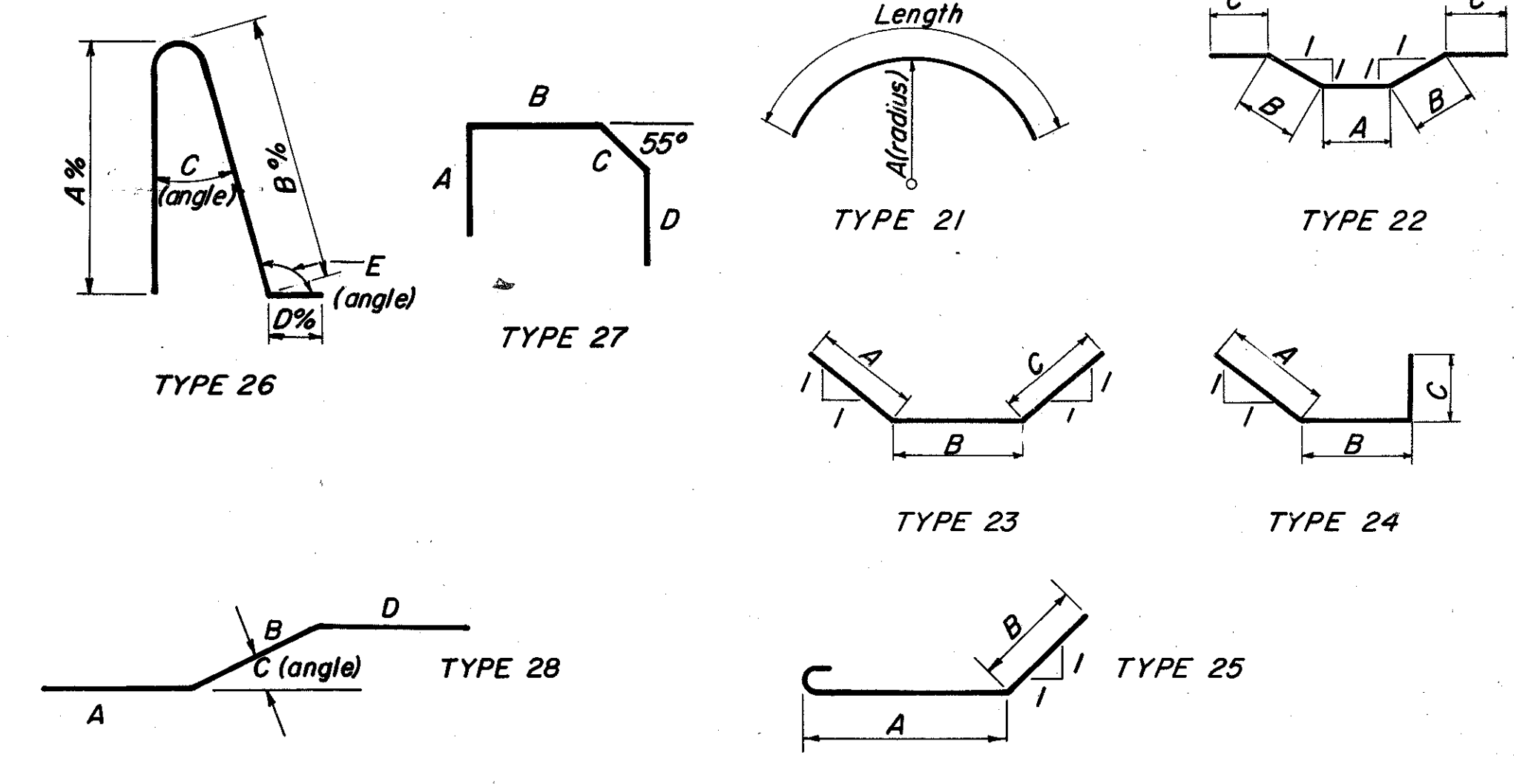


Mark	No.	Length Inc.	Weight Type	Dim. A Inc.	Dim. B Inc.	Dim. C Inc.	Bar Distribution	
<i>Barrier Splash Guards</i>								
ES501	430	5'-0"	2243 26	2'-4"	2'-6"	6°	D=6"	E=96°
ES502	430	2'-11"	1308 28	0'-10"	1'-6"	35°	D=8"	
ES601	176	16'-6"	4362 1					
ES602	32	13'-4"	641 1					
ES603	9	12'-6"	169 1					
ES604	15	14'-3"	321 1					
ES605	6	13'-6"	122 1					
ES606	1	11'-10"	18 21	24'-9"				
ES607	1	12'-5"	19 21	25'-9"				
ES608	1	13'-0"	20 21	26'-9"				
ES609	2	13'-7"	41 21	24'-9"				
ES610	1	14'-9"	23 21	26'-9"				
ES611	1	14'-2"	22 21	25'-9"				
ES612	1	14'-5"	22 21	26'-3"				
ES613	1	13'-2"	20 21	25'-9"				
ES614	1	13'-5"	21 21	26'-3"				
ES615	36	3'-7"	194 3	1'-2"	0'-9"	2'-0"		
ES616	36	3'-9"	203 27	1'-0"	1'-10"	0'-6"	D=9"	
	3	1'-10"						
ES617	70	2	233 1					
SERIES OF BARS 3'-0"								
ES618	8	2'-2"	26 1					
ES619	4	2'-4"	14 4	0'-10"	1'-6"	35°		
ES620	6	4'-9"	43 1					
ES621	1	13'-4"	20 21	26'-1"				
ES622	1	13'-1"	20 21	25'-9"				
Total			10,125					

Mark	No.	Length Inc.	Weight Type	Dim. A Inc.	Dim. B Inc.	Dim. C Inc.	Bar Distribution	



REINFORCING STEEL SAMPLES: Refer To CMS Sections 106.03, 700, 709.01 Through 709.05 And 709.08. Sufficient Additional Reinforcing Steel Shall Be Provided For Sampling. Random Samples Shall Be Replaced In The Structures By The Additional Steel, Spliced In Accordance With 509.08.

LEGEND:
% = Out to Out Inc. = Increment
Bar marks for reinforcing bars which are to be epoxy coated include a letter prefix "E."

Burgess & Niple, Limited Engineers and Architects			bn 1982			11 / 15		
REINFORCING STEEL LIST								
BRIDGE NO. LAK-44-0510 JACKSON STREET OVER S.R. 44								
DESIGNED	DRAWN	TRACED	CHECKED	REVIEWED DATE	REVISED			
PJOD	JRR		WAC	WAC 12/89				