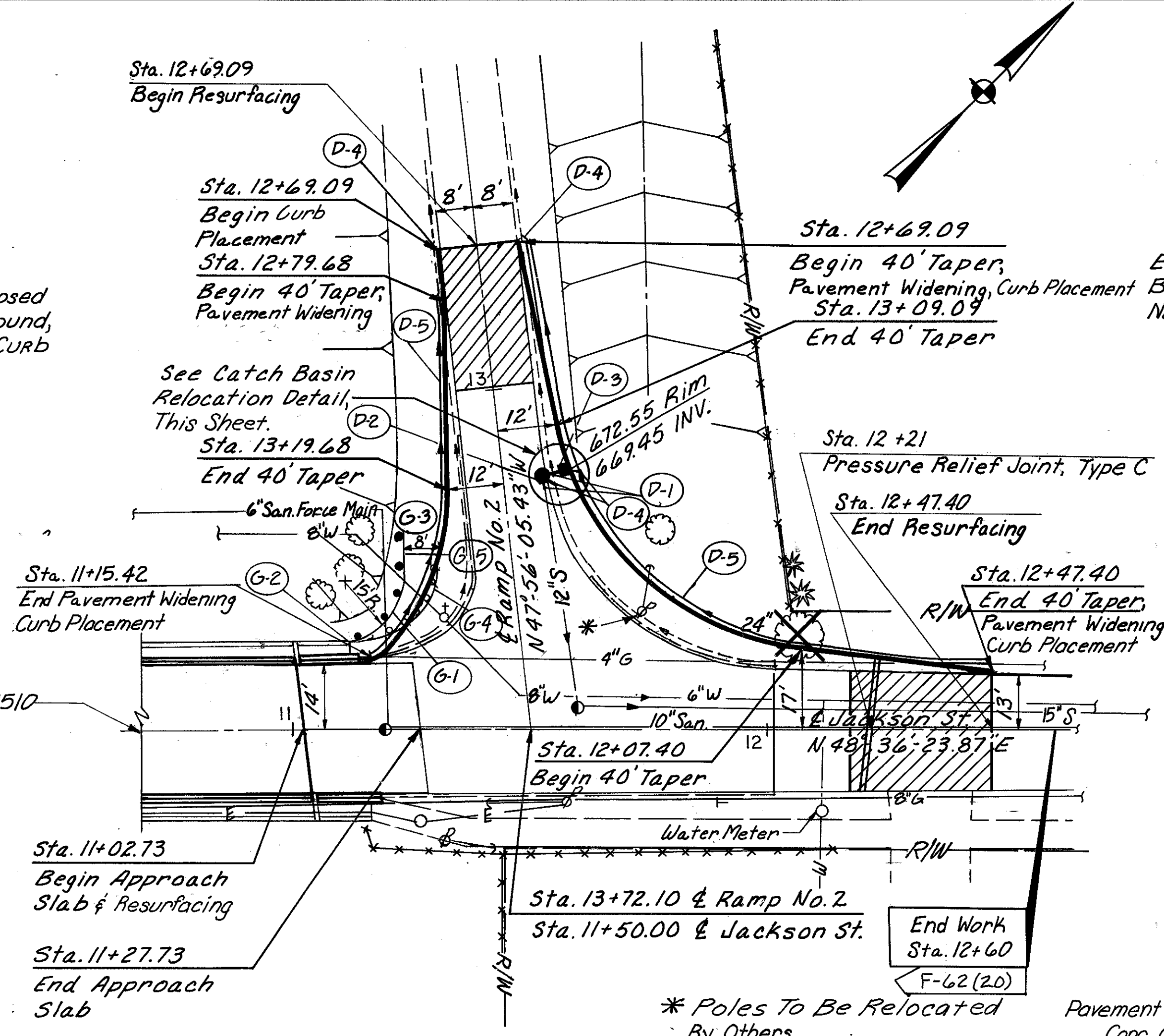
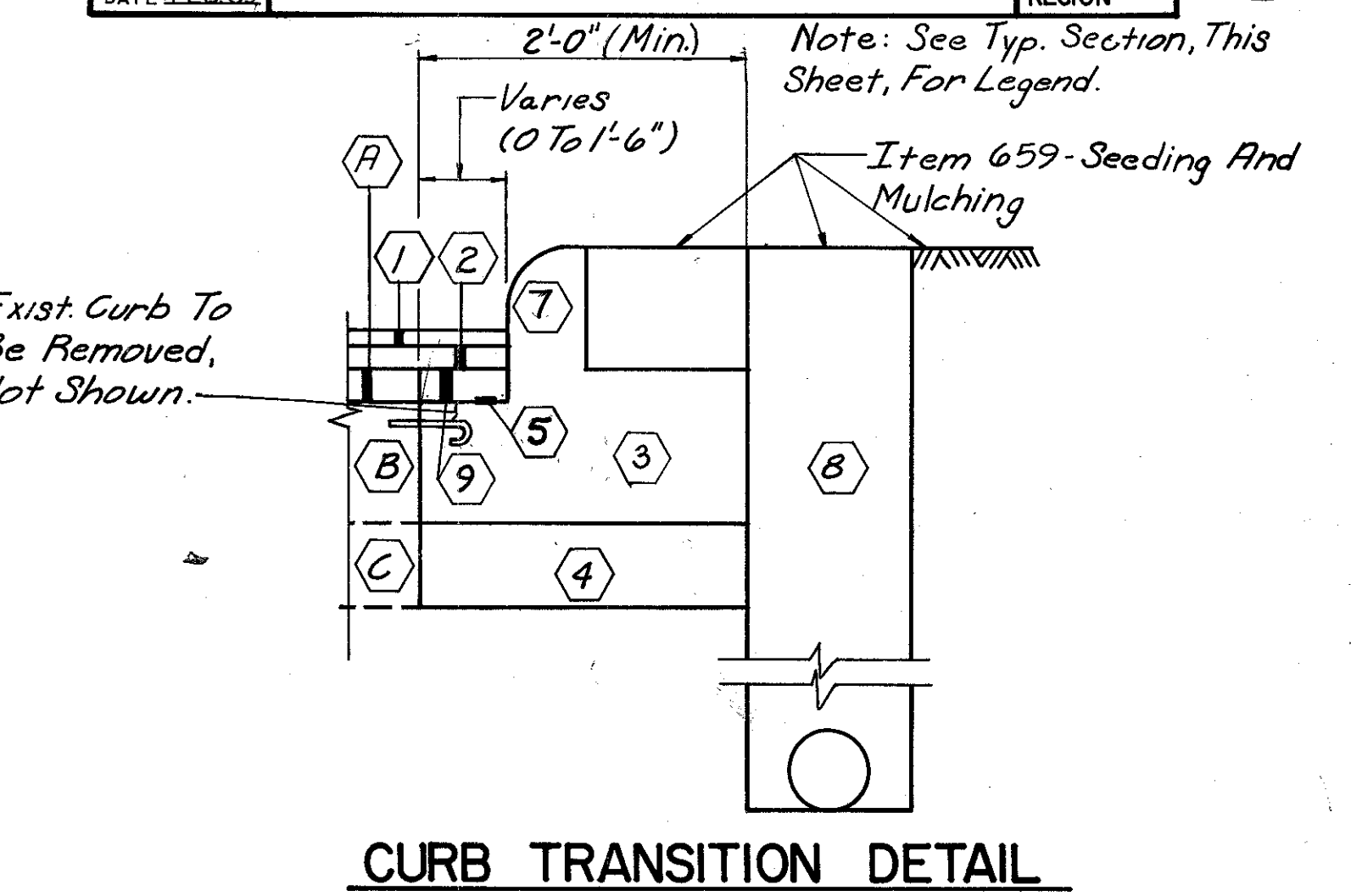


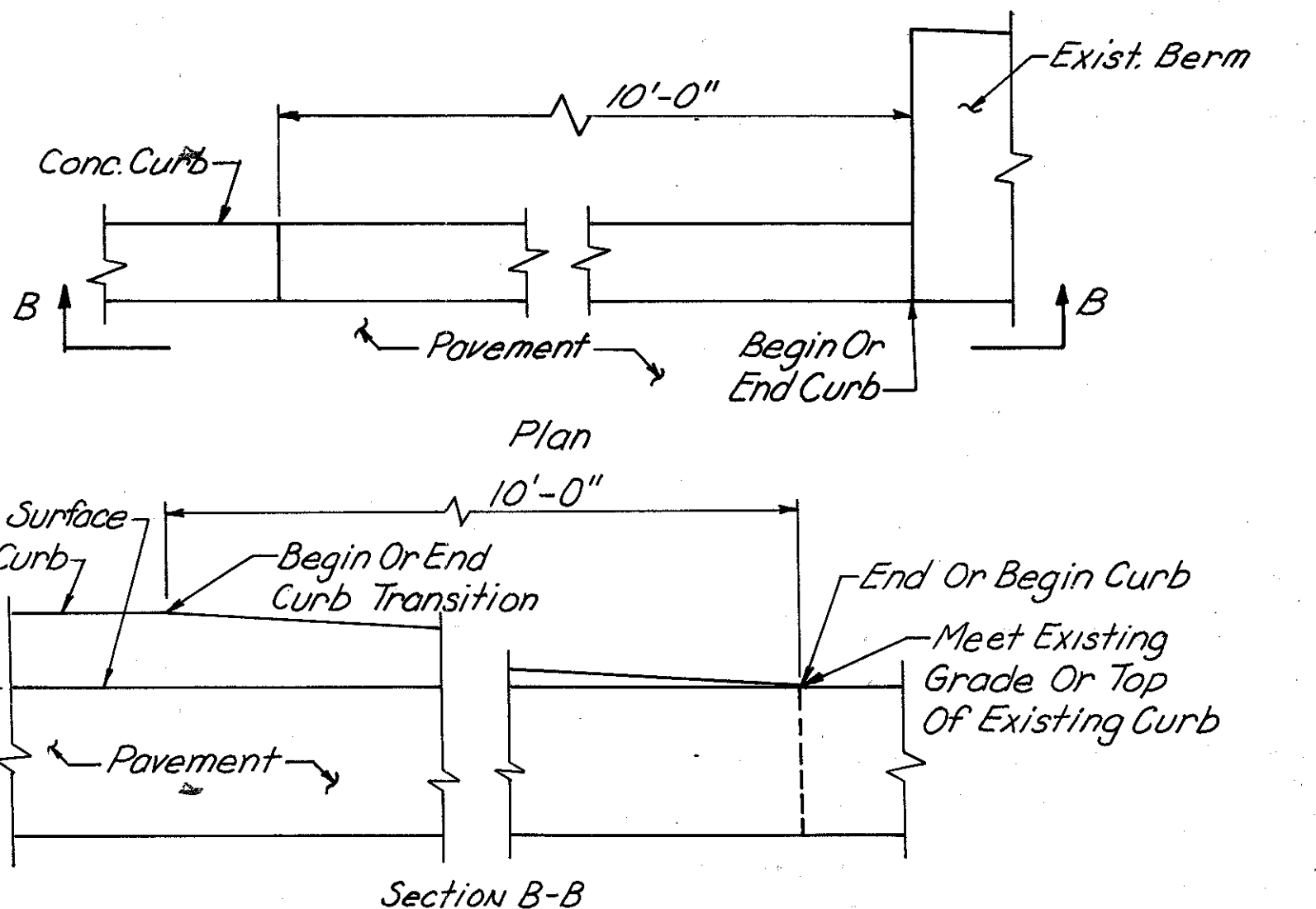
**EXIT RAMP-PROPOSED MODIFICATIONS**



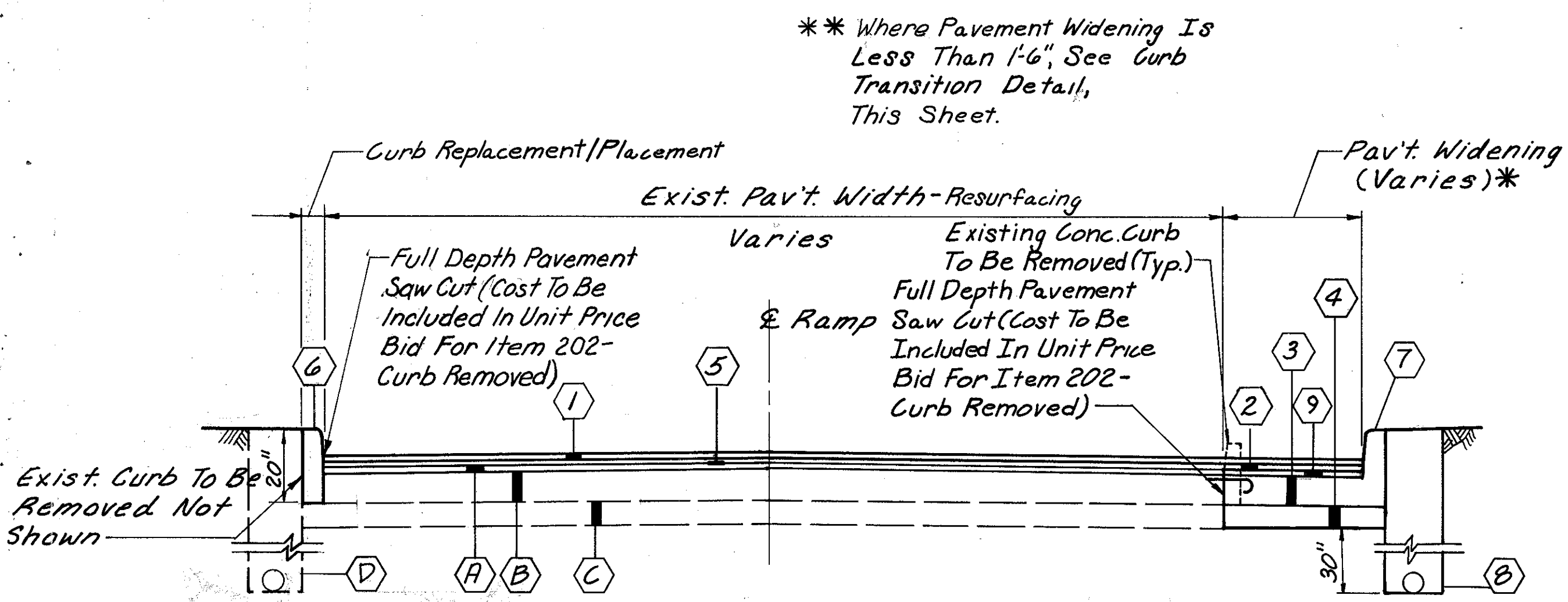
**ENTRANCE RAMP-PROPOSED MODIFICATIONS**



**CURB TRANSITION DETAIL**

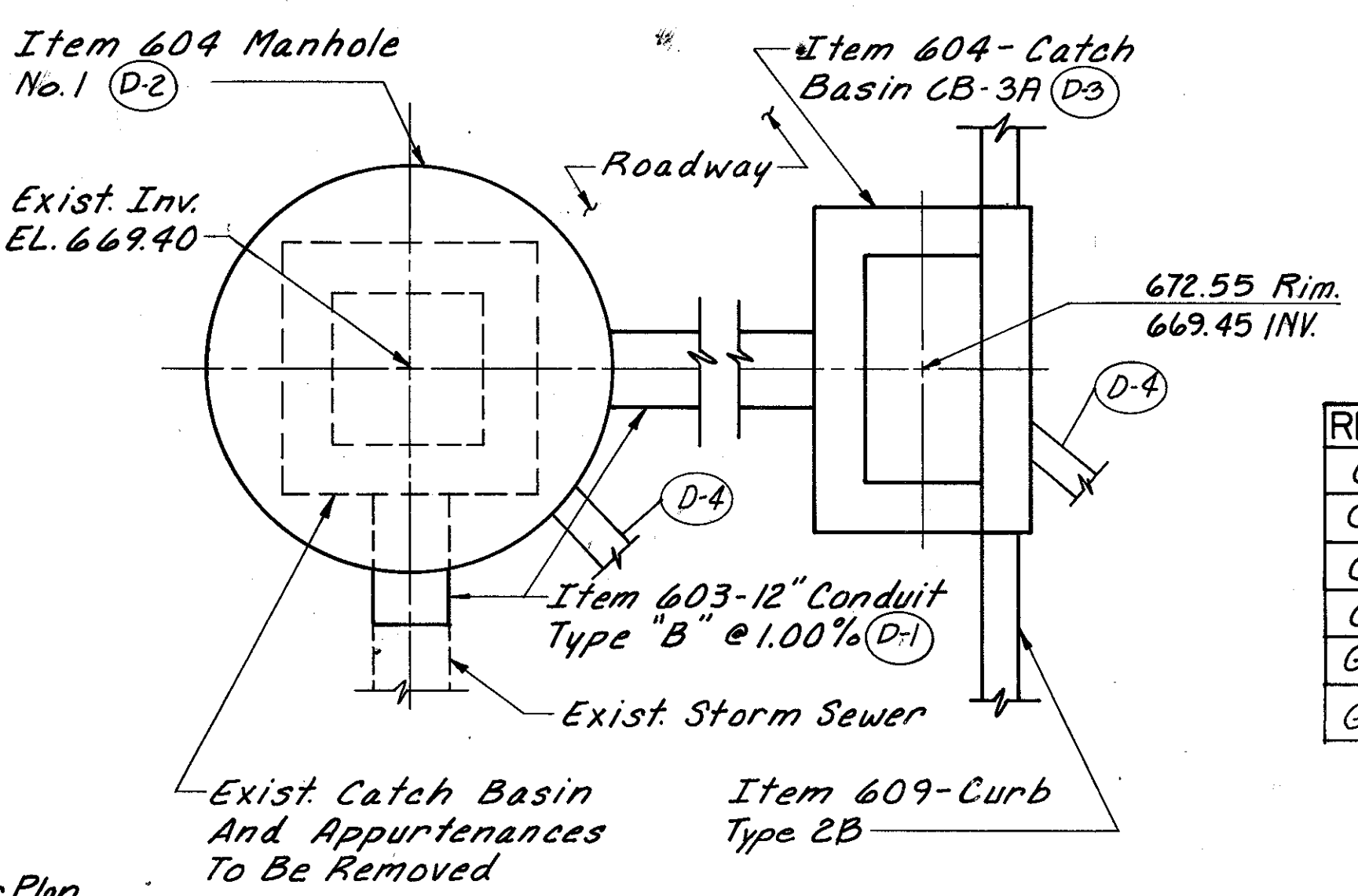


**CURB TAPER DETAIL**  
Not To Scale



**TYPICAL SECTION**

STA. 14 + 12.42 TO 15 + 23.74, RAMP NO. 1 & STA. 12 + 69.09 TO 13 + 58.01, RAMP NO. 2  
NO SCALE



**CATCH BASIN RELOCATION DETAIL**

NO SCALE

**GUARDRAIL QUANTITIES**

REF. NO.	ITEM	DESCRIPTION	QUANTITIES
G-1	606	Guardrail, Type 5	144 Lin. Ft.
G-2	606	Bridge Terminal Assembly, Type J, A.P.P.	2 Each
G-3	606	Anchor Assembly, Type T	1 Each
G-4	202	Guardrail Removed	125 Lin. Ft.
G-5	802	Barrier Reflector, Type A	6 Each
G-6	606	Anchor Assembly, Type A	1 Each

**DRAINAGE QUANTITIES**

REF. NO.	ITEM	DESCRIPTION	QUANTITIES
D-1	603	12" Conduit, Type B	10 Lin. Ft.
D-2	604	Manhole, No. 1	1 Each
D-3	604	Catch Basin, No. 3A	1 Each
D-4	603	6" Conduit, Type F, 707.17 NON PERF., ASTM 3034	14 Lin. Ft.
D-5	605	6" Shallow Pipe Underdrain	377 Lin. Ft.

\* SDR 35 or 55 931.