

NOTES

FENCE DETAILS shown on this drawing apply to standard Type 47 fence as detailed, however, the same designs may be used in the construction of all types of fence if modified because of differences in basic design, such as anchor assembly, height of fence, length of panel, or other variances which would affect the design.

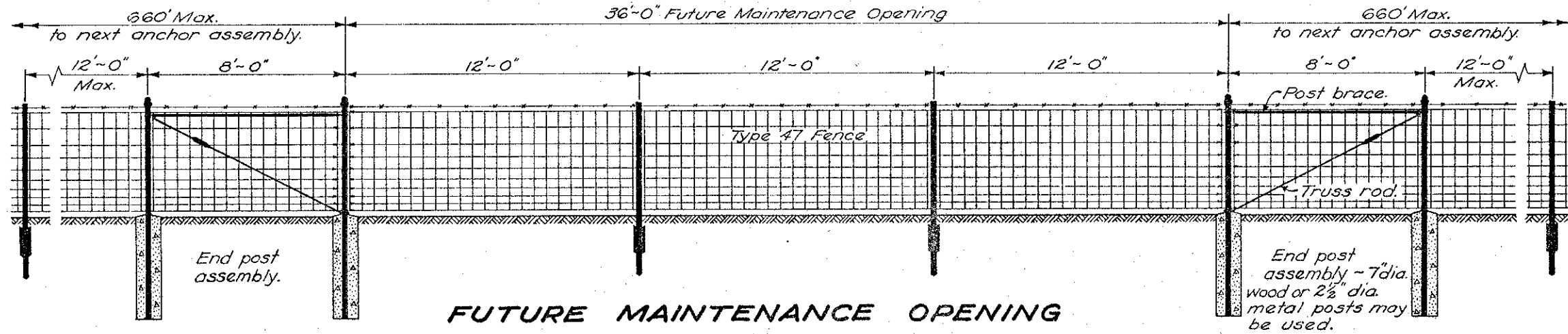
CROSSINGS, Types 1 or 2 or 3 shall be provided at earth side ditches and streams served by culverts smaller than 48 inch rise. Type 4 crossing shall be provided where fence crosses a paved channel that is over 18" deep.

TYPE 2 CROSSING is shown crossing a live stream but it may also be used for intermittent flow channels. For a live stream crossing, the barbed wire may be deleted or its spacing varied, when directed by the Engineer, to prevent or reduce the collecting of drift.

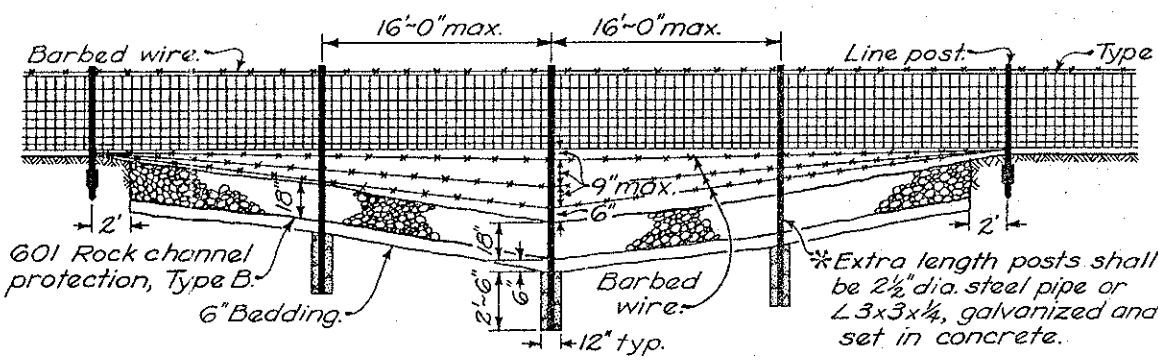
ROCK CHANNEL PROTECTION shall be placed only at locations indicated on the plans or as directed by the Engineer. It shall be constructed as shown on Type 1 and 2 crossings and shall be placed 6 feet wide, (2 feet outside the fence and 4 feet inside the fence), and shall be paid for as Item 601.

MAINTENANCE OPENING: Barbed wire and fence fabric in the 36' opening shall be separate from the approach wire and fabric, and shall be installed after the wire and fabric has been stretched and fastened on both approaches.

CONCRETE: The provisions of 511.12 are modified to the extent that Class C concrete shall be protected during the curing period in a manner such that it will not freeze.

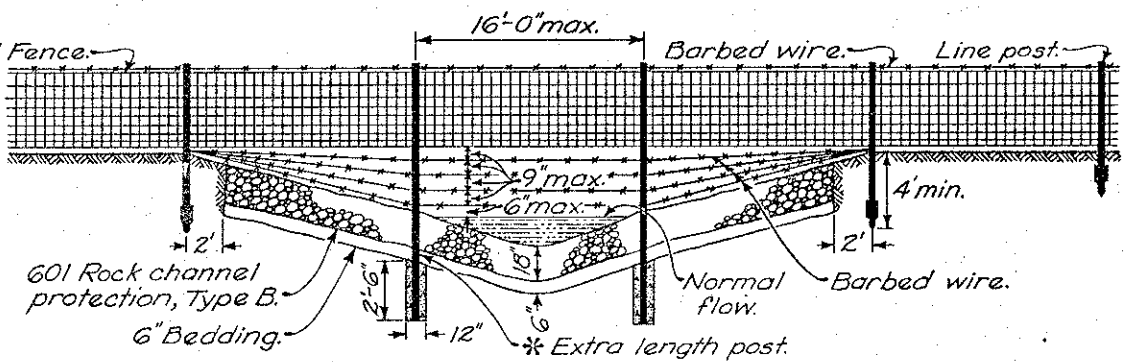


FUTURE MAINTENANCE OPENING

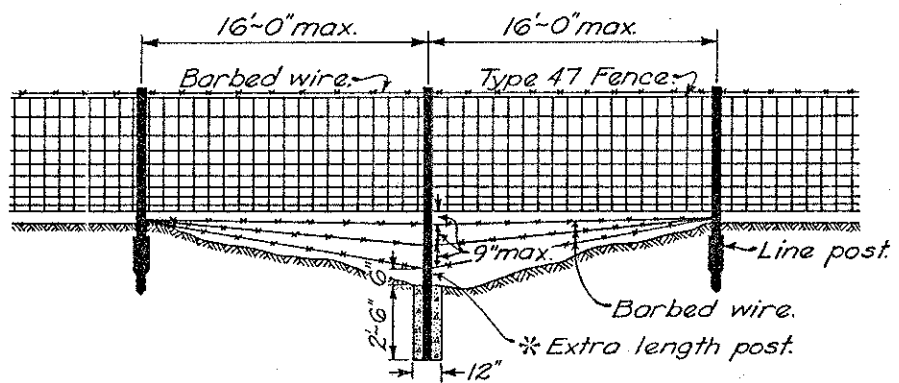


CROSSING TYPE 1

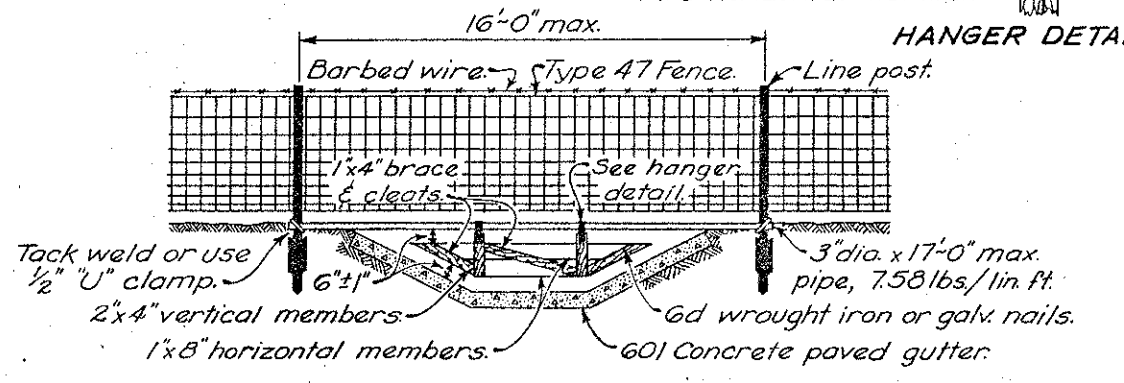
When no rock channel protection is required, the 2'-6" depth of concrete encasement shall be measured from the bottom of the channel.



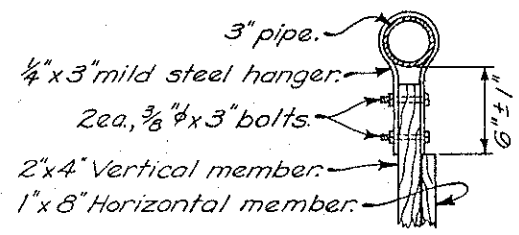
CROSSING TYPE 2



CROSSING TYPE 3



CROSSING TYPE 4



HANGER DETAIL

BUREAU OF ROADWAY DESIGN OHIO DEPARTMENT OF TRANSPORTATION	
FENCE DETAILS	
STANDARD CONSTRUCTION DRAWING	F-6
APPROVED: <i>C. J. Schaefer</i>	ENGR., R.D.

DATE
10-1-68
6-12-75
5-1-76