

NOTES

CONCRETE: The provisions of 511.12 are modified to the extent that concrete shall be protected during the curing period in a manner such that it will not freeze.

STREAM CROSSINGS: Where chain link fence is to be constructed continuously across streams, and stream crossing closures are required by the plans, the closure shall be constructed in accordance with details shown on Standard Construction Drawing F-6, modified as necessary to conform with chain link fence dimensions and details.

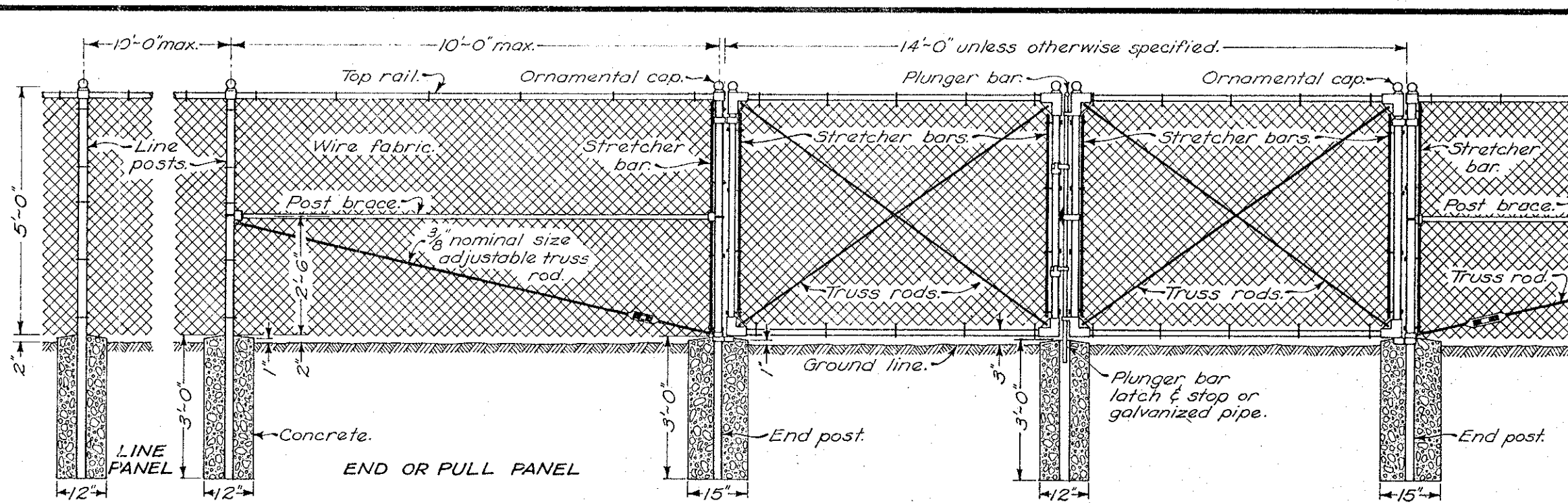
TENSION WIRE shall be used instead of the top rail when specified on the plans as Item 607, Fence, Type CLT. The wire shall be stretched taut and fastened to or passed through the top fitting. The fence shall be fastened to the tension wire with fabric ties consisting of hog rings every 24" or less.

GATES: Each gate shall be equipped with an approved padlock with double locking bolt, five-pin tumbler, laminated steel case, brass cylinder, rust-proof. Where companion gates are installed on opposite sides of the highway, tumblers shall be identically set in each lock so that the same key will open each lock. Two keys shall be furnished with each padlock.

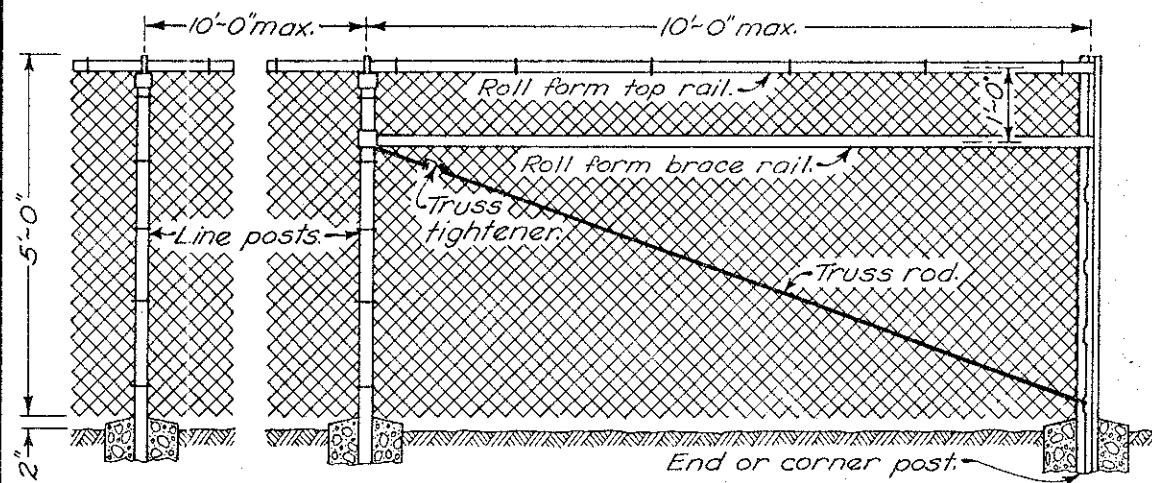
LINE POST ANCHOR ALTERNATES: Where specified on the plan, either steel drive anchors, or longer posts driven 48 inches deep, may be used in lieu of concrete encasement of line posts located in highly inaccessible locations. All end, corner and pull panel posts shall be encased in concrete.

FRAMEWORK AND FABRIC may be any type permitted by 710.03 of the specifications.

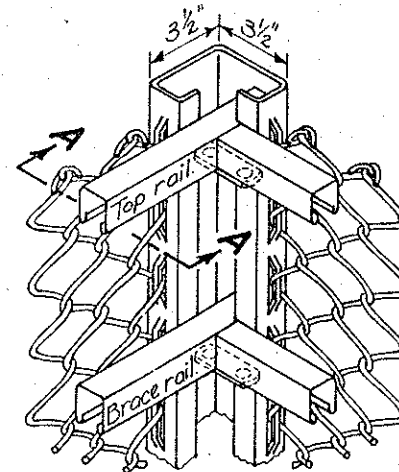
FENCE GROUNDING, when needed for overhead electric lines, is to be in accordance with HL-11.



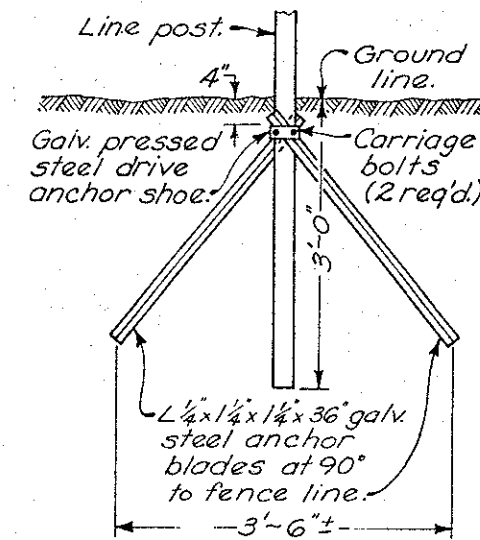
TYPE CL FENCE



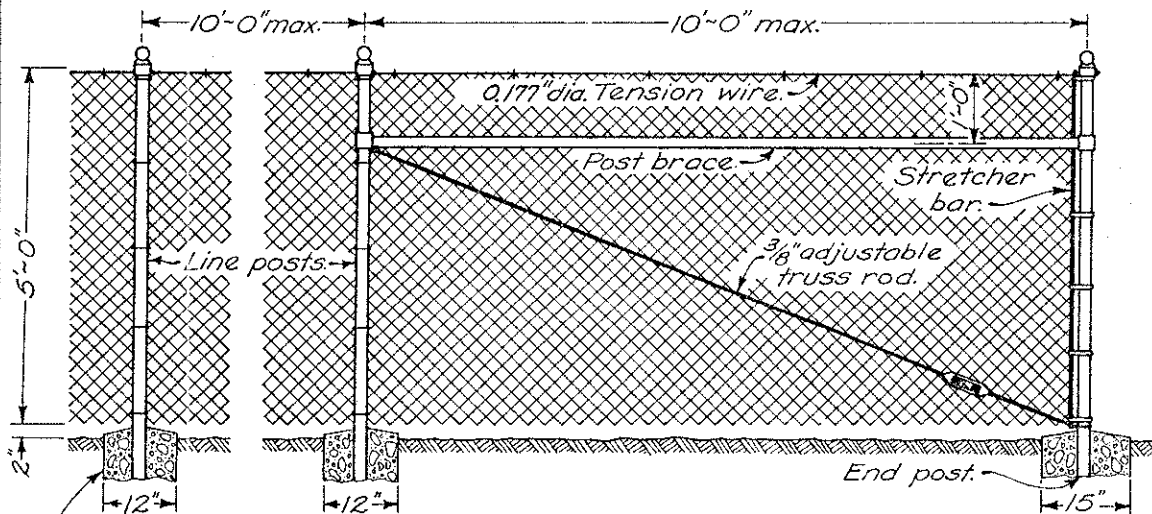
ROLL FORM ALTERNATE



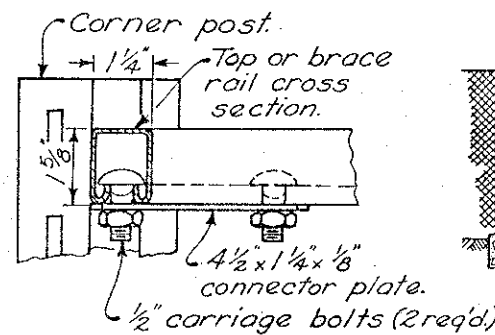
ROLL FORM ALTERNATE CORNER POST
Fabric outside.



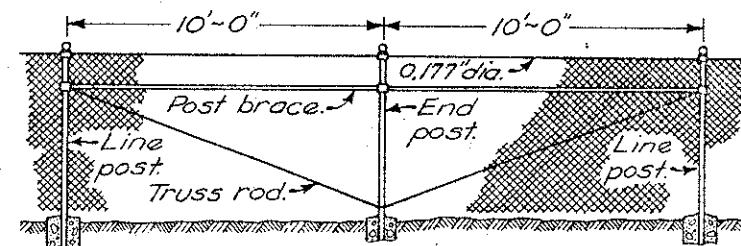
DRIVE ANCHOR DETAIL
For line post alternate.



TYPE CLT FENCE



SECTION A-A



INTERMEDIATE ANCHOR POST ASSEMBLY
For Type CLT Fence

BUREAU OF LOCATION AND DESIGN
OHIO DEPARTMENT OF TRANSPORTATION

CHAIN LINK FENCE

STANDARD
CONSTRUCTION
DRAWING

F-1

APPROVED _____ ENGR., L. & D.

DATE
2-1-63
6-1-65
3-10-69
6-1-72
5-1-76
11-10-83