

**NOTES**

FOR DETAILS not shown, see GR-1 and other Standard Construction Drawings pertaining to design of specific guardrail types.

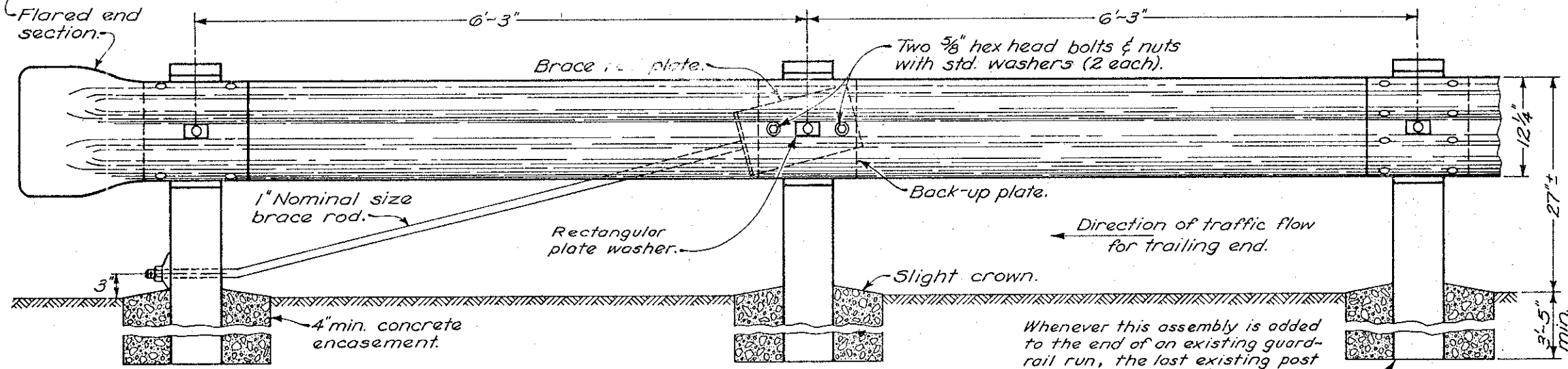
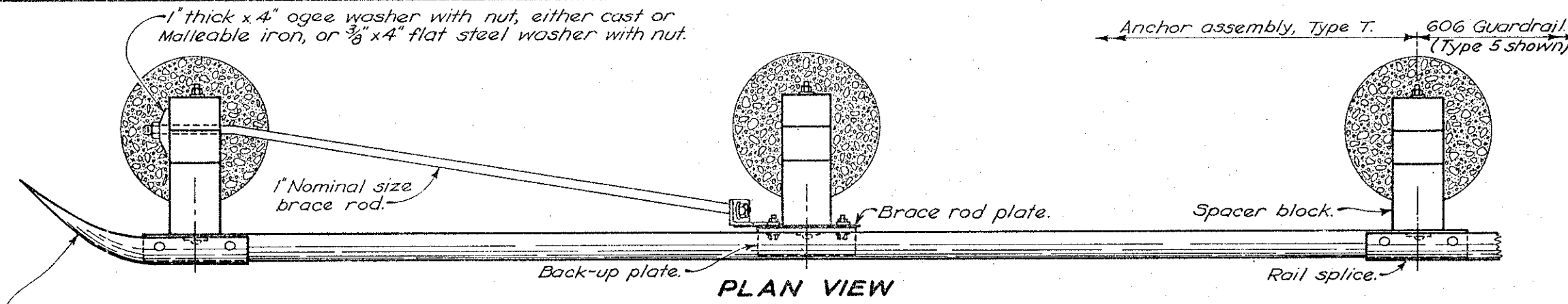
**WASHERS:** Place a galvanized rectangular plate washer between the face of rail and post bolt head. All other washers indicated are standard galvanized steel of the appropriate size.

**POSTS** shall be the same as used on the adjacent guardrail, with 4 inch minimum concrete encasement.

**SPACER BLOCKS** shall be omitted if the adjacent run of guardrail does not have spacer blocks. If necessary, spacer blocks may be notched in the field, in a manner satisfactory to the Engineer, to accommodate the installation of the brace rod plate 5/8" attachment bolts.

**BRACE ROD** assembly shall be galvanized and develop a tensile strength of at least 40,000 pounds.

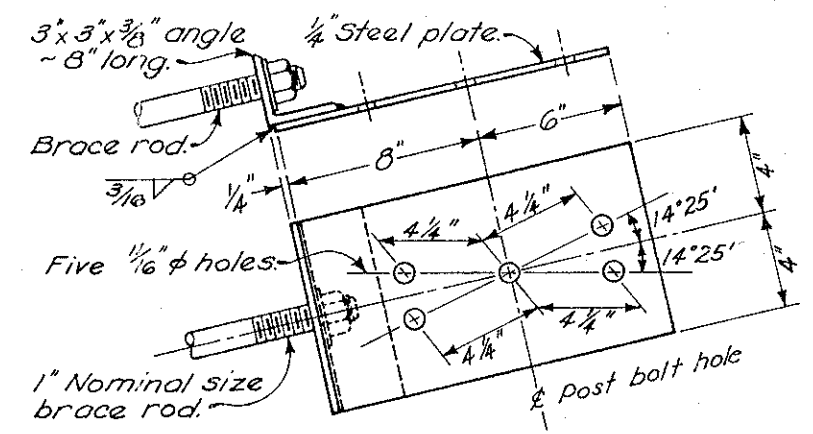
**APPLICATION:** Anchor assembly, Type T shall normally be installed at the trailing ends of roadside guardrail and tubular back-up bridge railing (see DBR-2-73) on directional roadways or ramps provided the assembly does not encroach upon the clear zone of any opposing traffic on an adjacent roadway. Whenever guardrail is to be turned back along a private drive, the Type T anchor assembly shall be located parallel to the mainline and just prior to curving the guardrail back along the driveway. The flared end section hardware piece shall be placed at the end of the driveway guardrail. The low end of the brace rod shall be closest to the driveway.



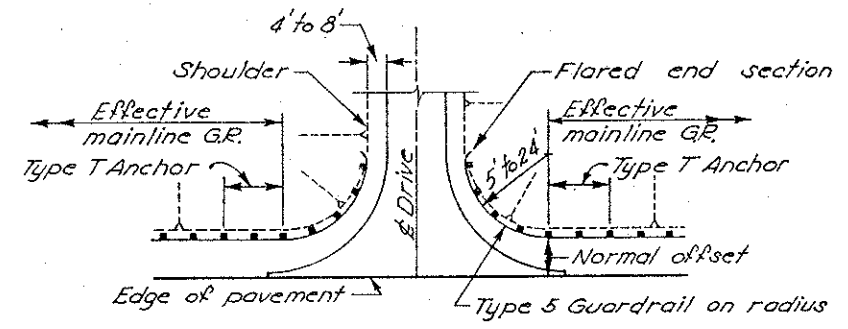
**PLAN VIEW**

**ELEVATION**

**TYPE T**



**BRACE ROD PLATE**



**DRIVEWAY OPENING**

|  |               |
|--|---------------|
| BUREAU OF LOCATION AND DESIGN<br>OHIO DEPARTMENT OF TRANSPORTATION |               |
| <b>TYPE T<br/>ANCHOR<br/>ASSEMBLY</b>                              |               |
| STANDARD<br>CONSTRUCTION<br>DRAWING                                | <b>GR-4A</b>  |
| APPROVED <i>[Signature]</i>  | ENGR., L.B.D. |
| DATE<br>7-26-76<br>2-5-82<br>1-30-84                               |               |