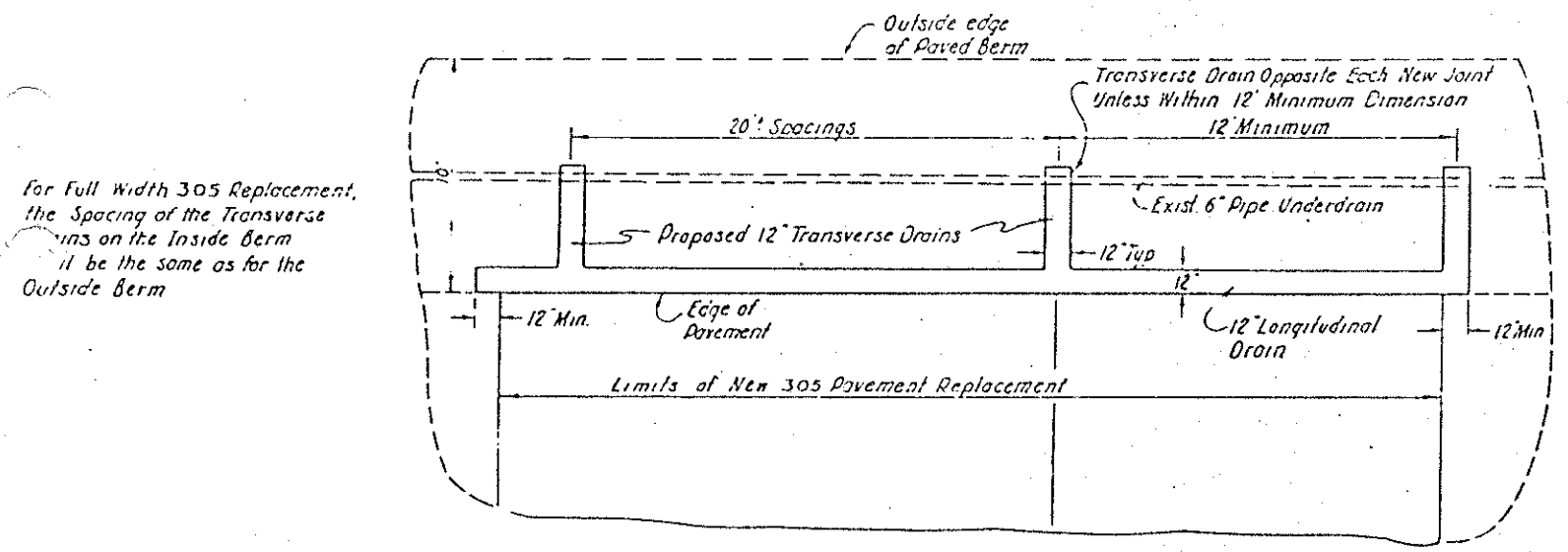
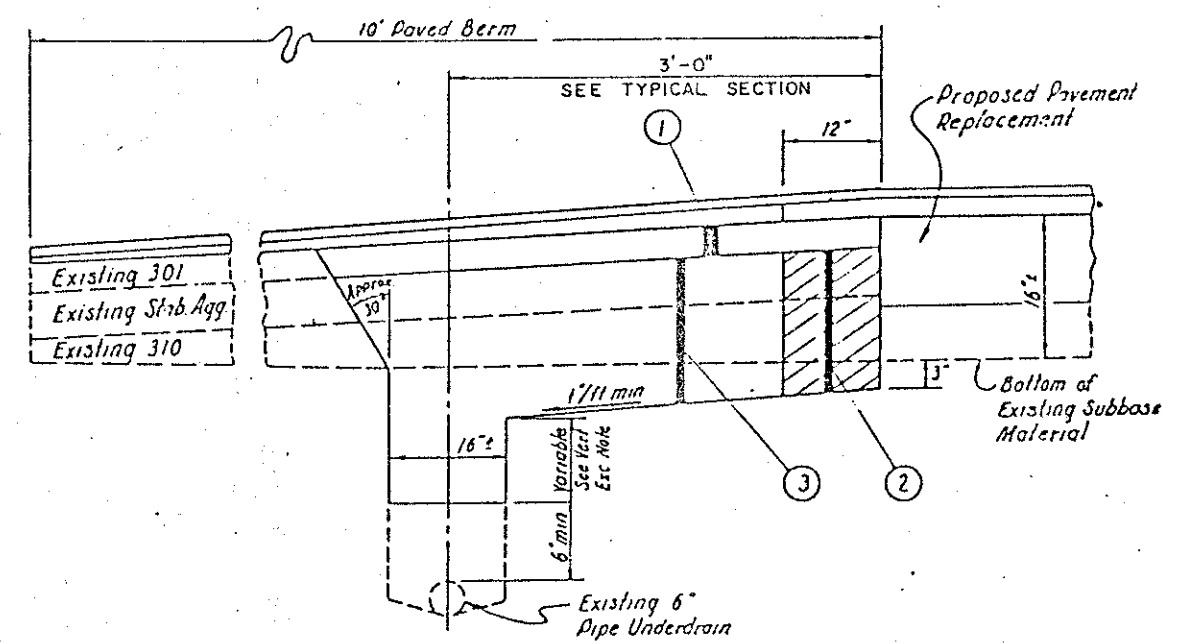


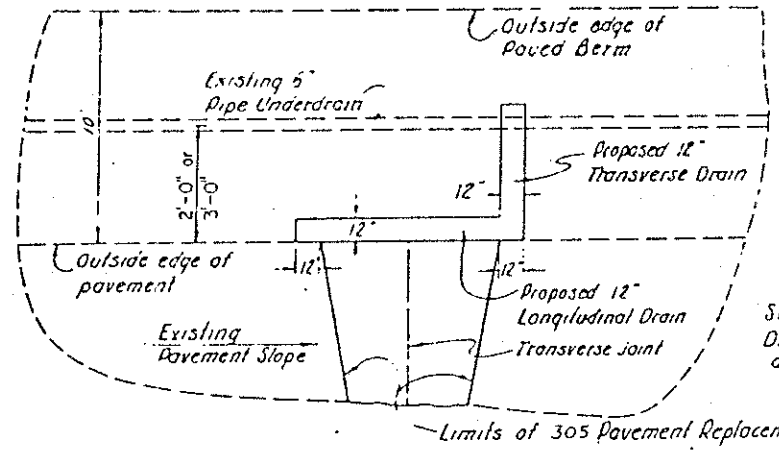
LONGITUDINAL & TRANSVERSE AGGREGATE DRAIN DETAILS



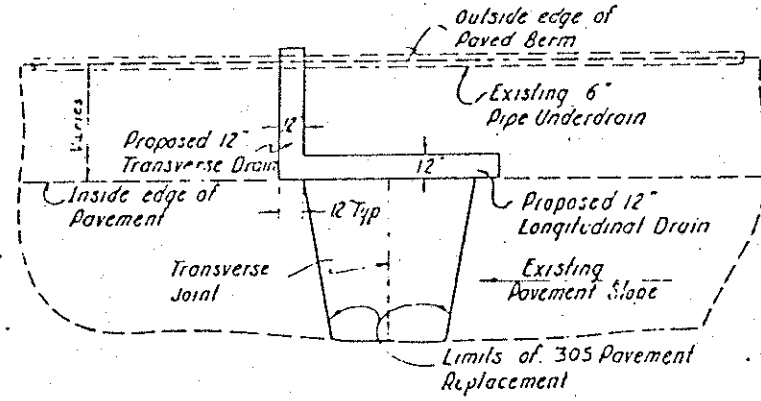
TYPICAL LONGITUDINAL AND TRANSVERSE AGGREGATE DRAIN DETAILS WITH 305 PAVEMENT REPLACEMENTS



TRANSVERSE DRAIN DETAIL FOR OUTSIDE BERM

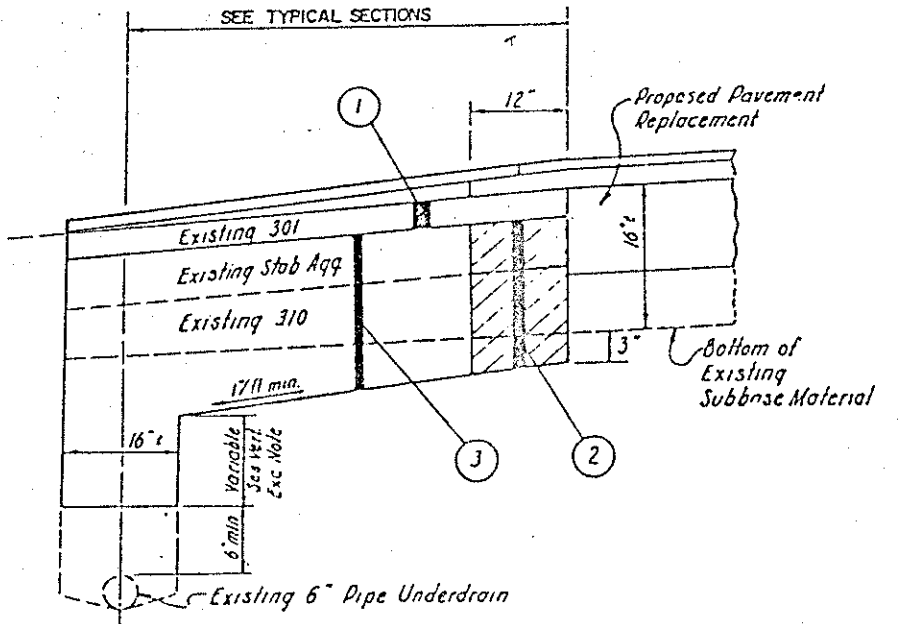


OUTSIDE PAVEMENT EDGE



INSIDE PAVEMENT EDGE

TYPICAL LONGITUDINAL AND TRANSVERSE AGGREGATE DRAIN DETAILS WITH 305 PAVEMENT REPLACEMENTS



TRANSVERSE DRAIN DETAIL FOR MEDIAN BERM

NOTES

- LONGITUDINAL AGGREGATE DRAINS SHALL BE CONSTRUCTED CONTINUOUSLY ALONG THE PAVEMENT EDGES FOR THE FULL LENGTH OF 305 PAVEMENT REPLACEMENTS (SEE SHEET 30 FOR DETAILS). TRANSVERSE AGGREGATE DRAINS SHALL BE CONSTRUCTED AT 20 FEET MAXIMUM SPACING ALONG THE LENGTH OF THE PAVEMENT REPLACEMENTS OR AS DIRECTED BY THE ENGINEER.
- THE VERTICAL LIMIT OF THE EXCAVATION SHALL BE TO SIX (6) INCHES ABOVE THE TOP OF THE EXISTING PIPE UNDERDRAIN OR TO THE TOP OF VERTICAL LIMIT OF THE EXISTING NO. 8 AGGREGATE UNDERDRAIN TRENCH BACKFILL. POSITIVE DRAINAGE MUST BE SECURED. ANY TILE BROKEN OR DAMAGED AS A RESULT OF THIS OPERATION SHALL BE REPLACED BY THE CONTRACTOR AT HIS EXPENSE.
- THE UNIT PRICE BID FOR ITEMS 605 AGGREGATE DRAINS USING NO. 8 AGGREGATE, AS PER PLAN, SHALL INCLUDE THE REMOVING AND DISPOSING OF EXISTING BERM MATERIALS, THE FURNISHING, PLACING AND COMPACTING OF THE NO. 8 AGGREGATE, FURNISHING, PLACING AND COMPACTING OF THE ASPHALT CONCRETE AND ALL INCIDENTAL REQUIREMENTS NECESSARY TO COMPLETE THESE ITEMS.
- THE ASPHALT CONCRETE SHALL BE PLACED AND COMPACTED ON THE BERMS AS DIRECTED BY THE ENGINEER FOR THE AGGREGATE DRAIN ESTIMATED QUANTITIES.

DESIGNED BY: KSE
CHECKED BY: JAM

ESTIMATED QUANTITIES	
QUANTITY CALCULATIONS	
LONGITUDINAL DRAINS -	APPROXIMATELY 1 L.F./S.Y. OF PAV'T REPLACEMENT
TRANSVERSE DRAINS -	APPROXIMATELY 1/2 L.F./S.Y. OF PAV'T REPLACEMENT
COMBINED AGGREGATE DRAIN QUANTITY = 1.5 L.F./S.Y.	
ITEM 605, AGGREGATE DRAIN, AS PER PLAN USING N# 8 AGGREGATE:	7,260 L.F.

- ① 3" Min. Asphalt Concrete AC-20 (Item 402 or 848) Match Ex. Thickness
- ② 605 Longitudinal Aggregate Drain, As Per Plan, Using No. 8 Aggregate
- ③ 605 Transverse Aggregate Drain, As Per Plan, Using No. 8 Aggregate