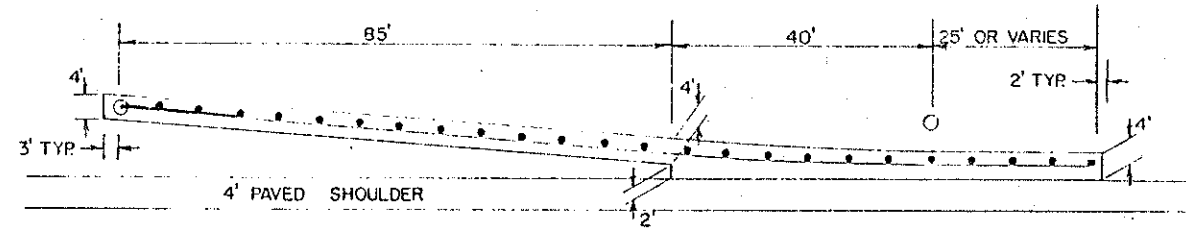
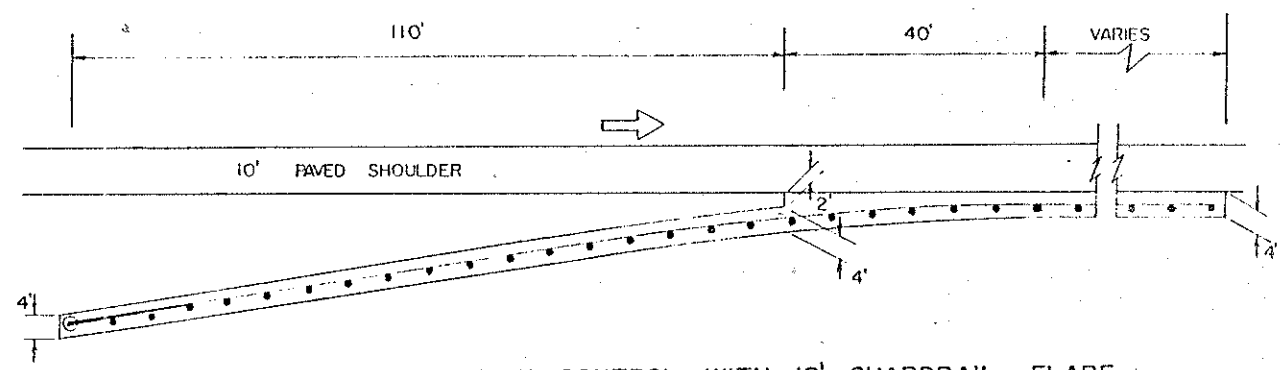


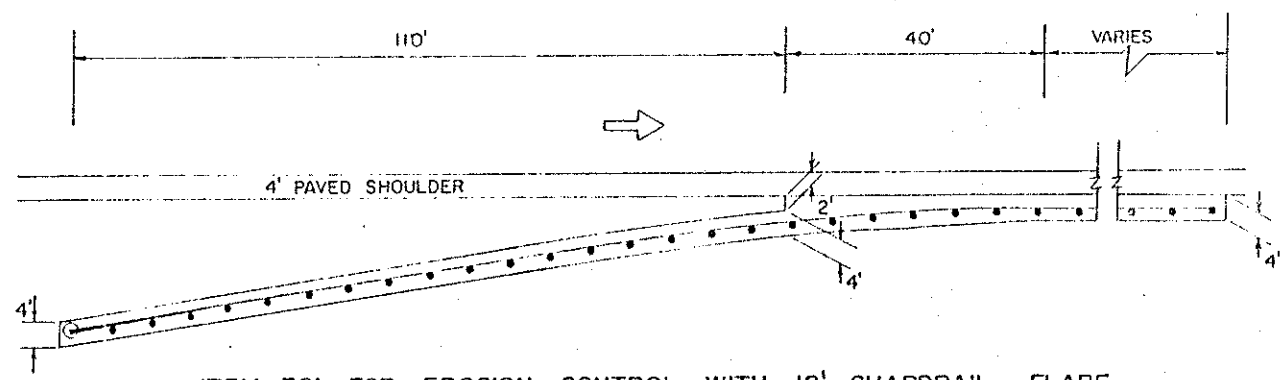
ITEM 301 FOR EROSION CONTROL WITH 8.30' GUARDRAIL FLARE



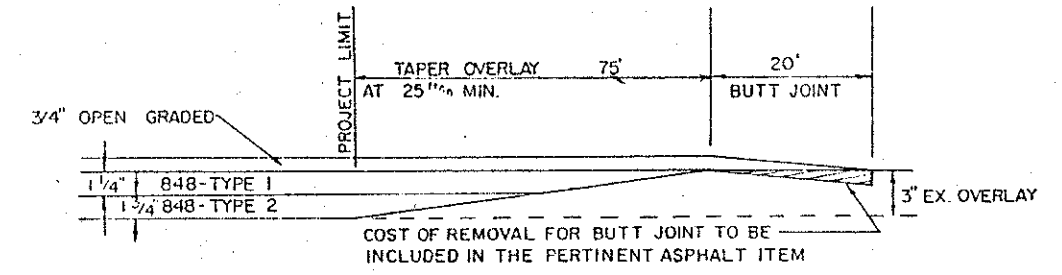
ITEM 301 FOR EROSION CONTROL WITH 8.30' GUARDRAIL FLARE



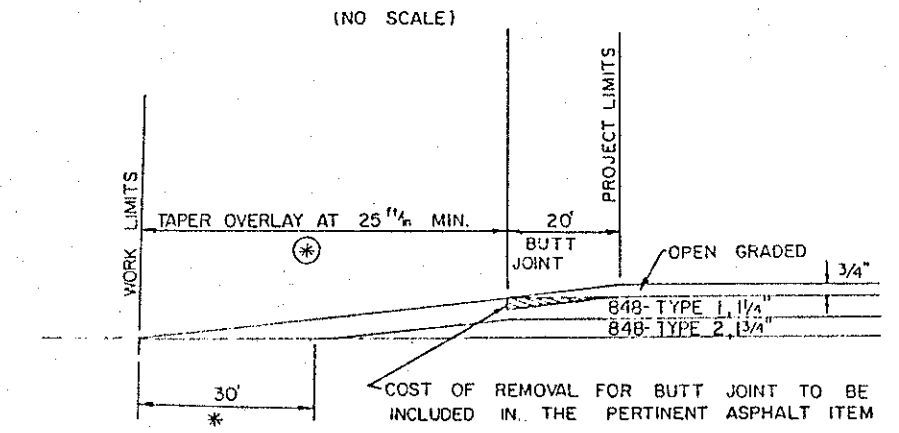
ITEM 301 FOR EROSION CONTROL WITH 18' GUARDRAIL FLARE



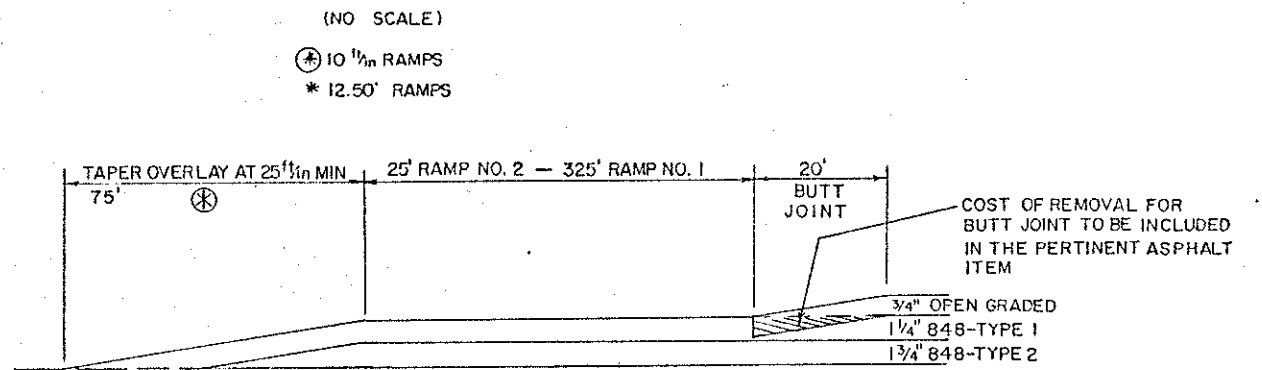
ITEM 301 FOR EROSION CONTROL WITH 18' GUARDRAIL FLARE



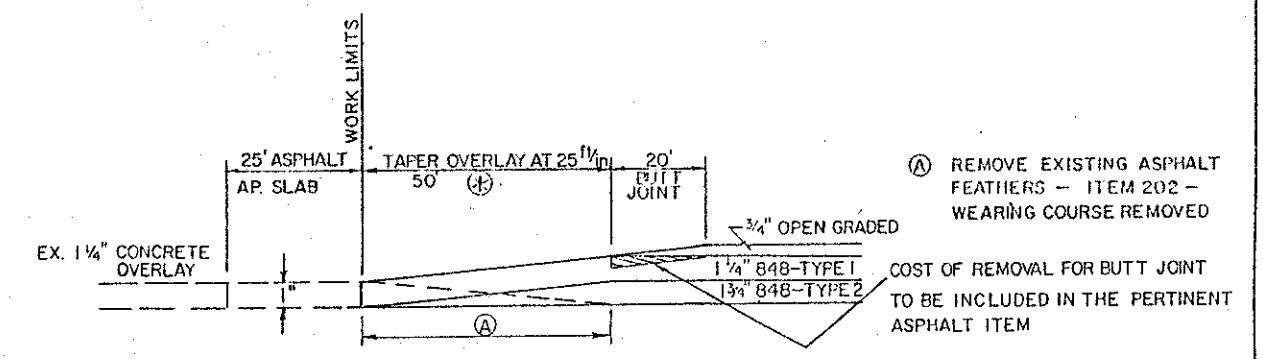
FEATHER DETAIL ADJACENT TO PREVIOUSLY OVERLAID ROADWAY



FEATHER DETAIL ADJACENT TO NON-OVERLAID STRUCTURE OR ROADWAY



FEATHER DETAIL ADJACENT TO NON-OVERLAID ROADWAY AT STOP-START CONDITIONS (NO SCALE)



FEATHER DETAIL ADJACENT TO OVERLAID STRUCTURE (NO SCALE)

- (A) REMOVE EXISTING ASPHALT FEATHERS - ITEM 202 - WEARING COURSE REMOVED
- COST OF REMOVAL FOR BUTT JOINT TO BE INCLUDED IN THE PERTINENT ASPHALT ITEM