

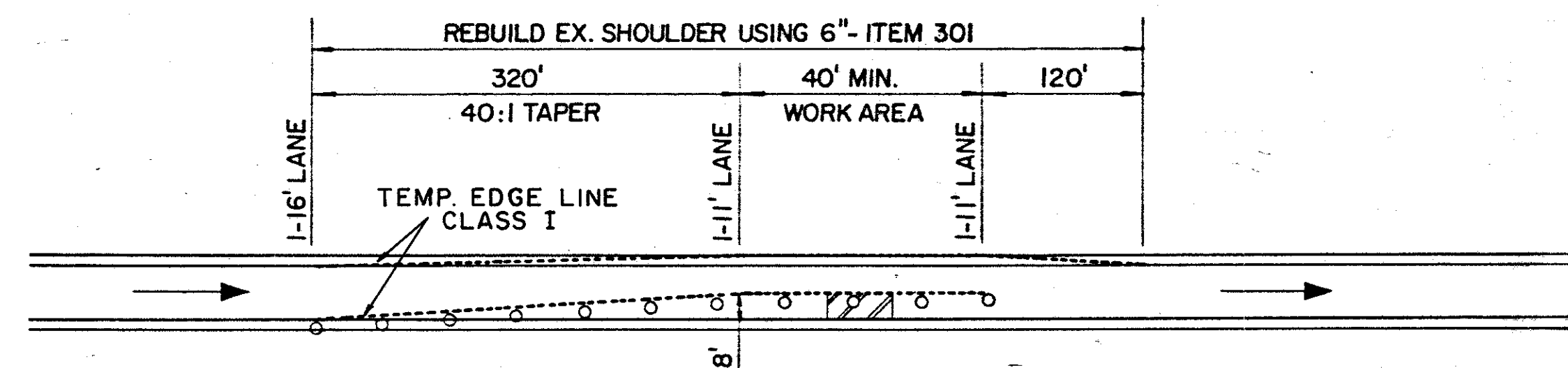
FHWA REGION	STATE	PROJECT
5	OHIO	

16
38

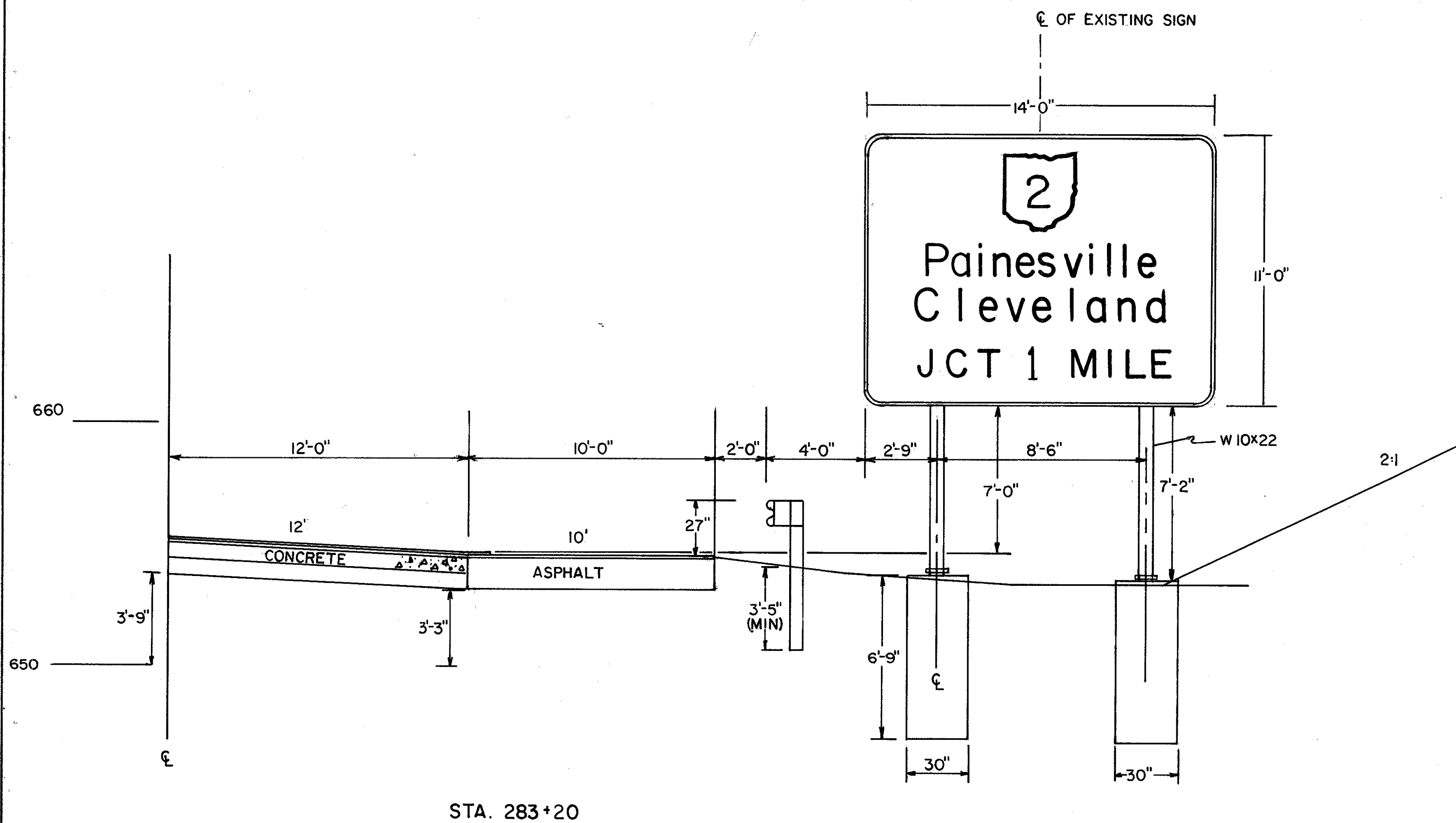
LAKE COUNTY
LAK-44-414

RELOCATED SIGN

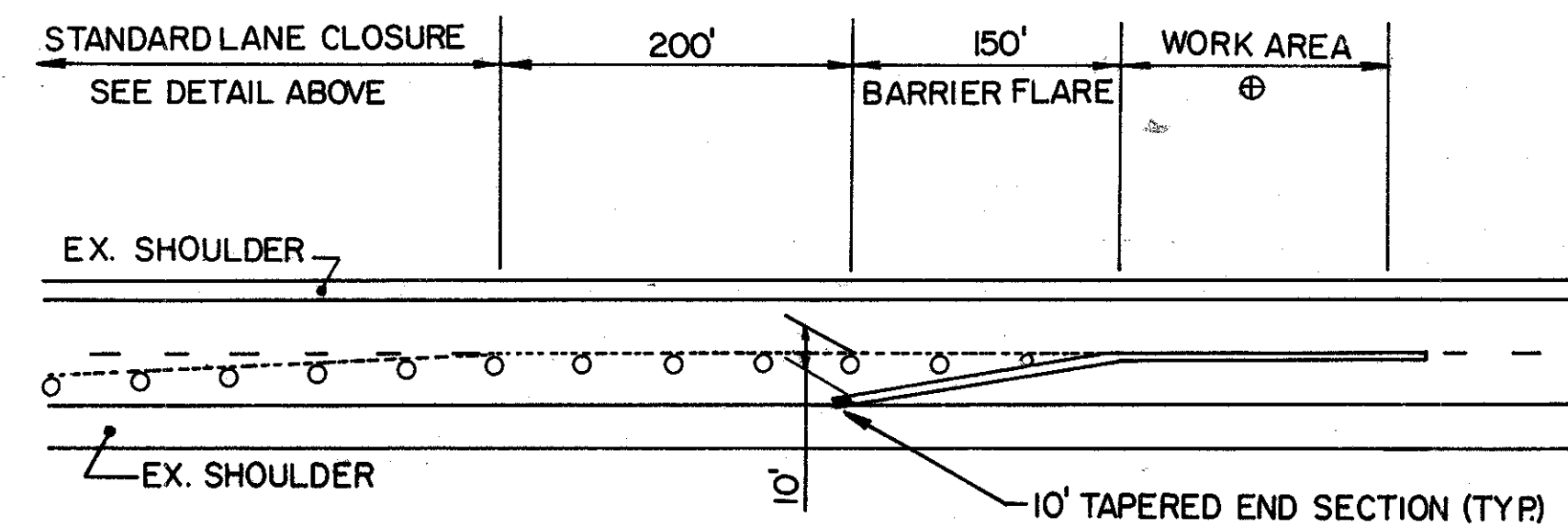
TRAFFIC MAINTENANCE



REPAIR OF 1 LANE RAMP
LEFT SHOULDER SHIFT SHOWN, REVERSE FOR RIGHT SHOULDER SHIFT.



STA. 283+20



TYPICAL TEMP. CONCRETE BARRIER

FOR TEMPORARY HAZARD PROTECTION AS DISCUSSED IN THE GENERAL NOTES.

⊕-WORK AREA INCLUDES AREAS WHERE HEAVY EQUIPMENT OR MATERIALS MAY BE STORED.