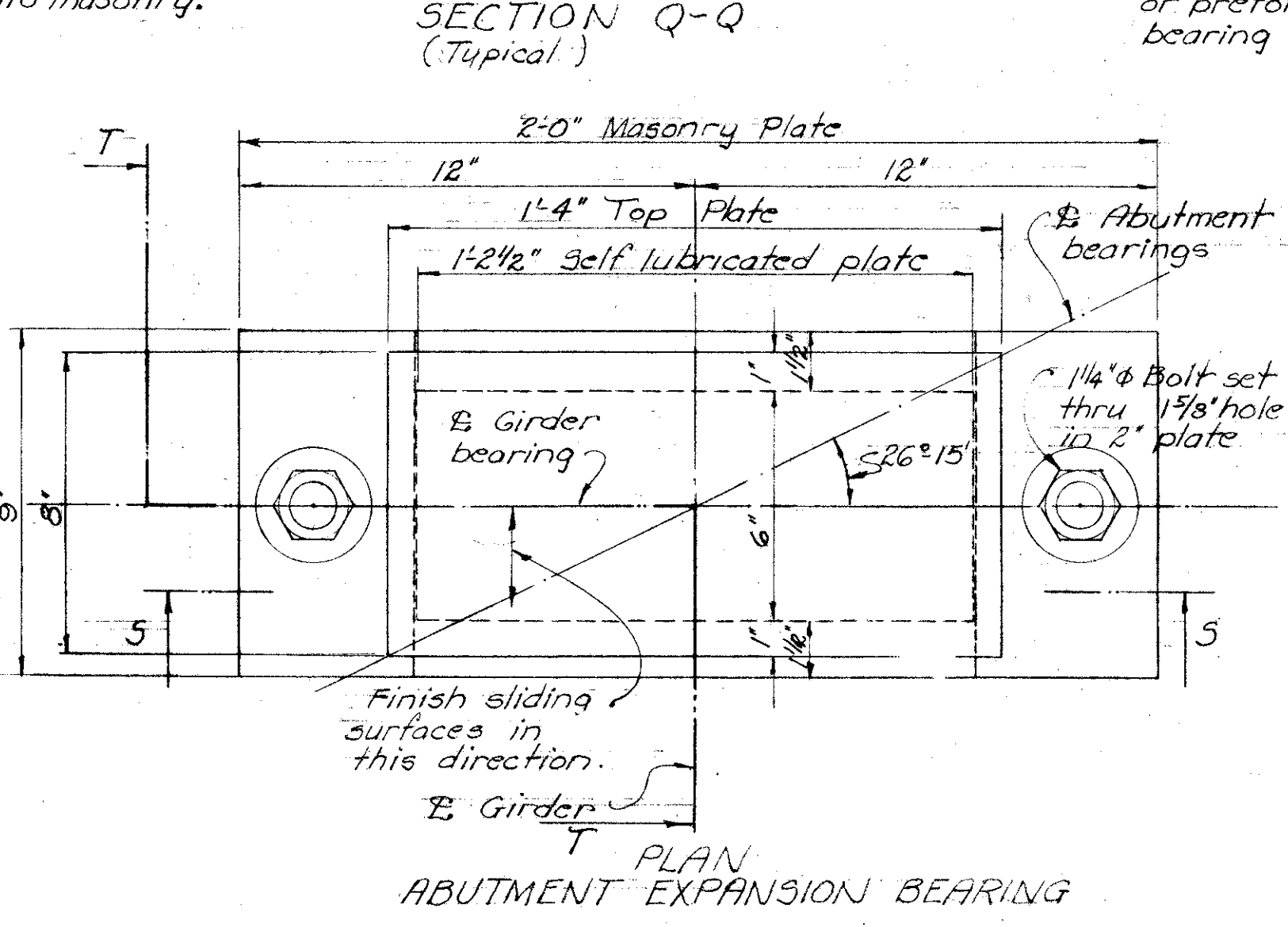
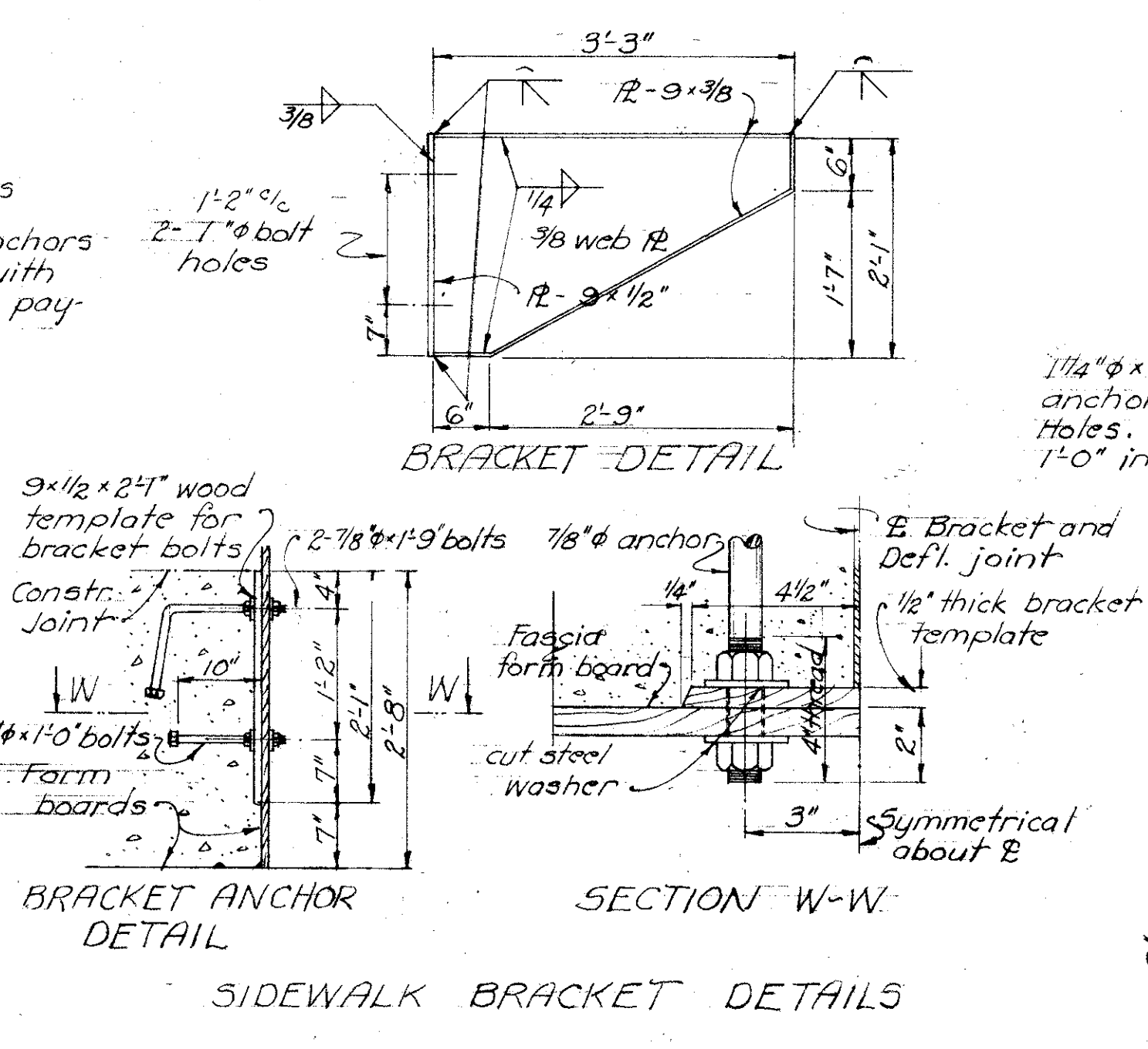
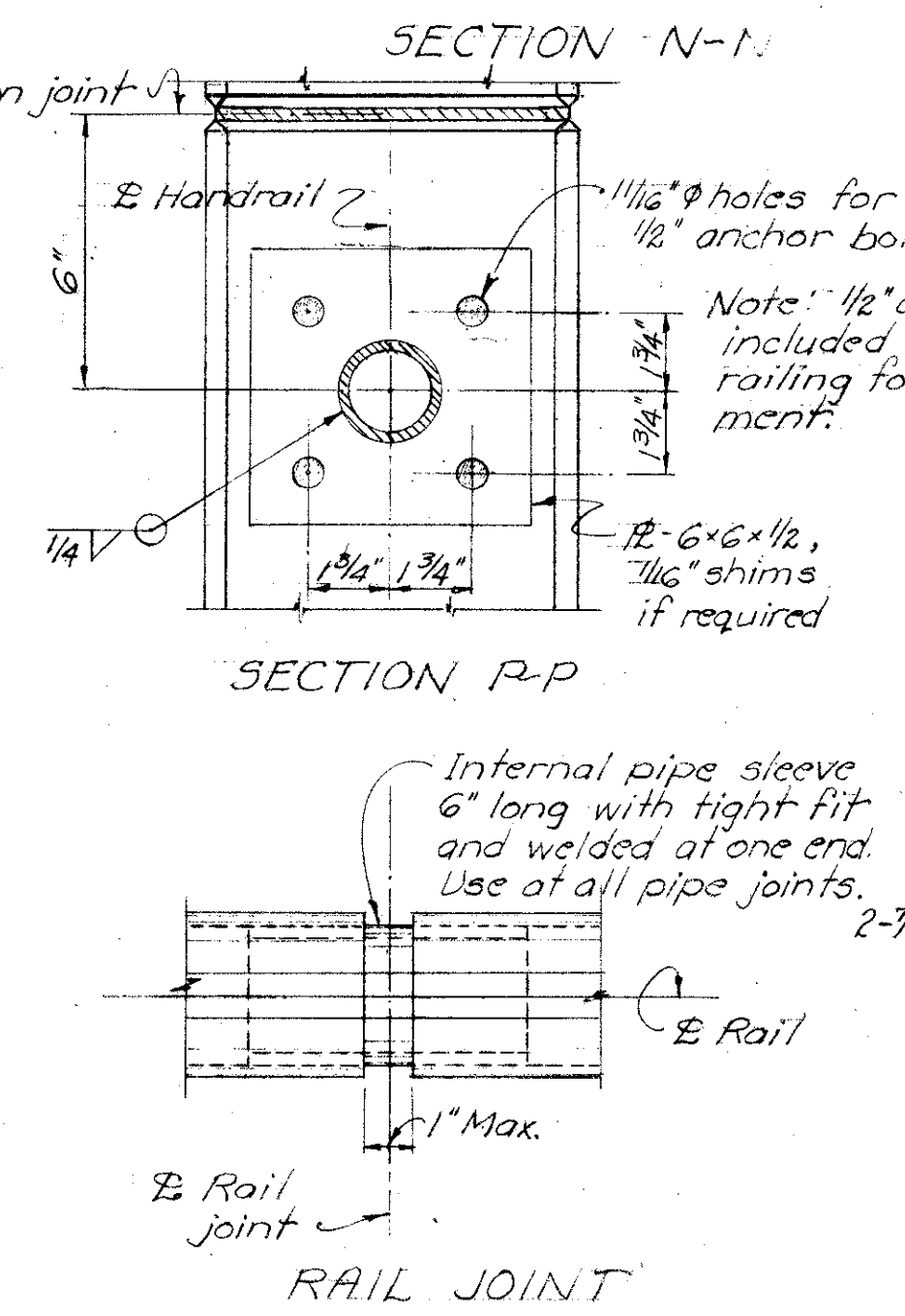
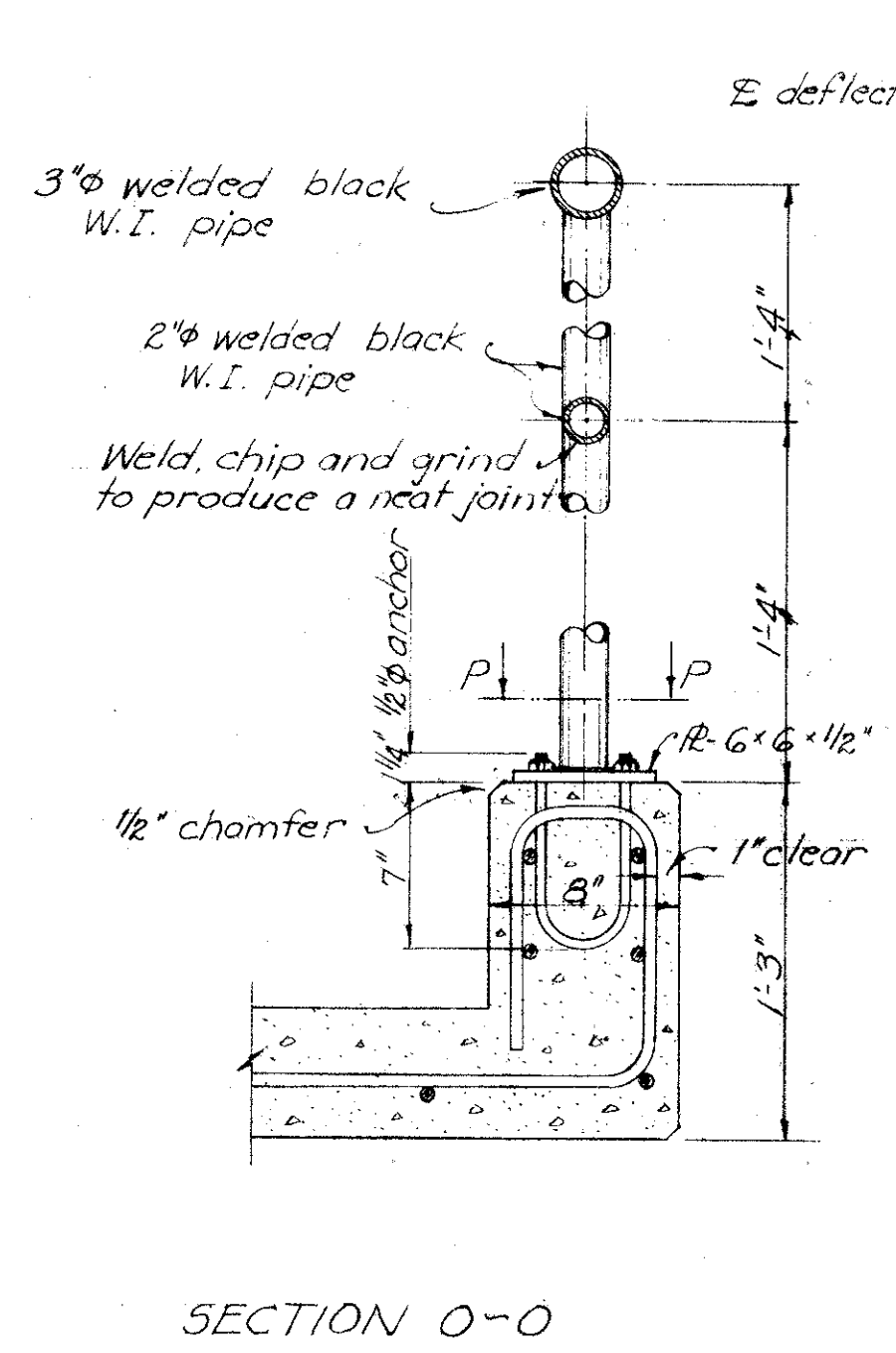
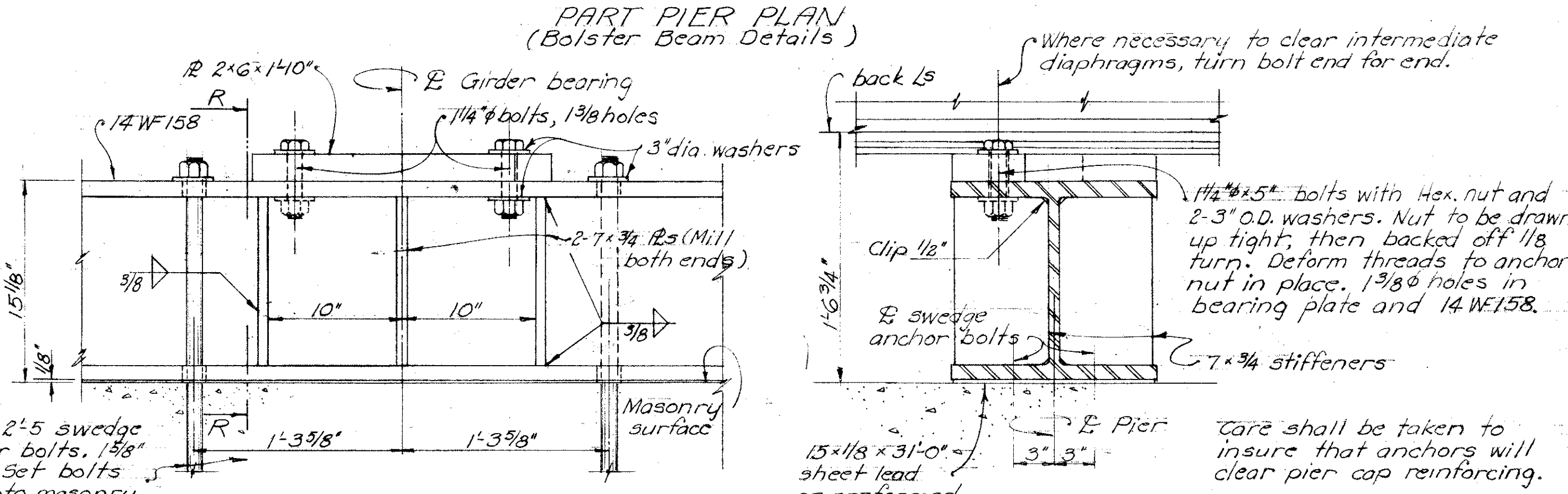
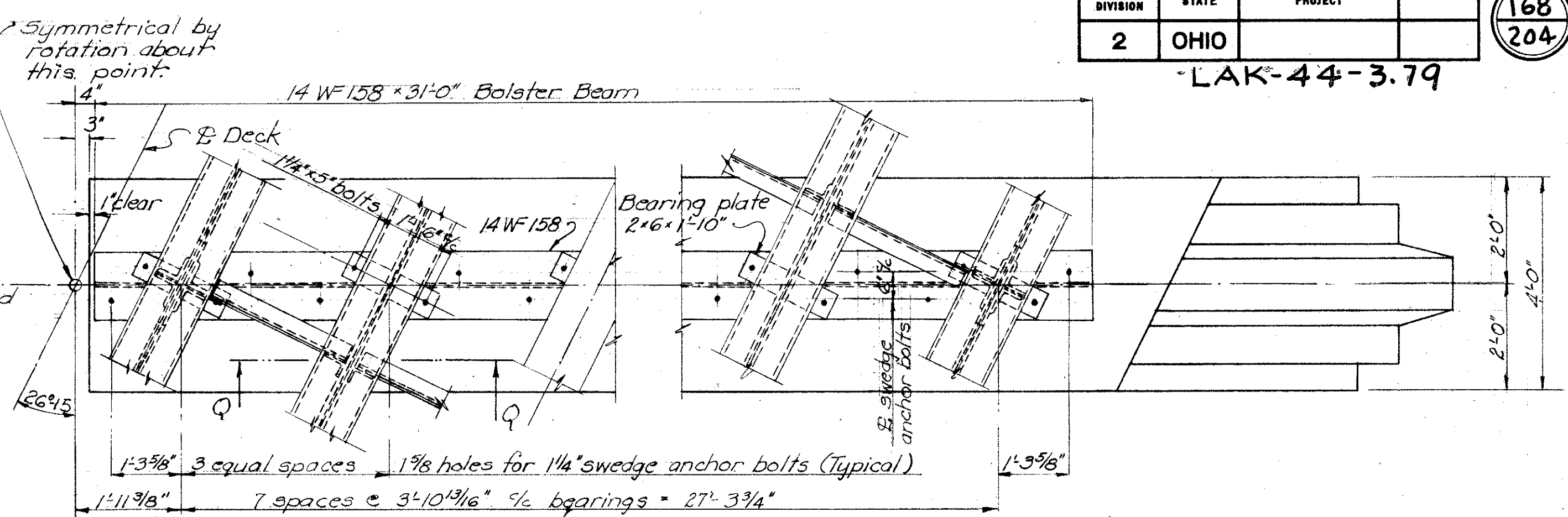
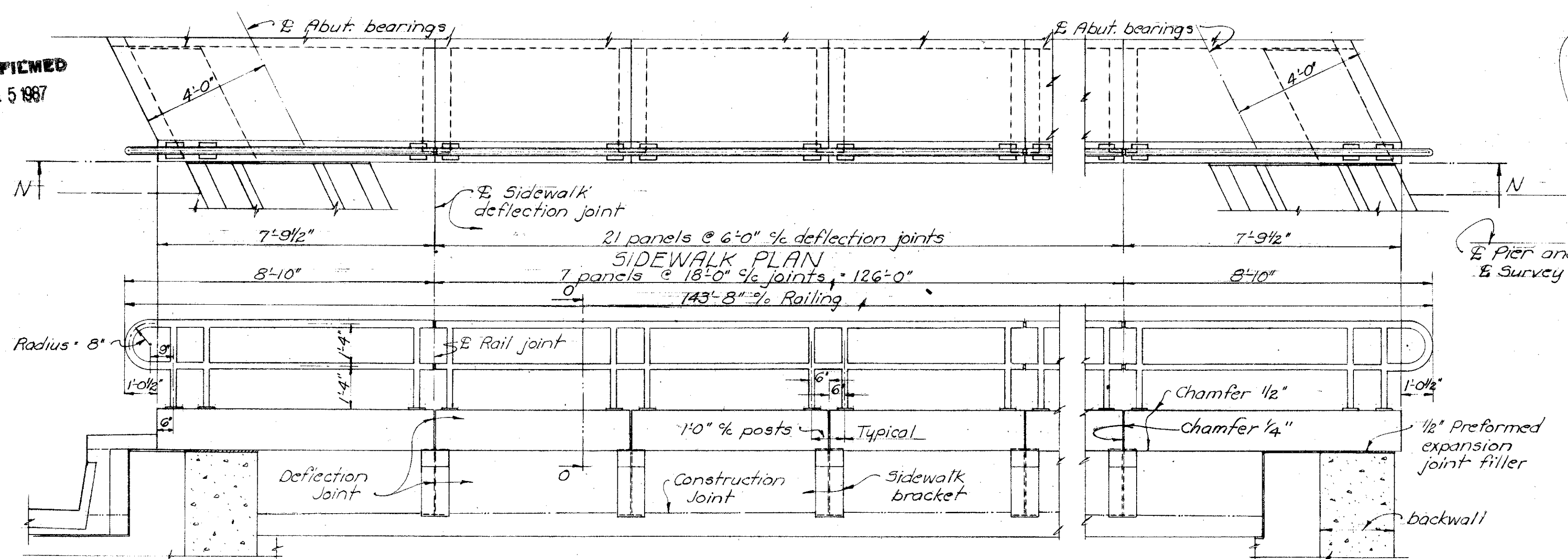
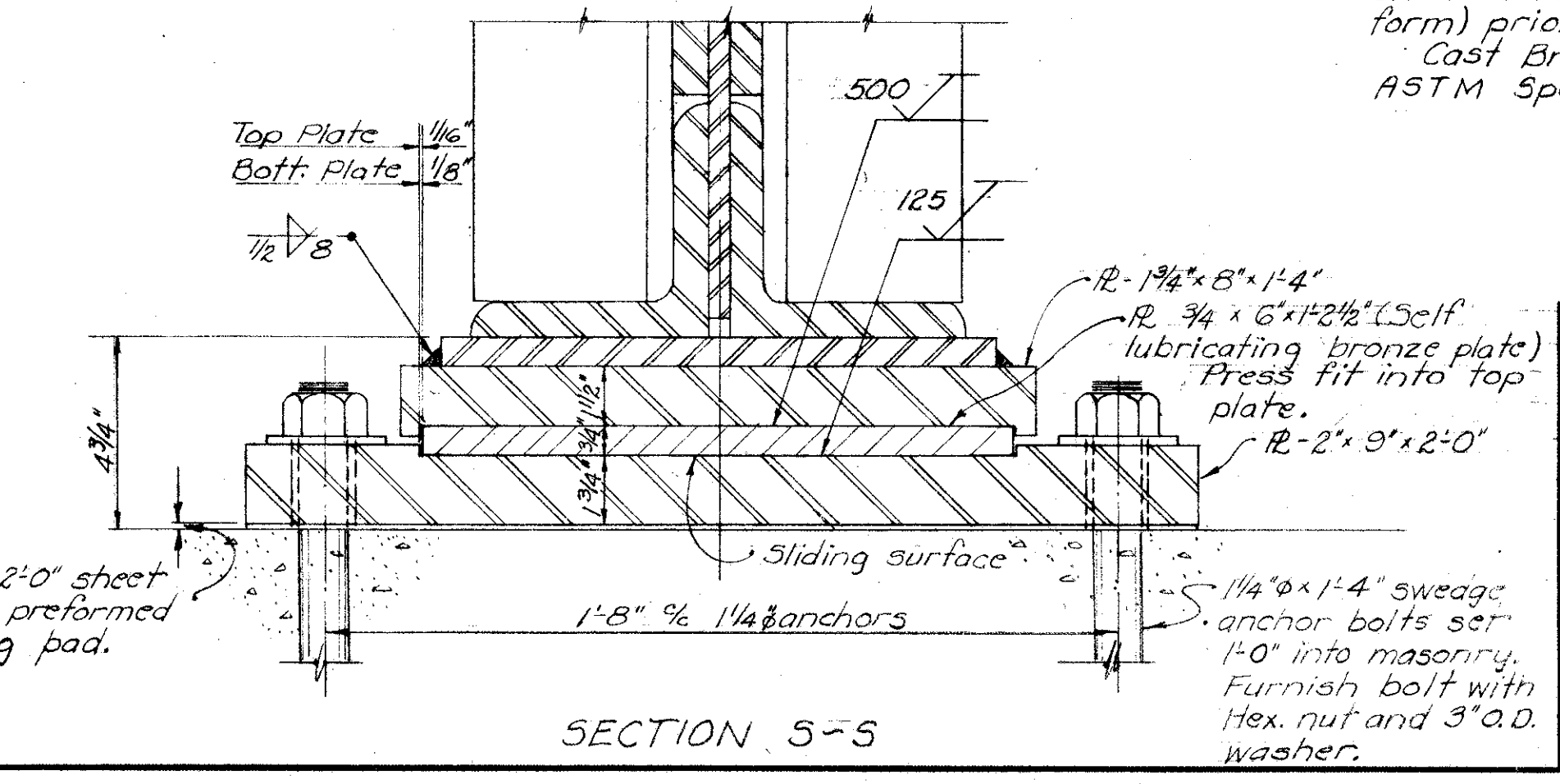


MICROFILMED
DEC 15 1987

FED. RD. DIVISION	STATE	PROJECT	168
2	OHIO	LAK-44-3.79	204



BEARING NOTES
Bearing material including steel plates, lead or preformed bearing pads, self-lubricating bronze plates, lubricant and anchor bolts are included with Item 5-107 Structural Steel for payment.
Self-lubricating bronze plates shall be Lubrite Expansion Plates with trepanned inserts or an approved equal. The manufacturer of the bronze plates shall furnish lubricant in stick form for use in the field. Steel sliding surfaces shall be coated with white lead and tallow in the shop. This coating shall be replaced with lubricant (furnished in stick form) prior to assembly of the bearing in the field.
Cast Bronze shall meet the requirements of ASTM Specification B22-52, Alloy B.



STATE OF OHIO DEPARTMENT OF HIGHWAYS DIVISION OF DESIGN AND CONSTRUCTION BUREAU OF BRIDGES			
TEMPORARY WALKWAY AND ADDITIONAL SUPERSTRUCTURE DETAILS			
BRIDGE NO LAK-44-0483 -under- NYC. f ST L. R.R			
LAKE COUNTY		Sta. 271+64.18	
DESIGNED	DRAWN	TRACED	CHECKED
MPB	MPB	WCK	BFG
		REVIEWED	DATE
		BFG	8-8-61