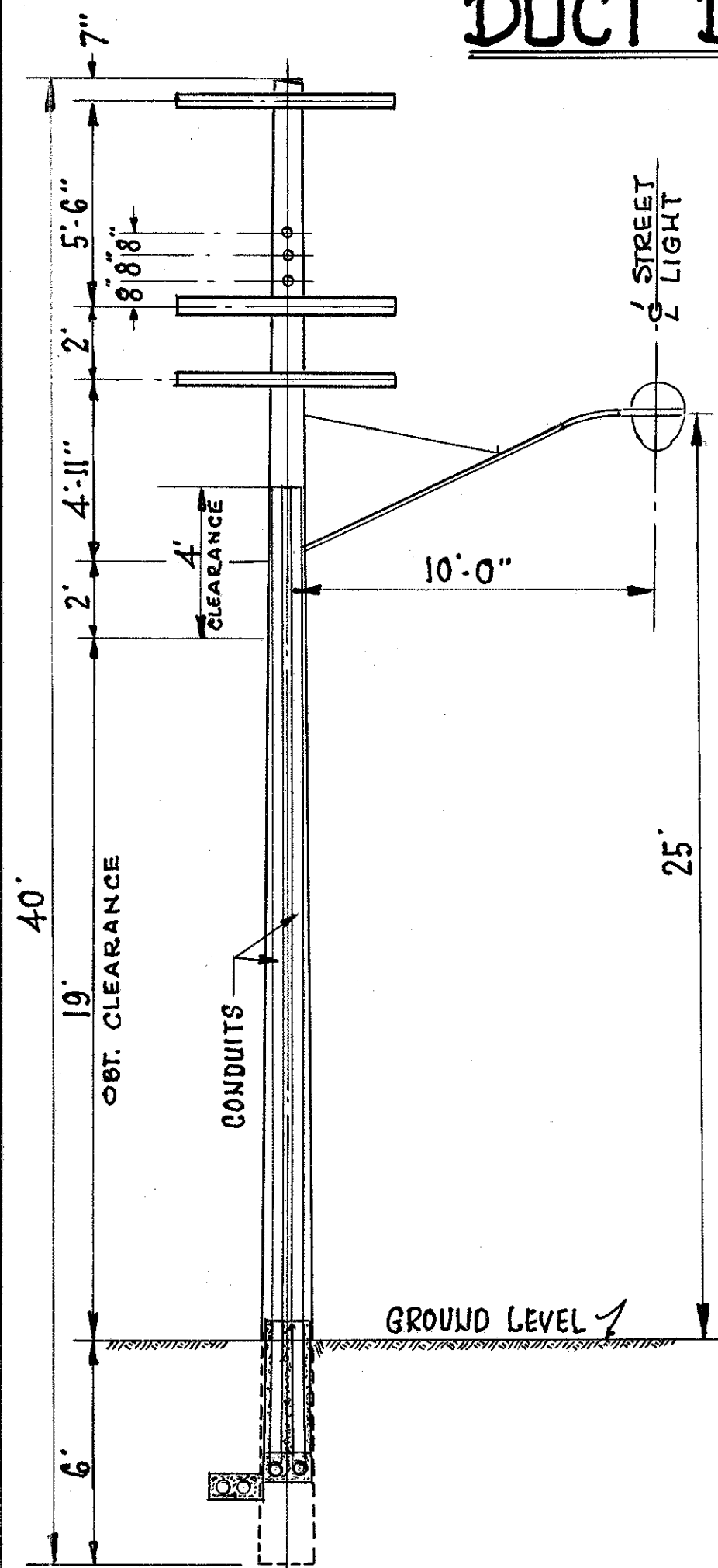
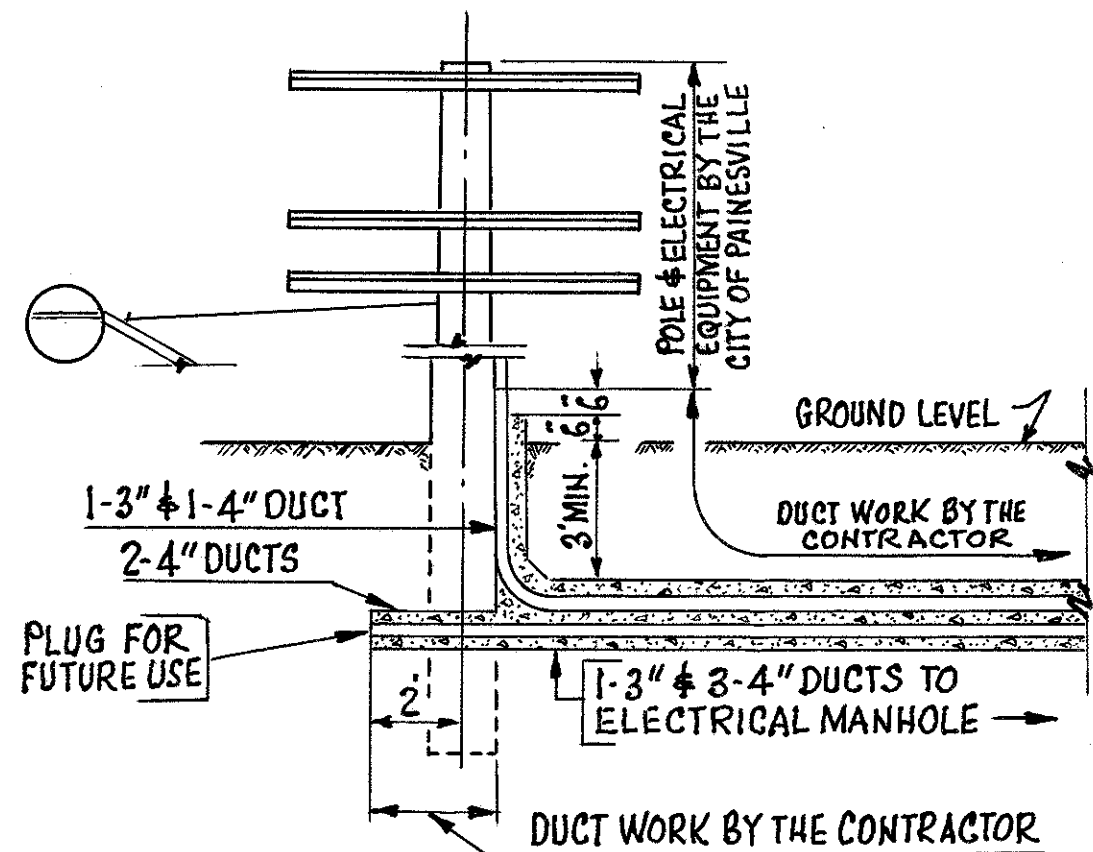
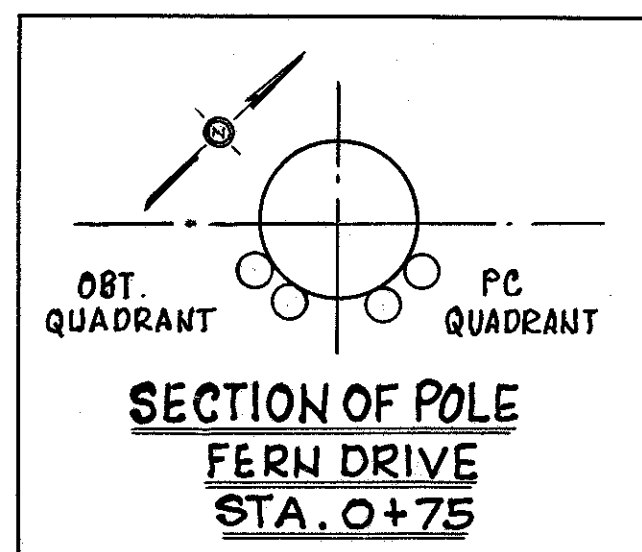


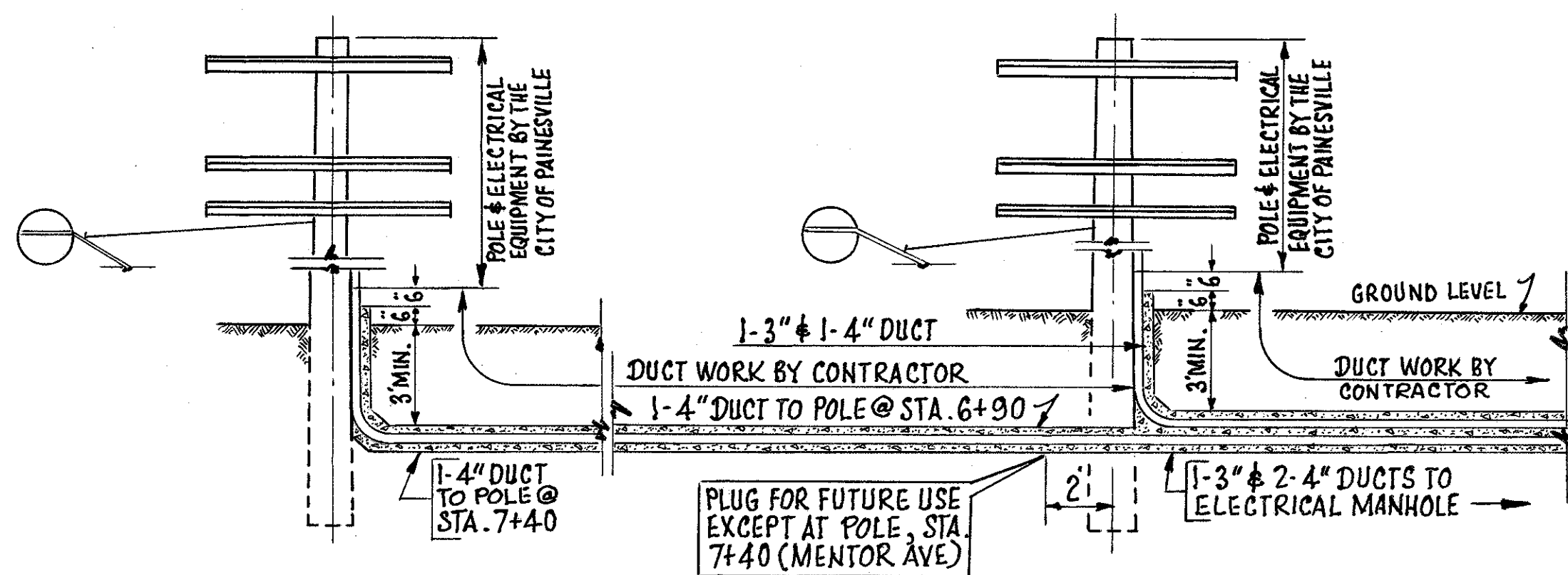
DUCT DETAILS OF POLES



TYPICAL LIGHT POLE
CITY OF PAINESVILLE
SCALE: 1/4" = 1'-0"



MENTOR AVE (Sta. 12+50)
JACKSON ST. (Sta. 11+58)



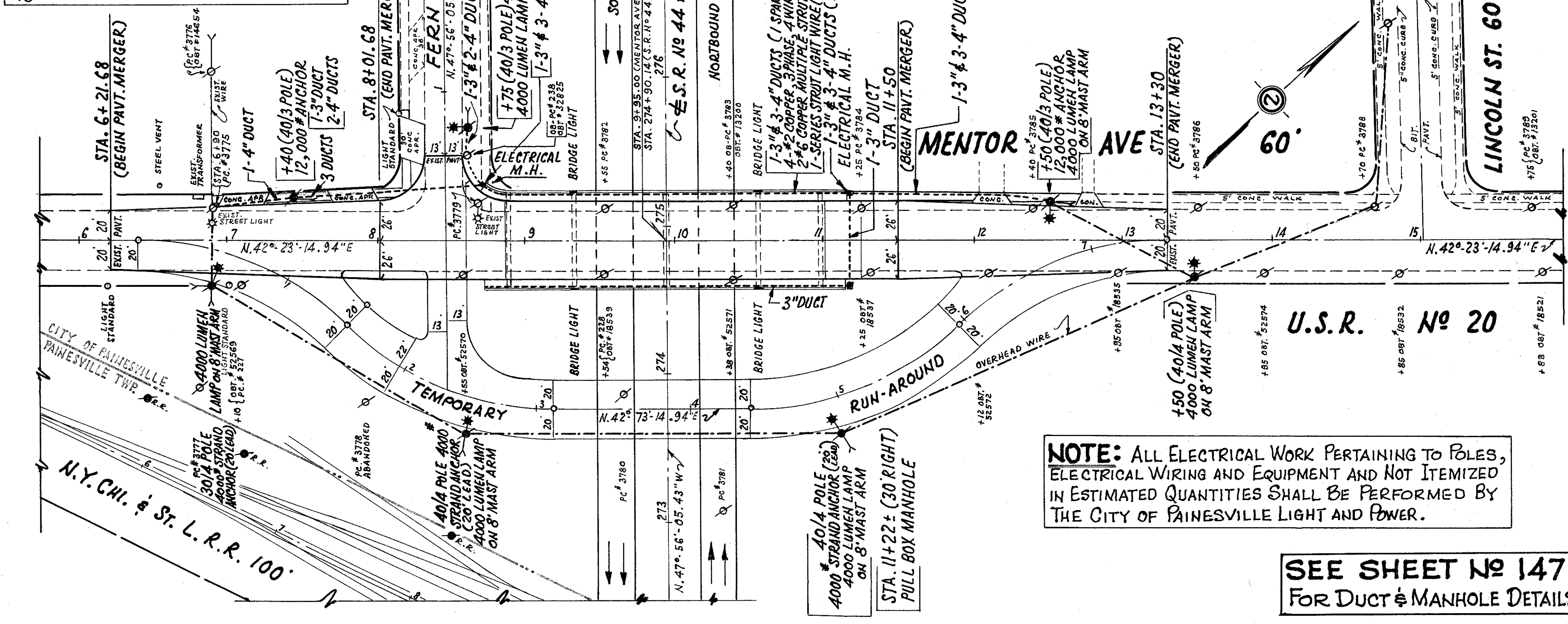
MENTOR AVE
STA. 6+90

MENTOR AVE (Sta. 7+40)
JACKSON ST. (Sta. 7+88)
FERN DRIVE (Sta. 0+75) & (Sta. 8+19)

DUCT DETAILS AT POLES
SCALE: 1/4" = 1'-0"

LEGEND
 - PROPOSED POLES
 - EXISTING POLES
 - UNDERGROUND DUCTS
 - OVERHEAD WIRES

ANCHOR CABLE
 3/4" DIA. x 7" DOUBLE EYE GALVANIZED ROD WITH
 3/8" COPPERWELD EXTRA HIGH STRENGTH GUY WIRE.



NOTE: ALL ELECTRICAL WORK PERTAINING TO POLES, ELECTRICAL WIRING AND EQUIPMENT AND NOT ITEMIZED IN ESTIMATED QUANTITIES SHALL BE PERFORMED BY THE CITY OF PAINESVILLE LIGHT AND POWER.

SEE SHEET NO 147
FOR DUCT & MANHOLE DETAILS.

ESTIMATED QUANTITIES (U-388(12) MUNICIPAL)				
ITEM	DESCRIPTION	MENTOR AVE	JACKSON STREET	TOTAL UNIT
S-25	1-3" DUCT, CONCRETE ENCASED	66	-	66 LIN. FT.
S-25	1-4" DUCT, CONCRETE ENCASED	54	-	54 LIN. FT.
S-25	1-3" & 1-4" DUCT, CONCRETE ENCASED	11	7	18 LIN. FT.
S-25	1-3" & 2-4" DUCT, CONCRETE ENCASED	168	112	280 LIN. FT.
S-25	1-3" & 3-4" DUCTS (TYPE "A") CONCR. ENCASED	125	30	155 LIN. FT.
S-25	1-3" & 3-4" DUCTS (TYPE "B") CONCR. ENCASED	10	10	20 LIN. FT.
E-8	ELECTRICAL MANHOLES	2	2	4 EACH
I-8	PULL BOX MANHOLE	1	-	1 EACH

