

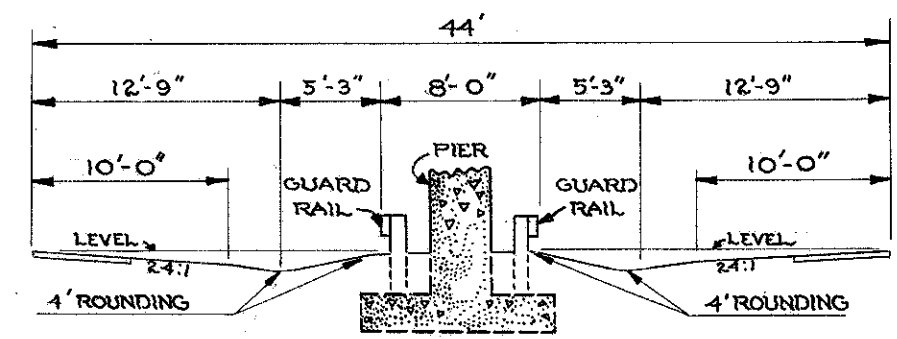
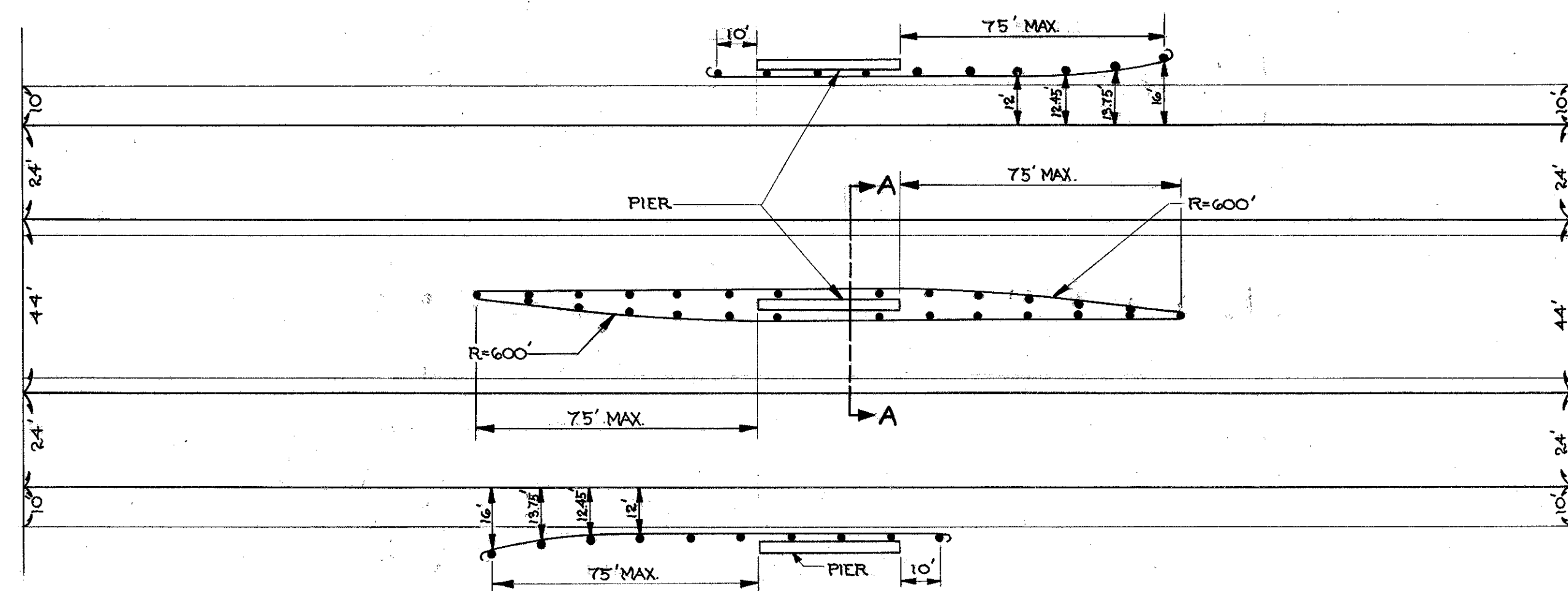
GUARD RAIL DETAILS

SCALE: 1" = 30'

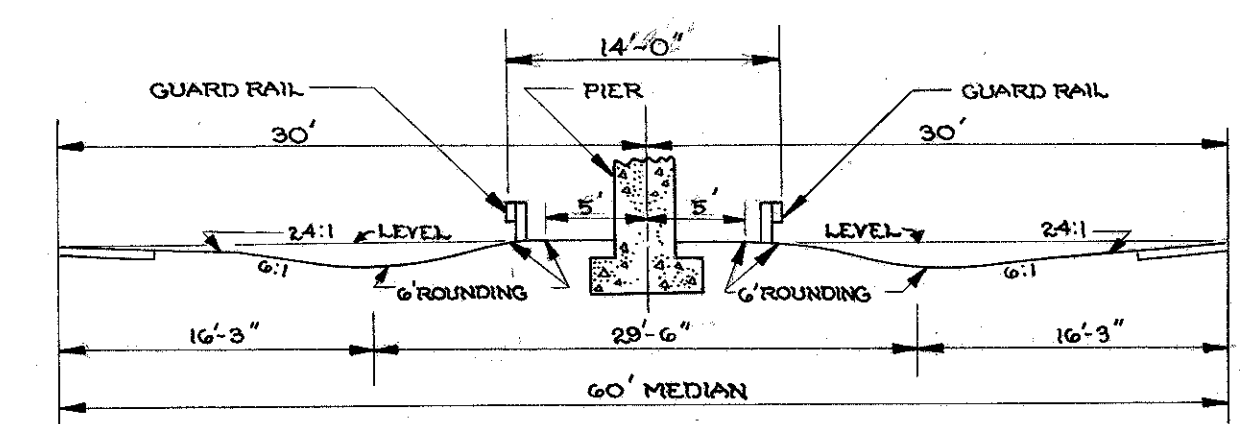
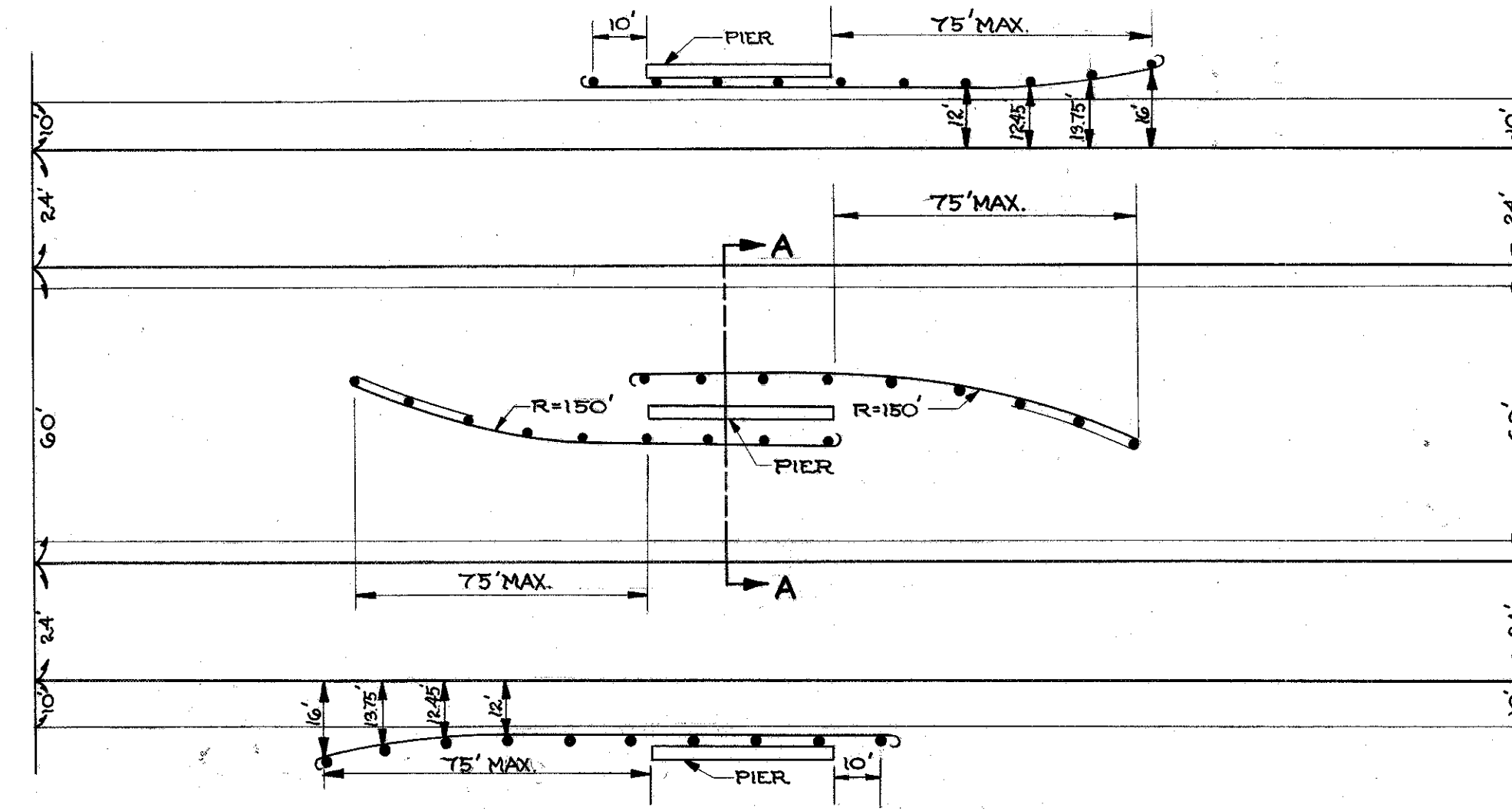
| | | |
|-------------------|-------|---------|
| FED. RD. DIVISION | STATE | PROJECT |
| 2 | OHIO | |

140
204

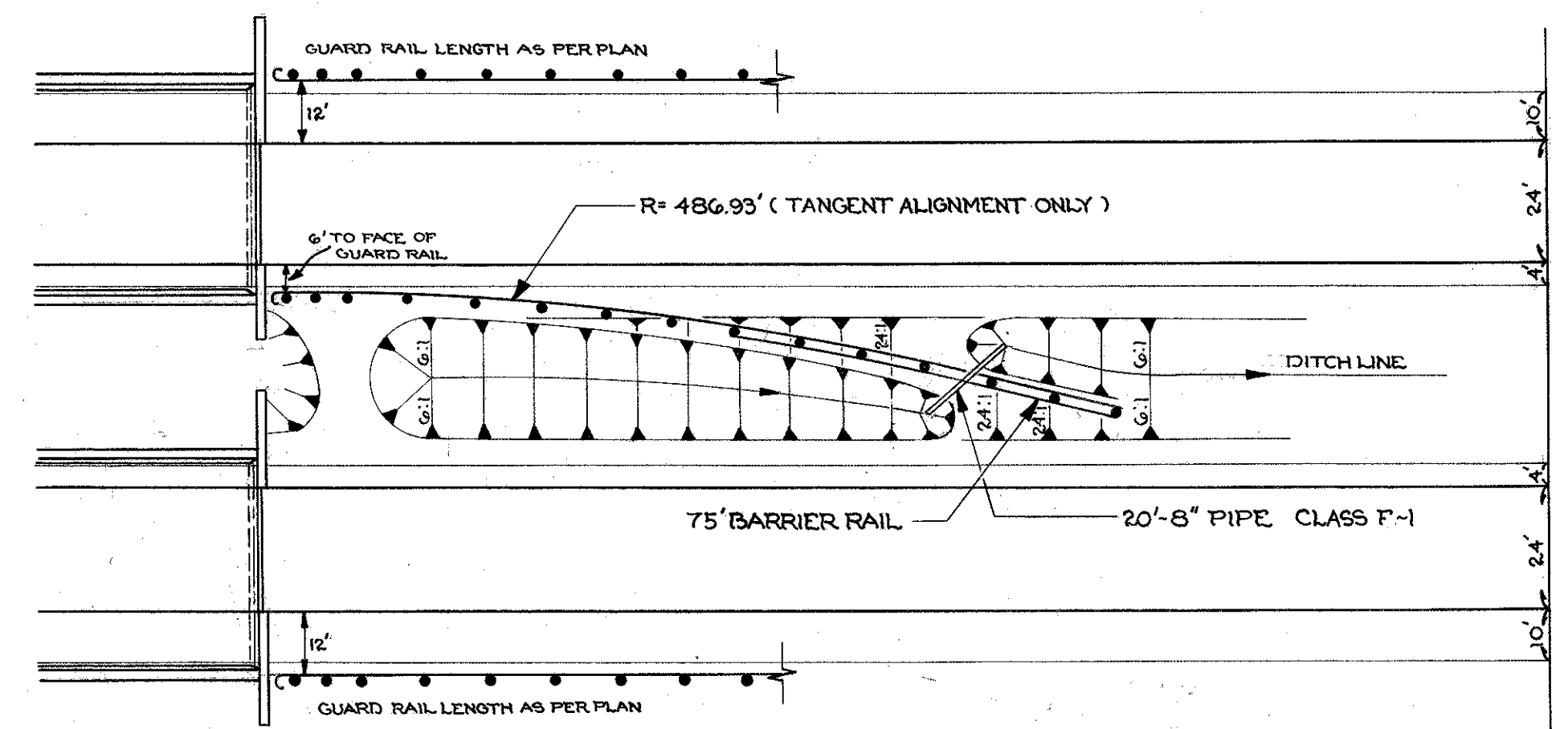
LAKE COUNTY
LAK. 44-379



SECTION A-A
44' MEDIAN

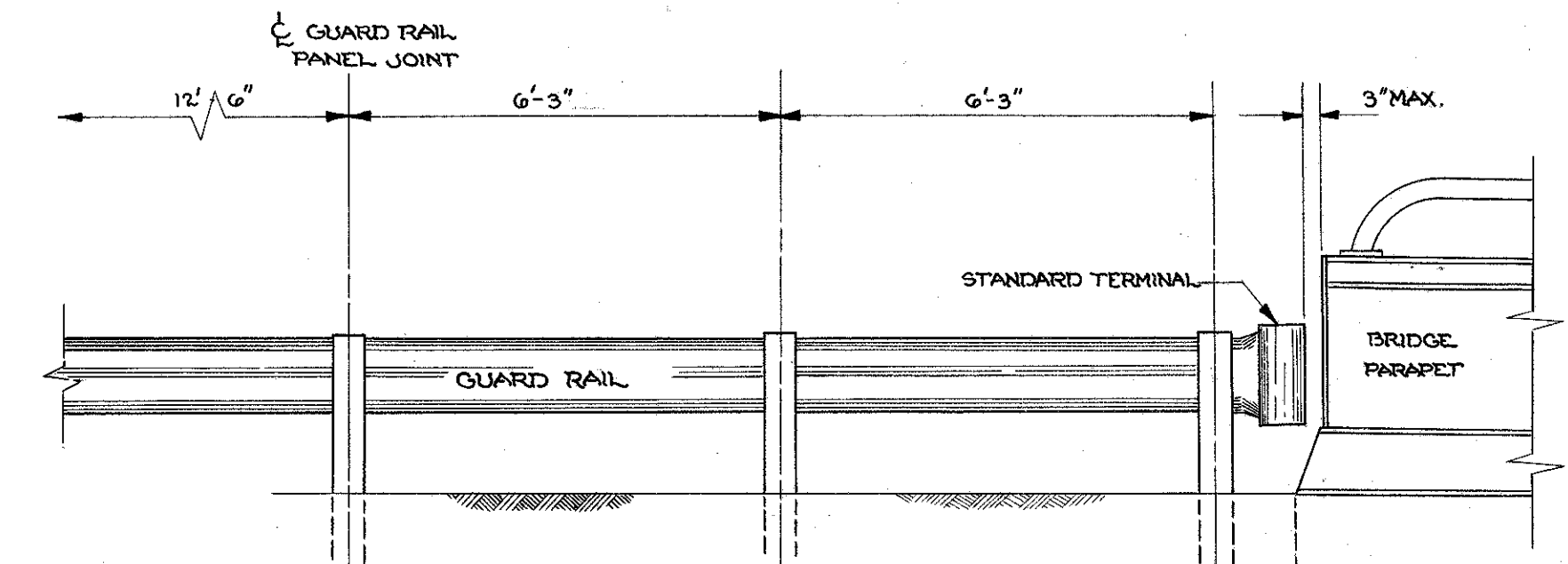


SECTION A-A
60' MEDIAN



44' MEDIAN

| DISTANCE BETWEEN EDGE OF PAVEMENT AND FACE OF GUARD RAIL | | | |
|--|--------|------|--------|
| POST | OFFSET | POST | OFFSET |
| 1/2 | 6.04 | | |
| 1 | 6.16 | | |
| 2 | 6.64 | | |
| 3 | 7.44 | | |
| 4 | 8.57 | | |
| 5 | 10.01 | | |
| 6 | 11.77 | | |
| 7 | 13.84 | | |
| 8 | 16.23 | | |
| 9 | 18.78 | | |
| 10 | 21.33 | | |
| 11 | 23.87 | | |
| 12 | 26.42 | | |
| 13 | 28.97 | | |



GUARD RAIL DETAIL
END PANEL AT STRUCTURES
(NO SCALE)