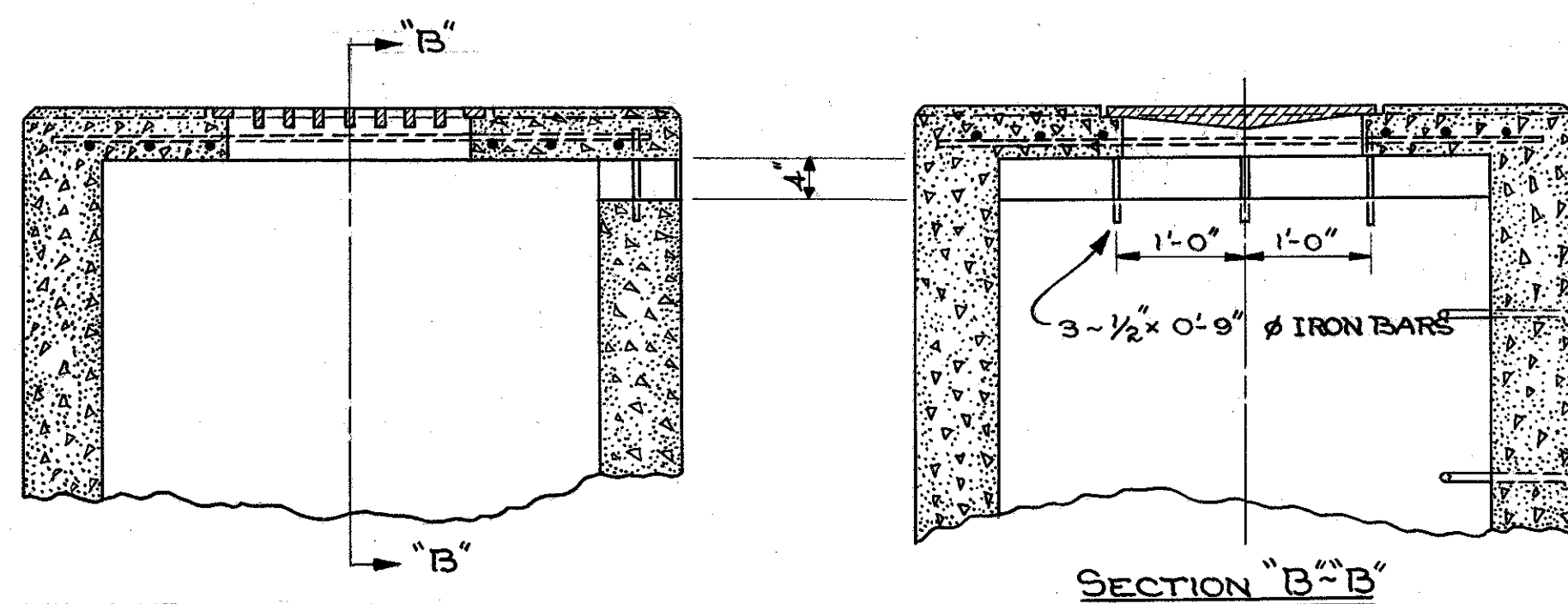


FED. RD. DIVISION	STATE	PROJECT	
2	OHIO		

138
204

LAKE COUNTY
LAK.-44-3.79

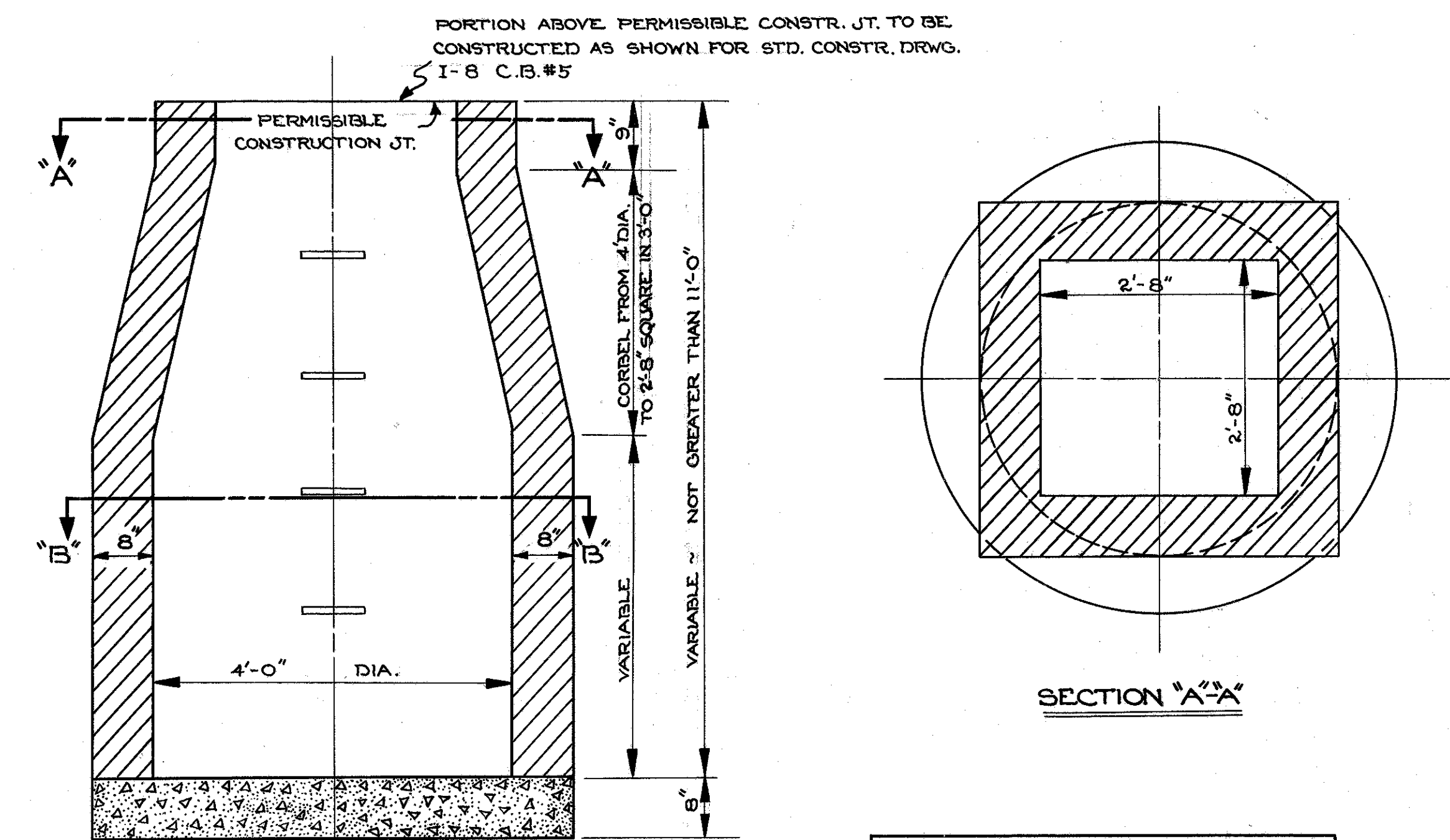
STANDARD NO 2-4 CATCH BASIN MODIFIED



PROVIDE DIKE ON DOWNSTREAM SIDE SAME AS THAT FOR STD. #4 C.B. FOR A MEDIAN STD. #2-4 C.B. MODIFIED, AND SAME AS THAT FOR STD. #5 C.B. FOR A ROADSIDE DITCH STD. #2-4 C.B. MODIFIED. COST OF DIKE TO BE INCLUDED IN THE UNIT PRICE BID FOR STD. #2-4 C.B. MODIFIED.

NOTE:
MODIFICATION OF THE STD. #2-4 C.B. CONCERNS PRIMARILY THE DESIGN OF THE SIDE INLET. FOR NOTES, DIMENSIONS AND DETAILS NOT SHOWN STD. DRAWING I-8 C.B. #2-3 & #2-4 SHALL APPLY.

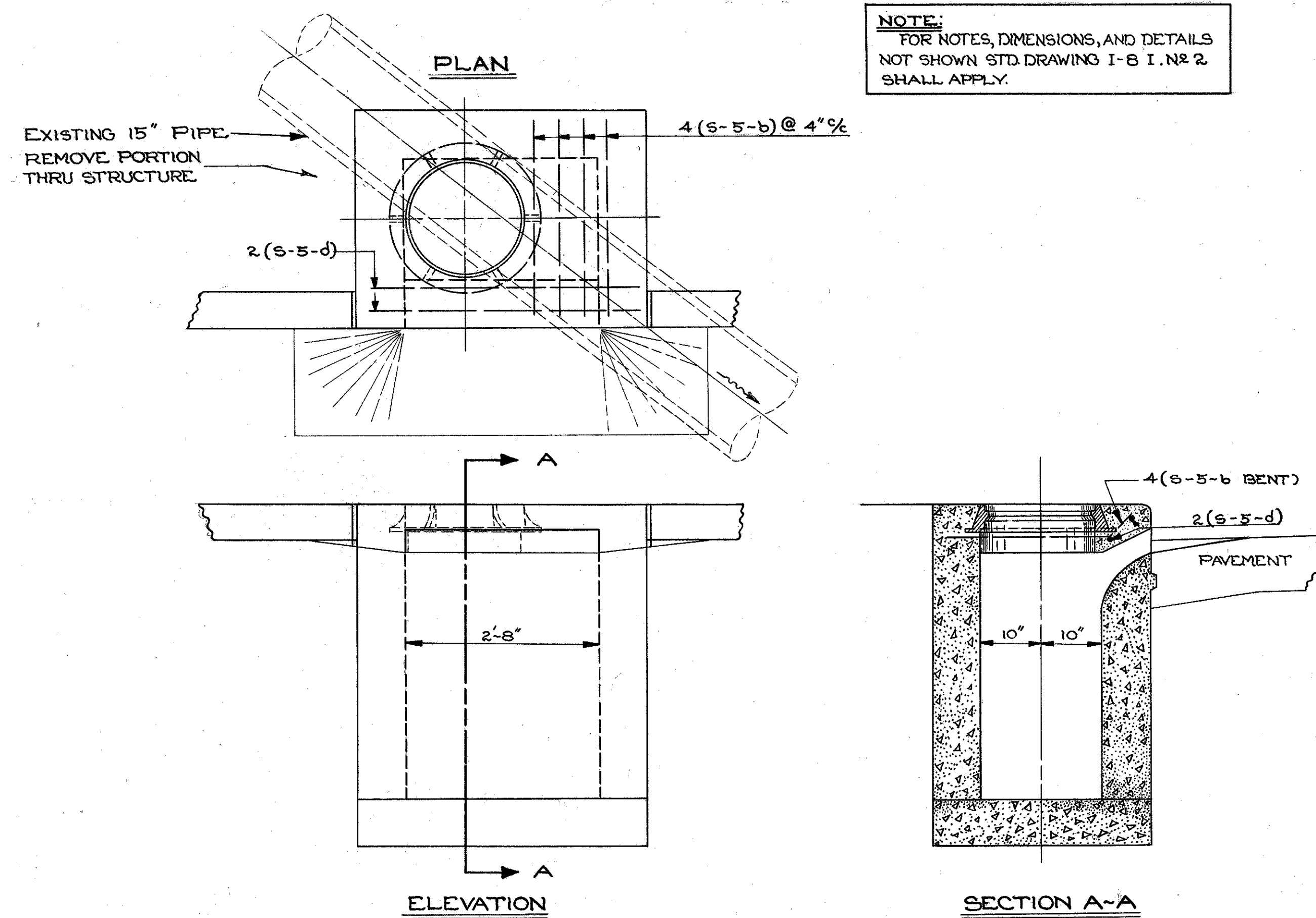
SPECIAL COMBINATION #5 C.B.- MANHOLE



NOTE:
FOR NOTES, DIMENSIONS AND DETAILS NOT SHOWN STD. DRWGS, I-8 M.H. #1 AND I-8-C.B. #5 SHALL APPLY.

STANDARD NO-2 MEDIAN INLET MODIFIED

INLET BUILT OVER 15" PIPE ON FERN DR.



NOTE:
FOR NOTES, DIMENSIONS, AND DETAILS NOT SHOWN STD. DRAWING I-8 I.N. #2 SHALL APPLY.