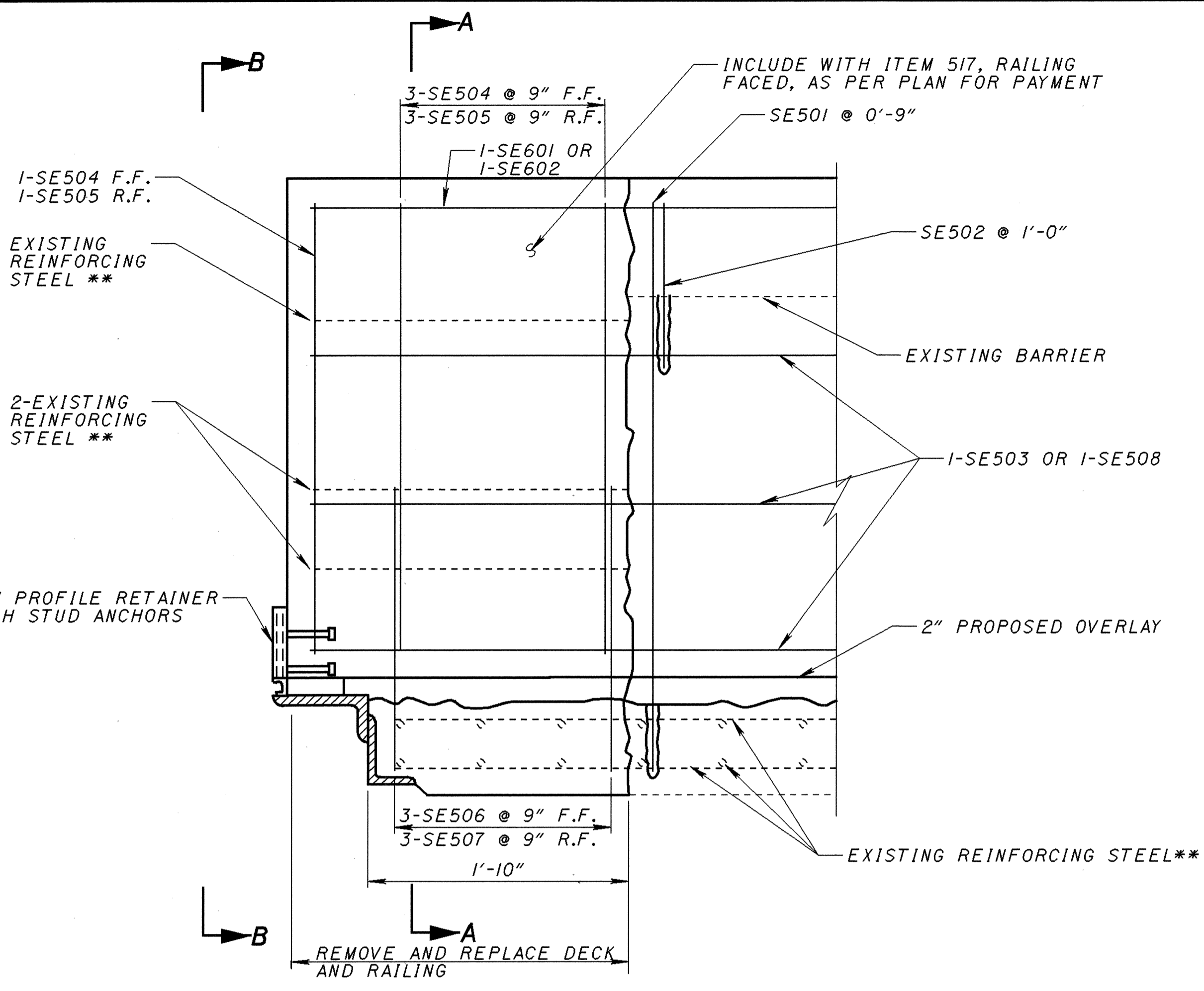
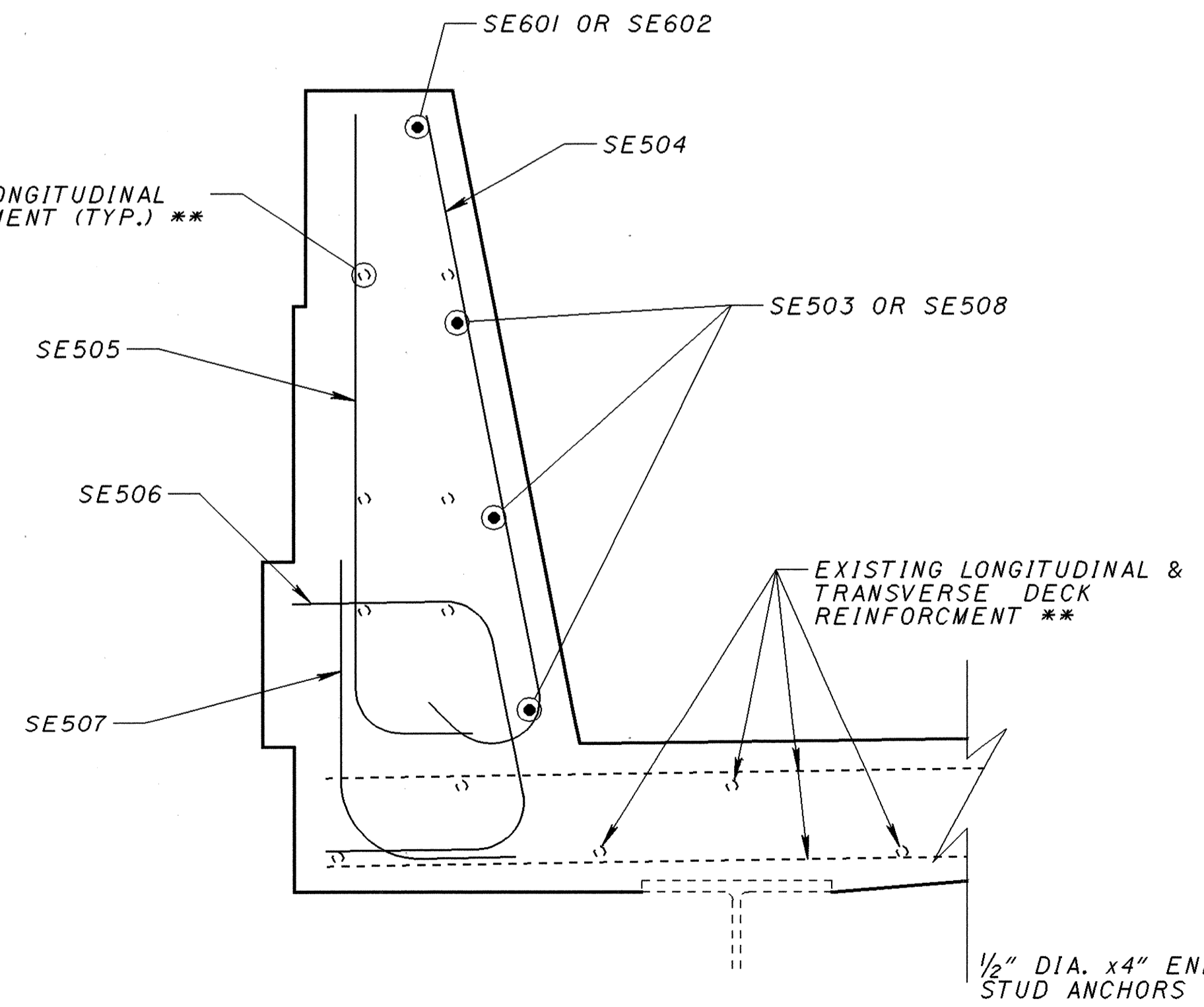


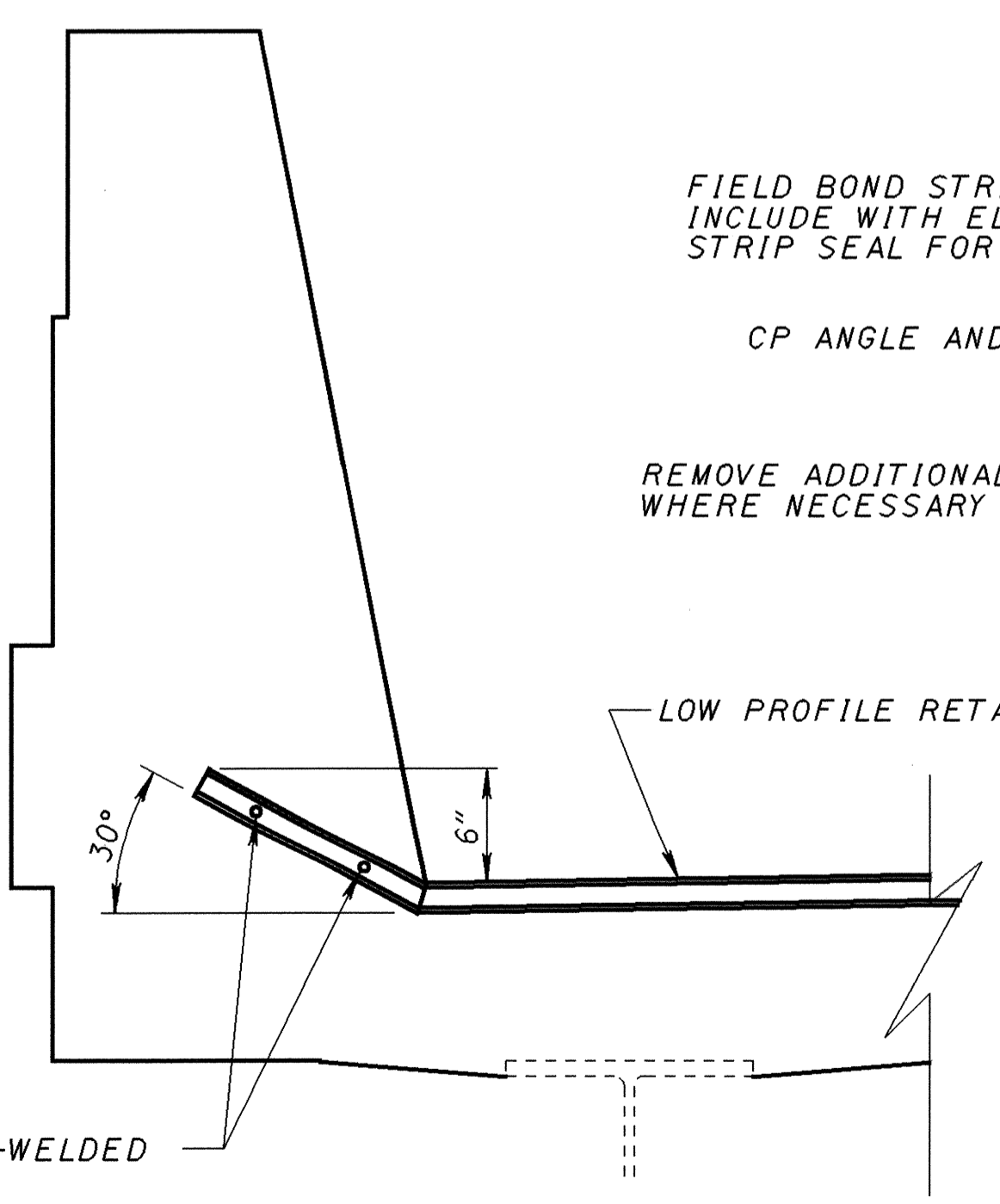
PROJECT: PID18391B&NPLANS18391SCB.DGN
 DATE: 14 AUG 2001
 FILE: \$DATE\$



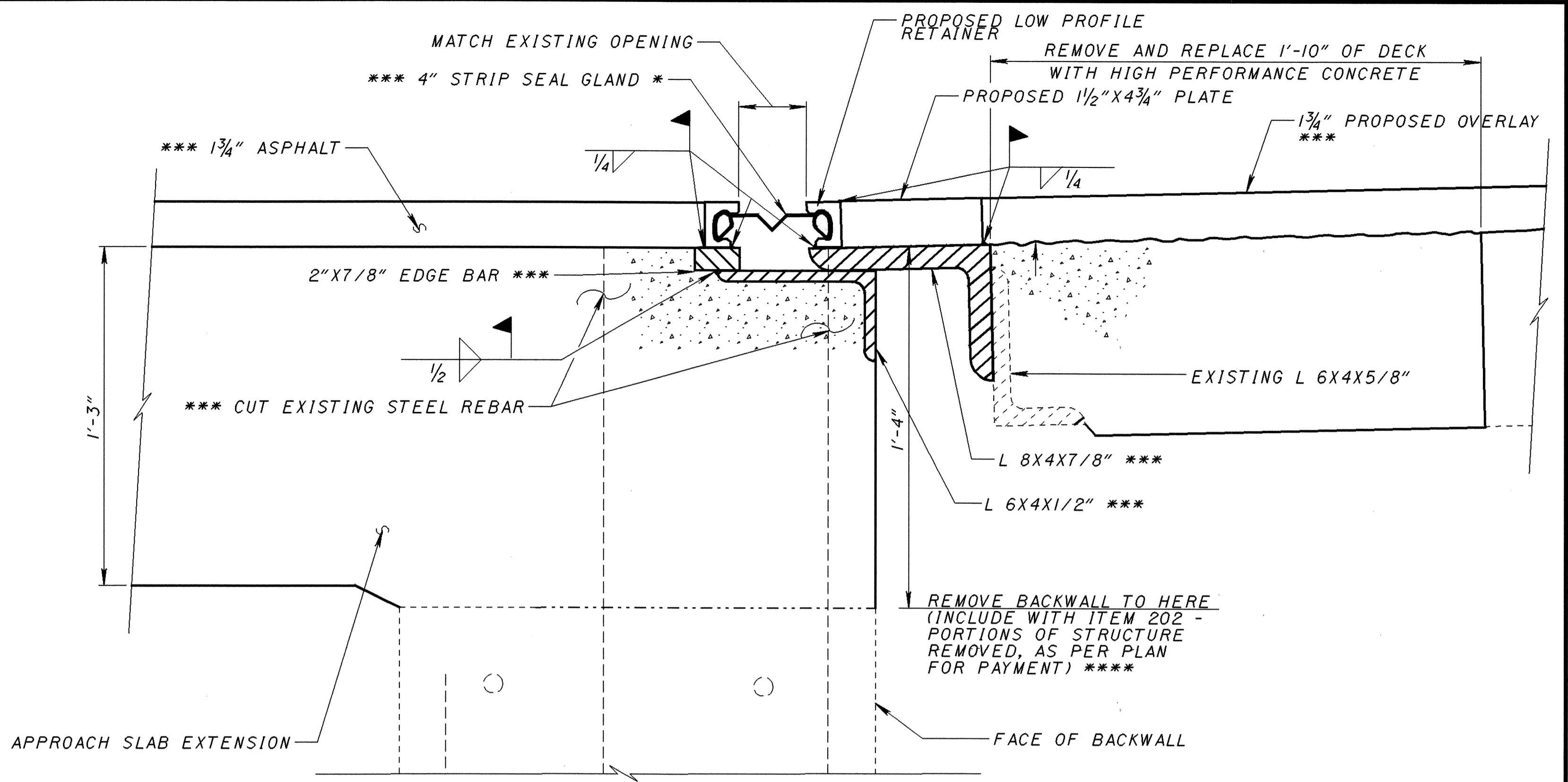
BARRIER ELEVATION AT JOINT



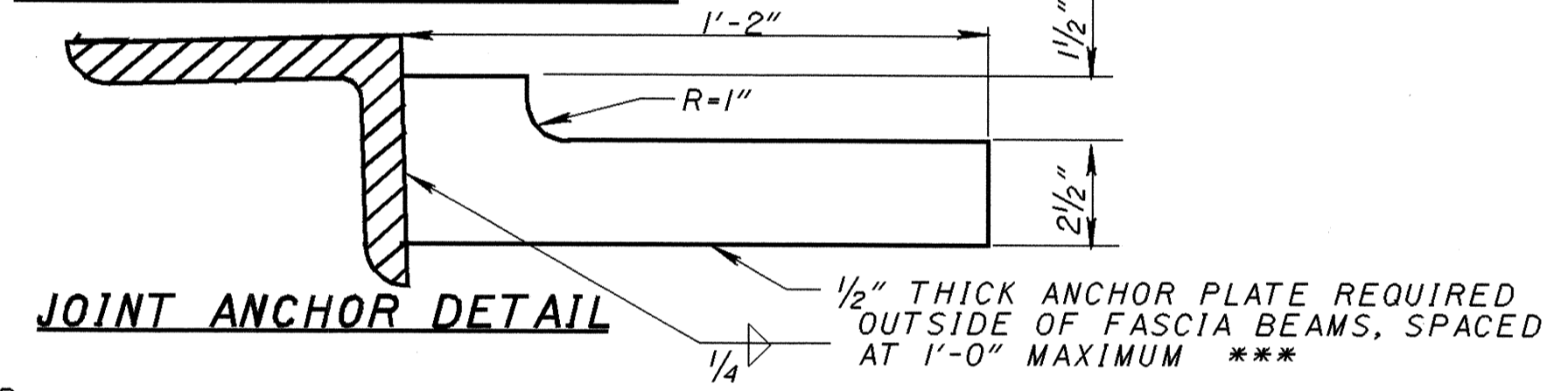
SECTION A-A



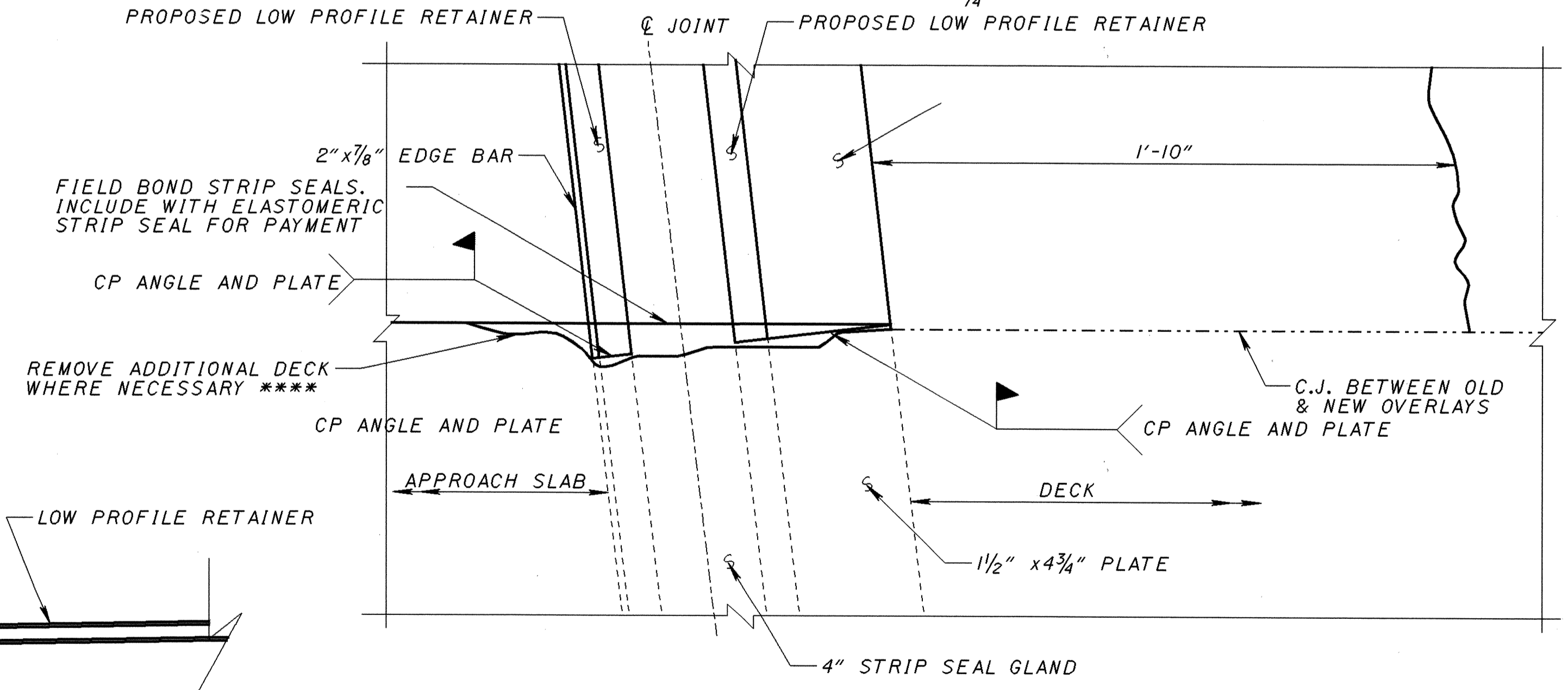
VIEW B-B



JOINT EXTENSION DETAIL



JOINT ANCHOR DETAIL



NOTES:

- * REFER TO STD. DWGS. EXJ-4-87 FOR ADDITIONAL EXPANSION JOINT DETAILS. THE CONTRACTOR SHALL VERIFY THE EXISTING STRIP SEAL MANUFACTURER AND PROVIDE THE SAME.
- ** EXISTING DECK LONGITUDINAL AND TRANSVERSE REINFORCING STEEL IS TO BE PROTECTED AND REUSED. IF DAMAGED, NEW REINFORCING STEEL OF THE SAME SIZE SHALL BE DOWELED WITH THE APPROPRIATE DEVELOPMENT LENGTH.
- *** PROPOSED

LEGEND:

- F.F. = FRONT FACE
- R.F. = REAR FACE
- CP = COMPLETE PENETRATION BUTT WELD

DESIGN AGENCY BURGESS & NIPLE 100 WEST ERIE STREET, PAINESVILLE, OHIO 44071	DATE 2-28-01	REVIEWED DWL	STRUCTURE FILE NUMBER 4302702
DESIGNED MKB	DRAWN MKB	CHECKED SCT	REVISIONS REVIS
JOINT DETAILS BRIDGE NO. LAK-44-0510 JACKSON STREET OVER STATE ROUTE 44			
LAKE COUNTY LAK-2/44-13.05/4.14			
6 / 8		85F 93	