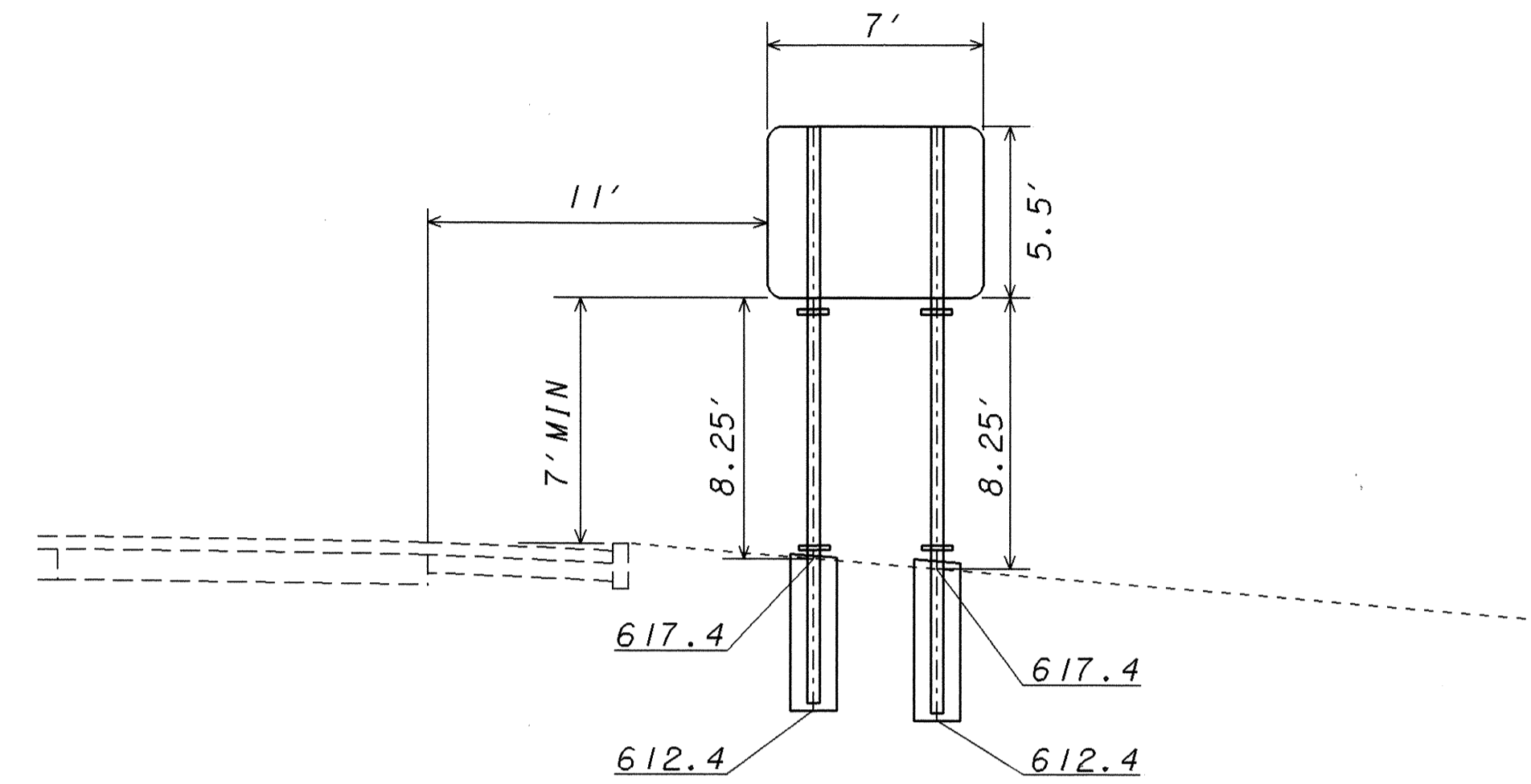


STA 71+20 SR-44, NB  
2-S4X7.7 BEAM SUPPORTS  
WITH BREAKAWAY CONNECTIONS

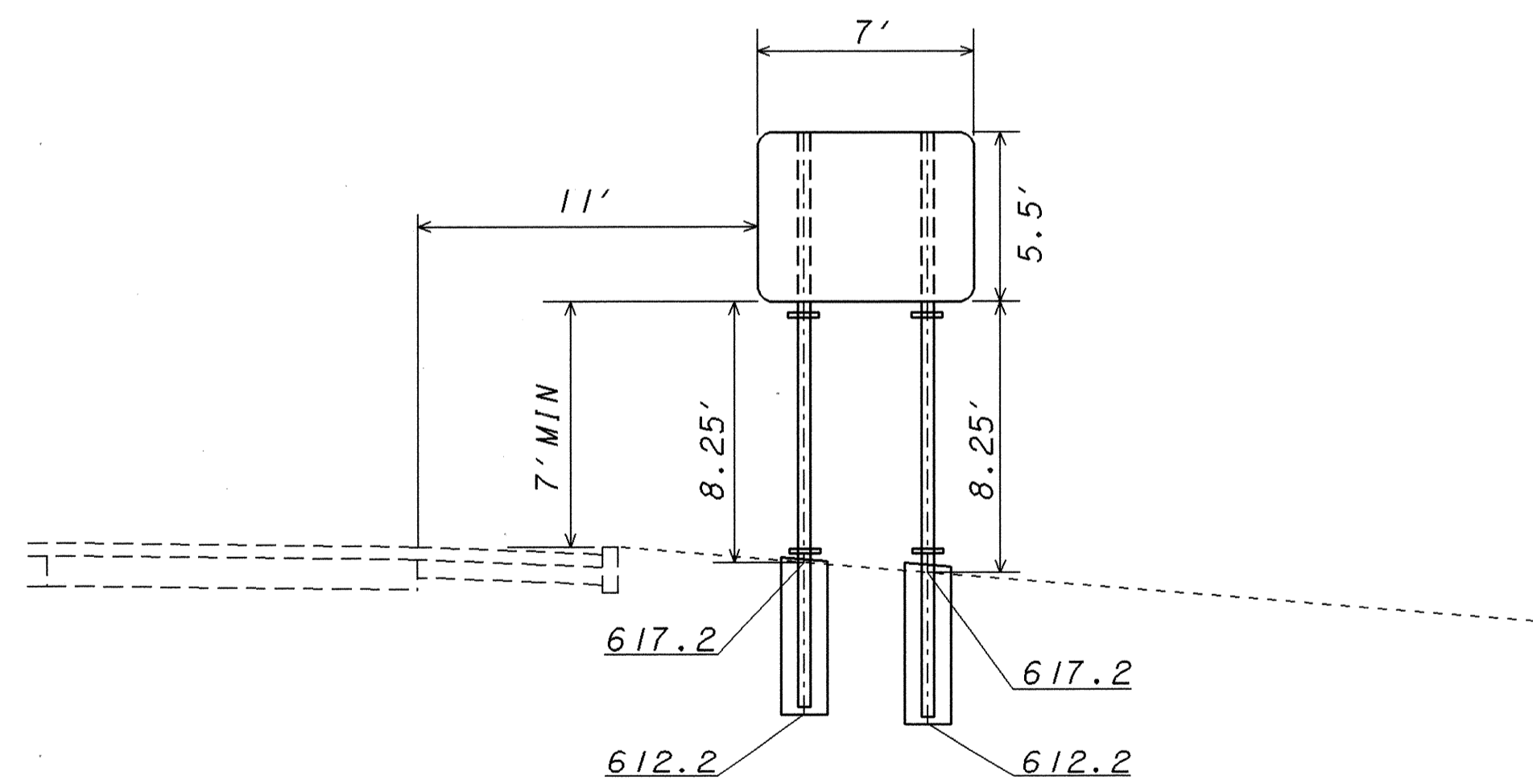
22



STA 27+25 SR-283, EB  
2-W6X9 BEAM SUPPORTS  
WITH BREAKAWAY CONNECTIONS

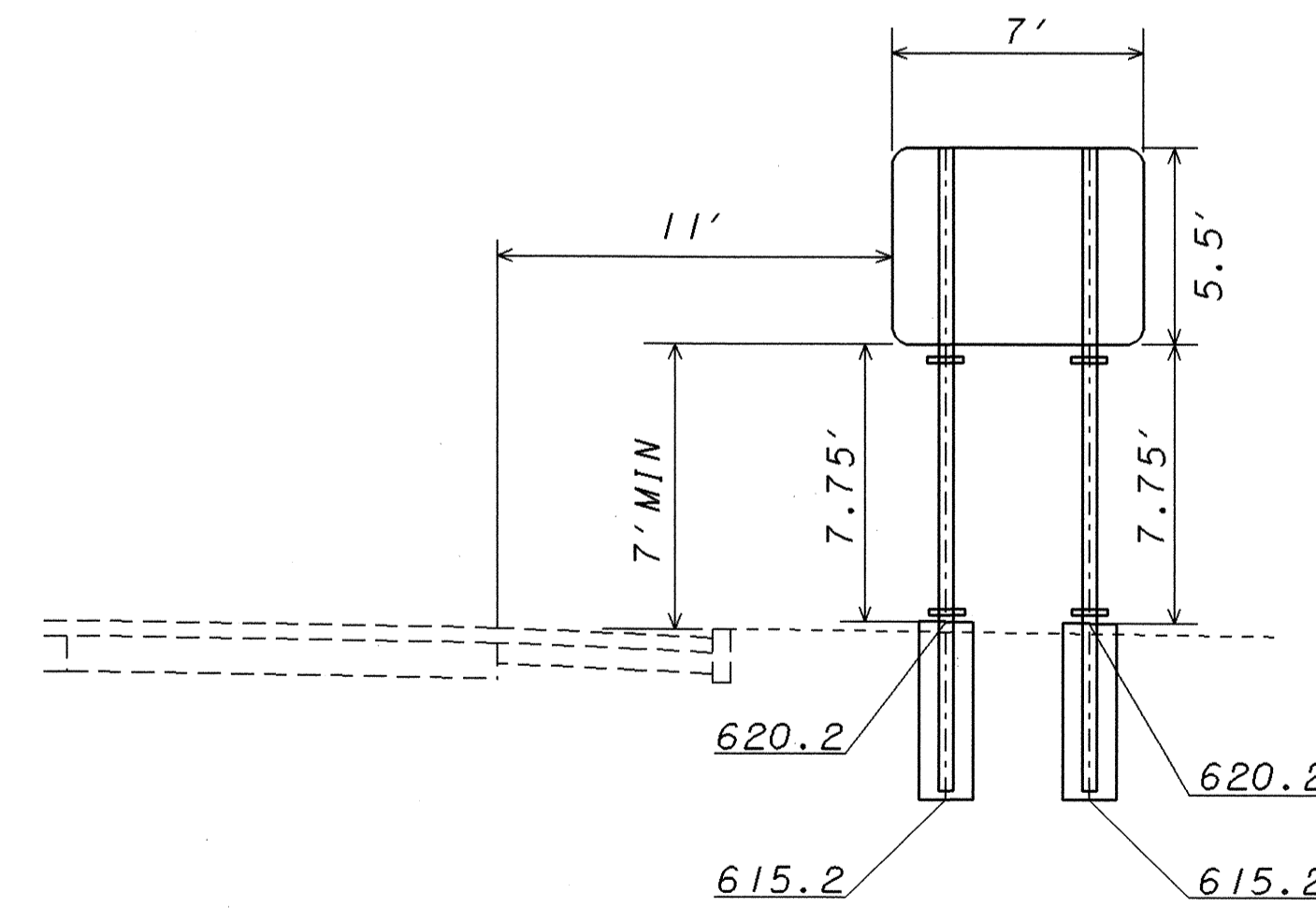
29

NOTE: ELEVATION VIEW FACING  
UPSTATION OF SR-283  
VIEWING BACK OF SIGN



STA 25+75 SR-283, EB  
2-W6X9 BEAM SUPPORTS  
WITH BREAKAWAY CONNECTIONS

28



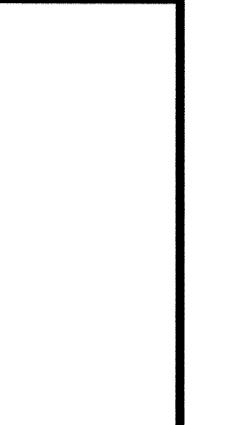
STA 33+20 SR-283, WB  
2-W6X9 BEAM SUPPORTS  
WITH BREAKAWAY CONNECTIONS

30

NOTE: ELEVATION VIEW FACING  
DOWNSTATION OF SR-283  
SAME SIZE SIGN WITH SAME  
LEGEND ATTACHED TO  
OPPOSITE SIDE OF SUPPORT

PLOTTED FROM: I:\PROJECTS\18391\18391.dgn

CALCULATED  
EMK  
CHECKED  
LDH



SCALE IN FEET

SIGN ELEVATION VIEWS

LAKE COUNTY  
LAK-2 / 44-13.05 / 4.14

84  
93