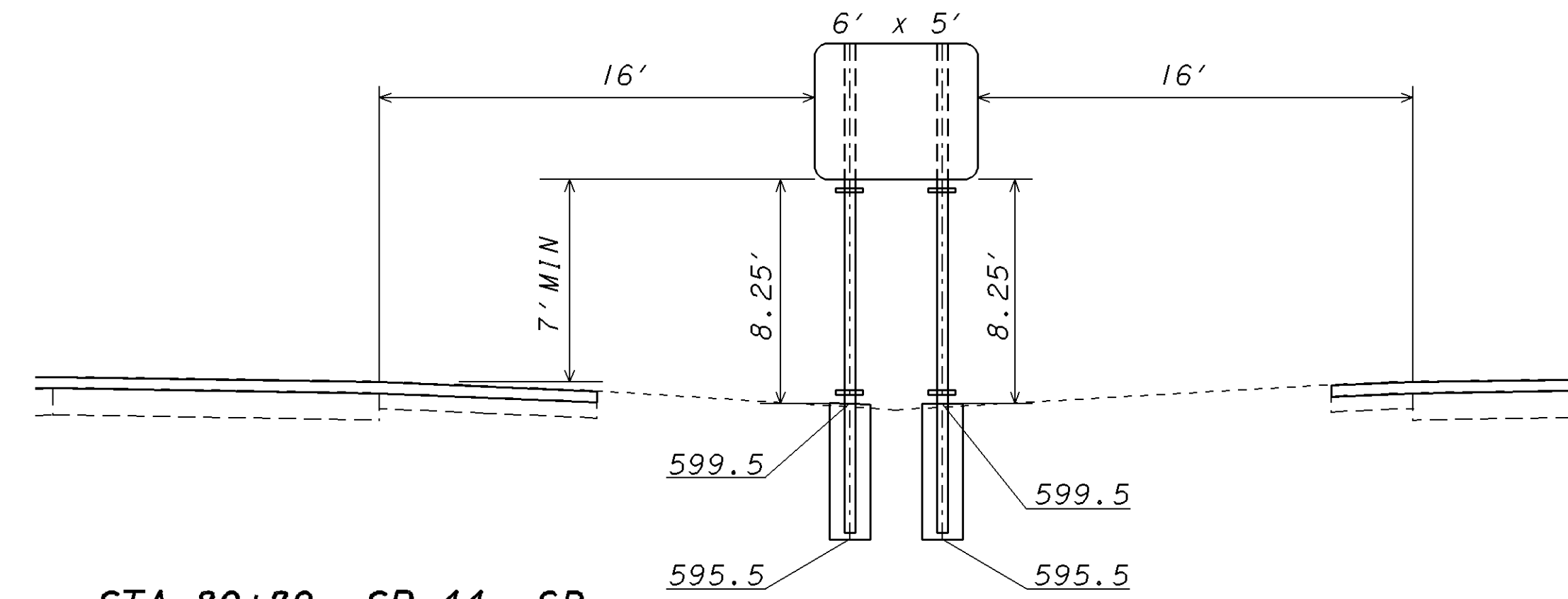
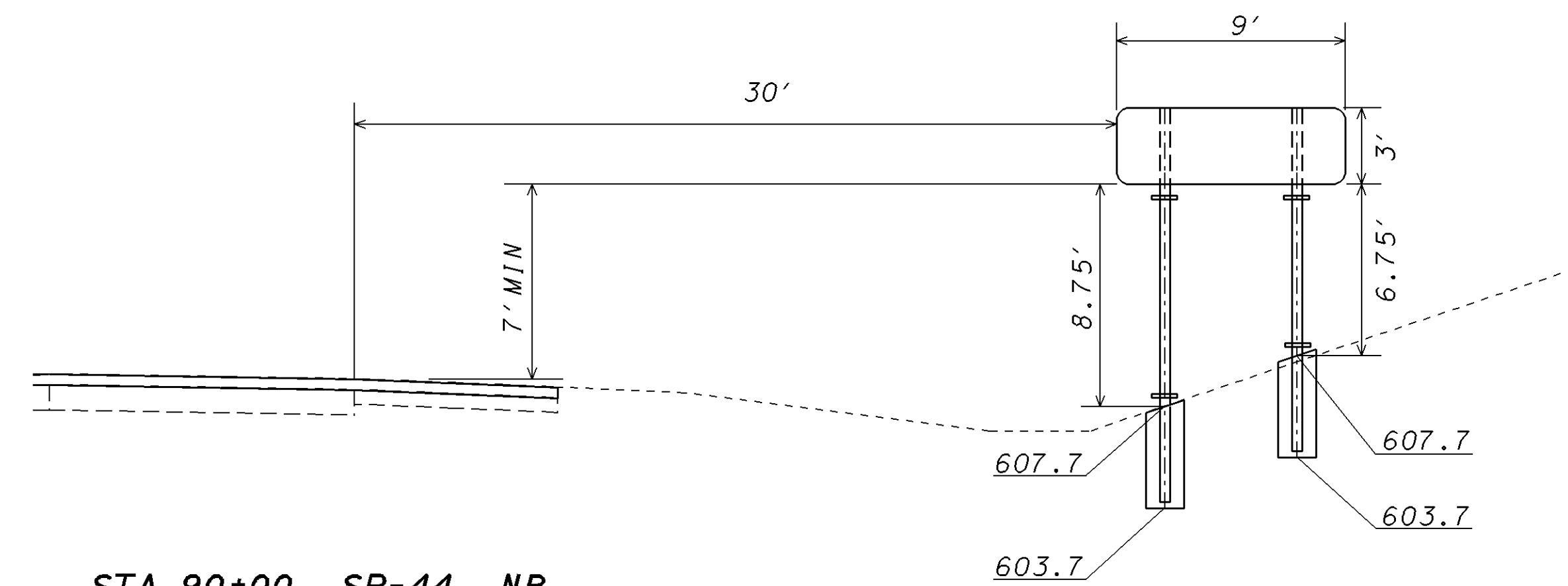


PLOTTED FROM: I:\PROJECTS\18391\dgn\18391tea.dgn



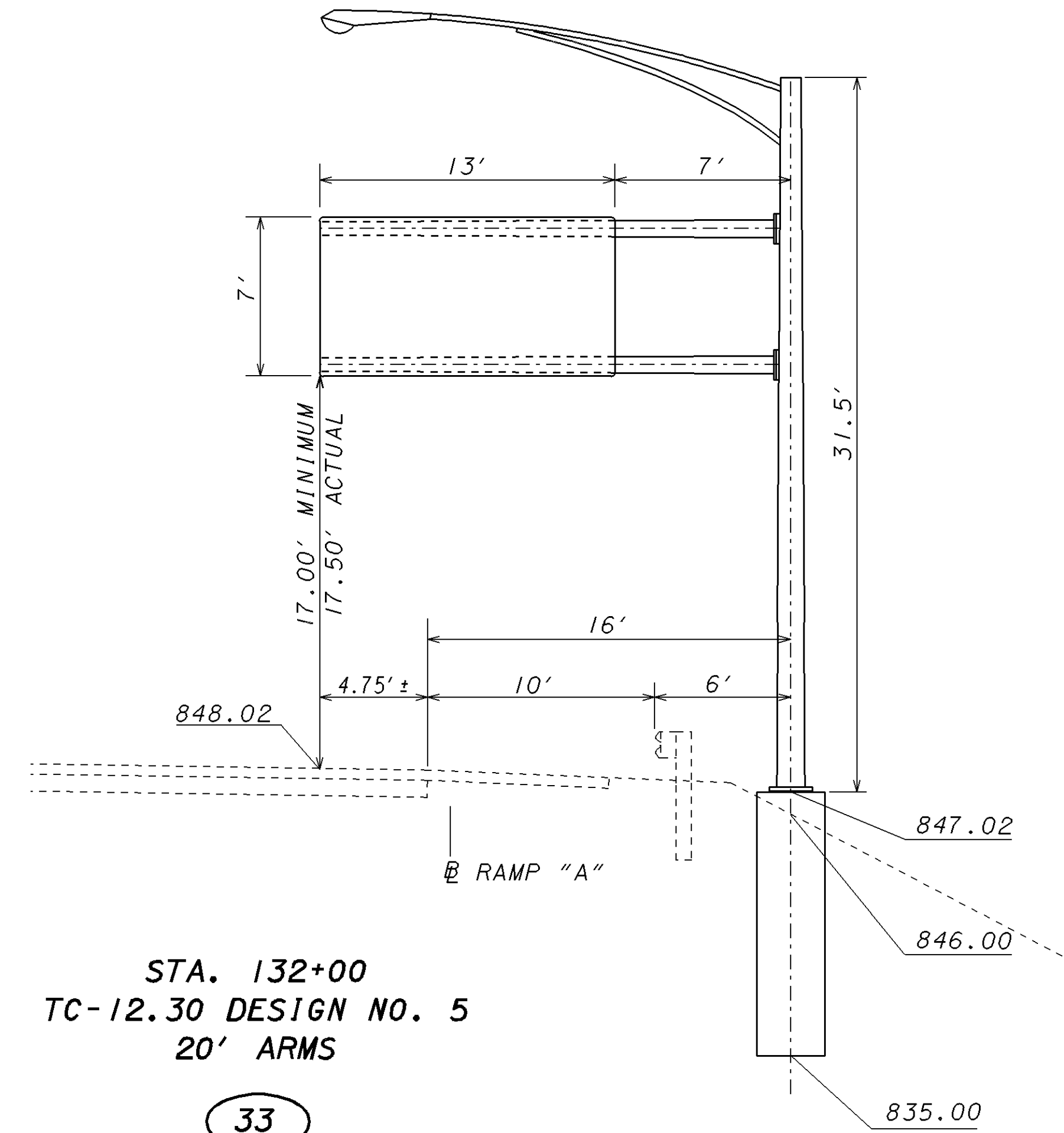
STA 80+80 SR-44, SB
2-S4X7.7 BEAM SUPPORTS
WITH BREAKAWAY CONNECTIONS

31



STA 90+00 SR-44, NB
2-S4X7.7 BEAM SUPPORTS
WITH BREAKAWAY CONNECTIONS

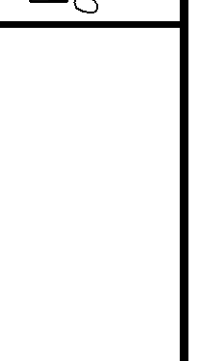
32



STA. 132+00
TC-12.30 DESIGN NO. 5
20' ARMS

33

CALCULATED	EMK
CHECKED	LDH
0	5
10	10



SCALE IN FEET

SIGN ELEVATION VIEWS

LAKE COUNTY
LAK-2/44-13.05/4.14