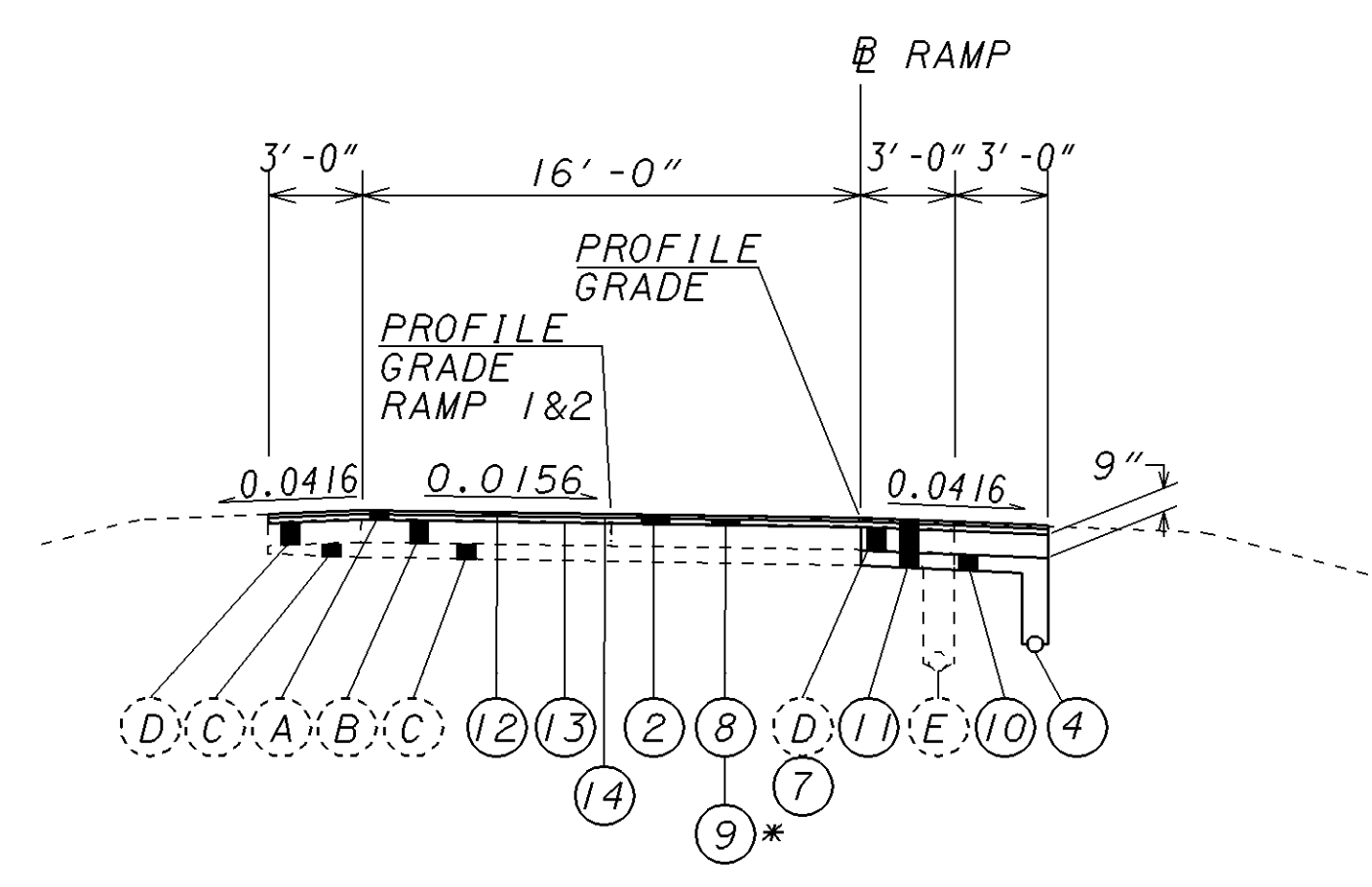
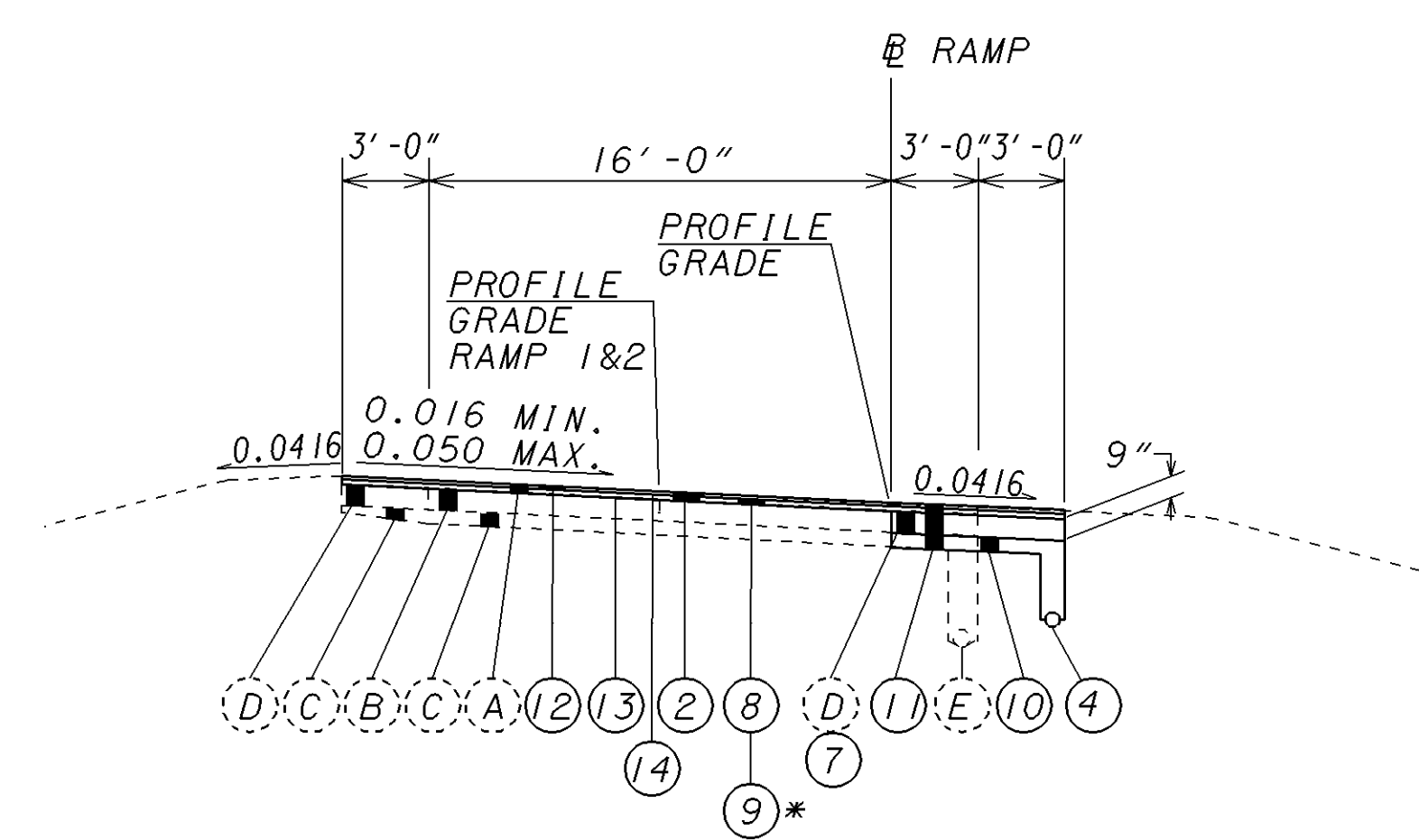


NORMAL  
STA. 157+50.00 TO STA. 163+75.00 = 625.00 LIN. FT.  
# - FROM STA 159+63 TO STA 163+75



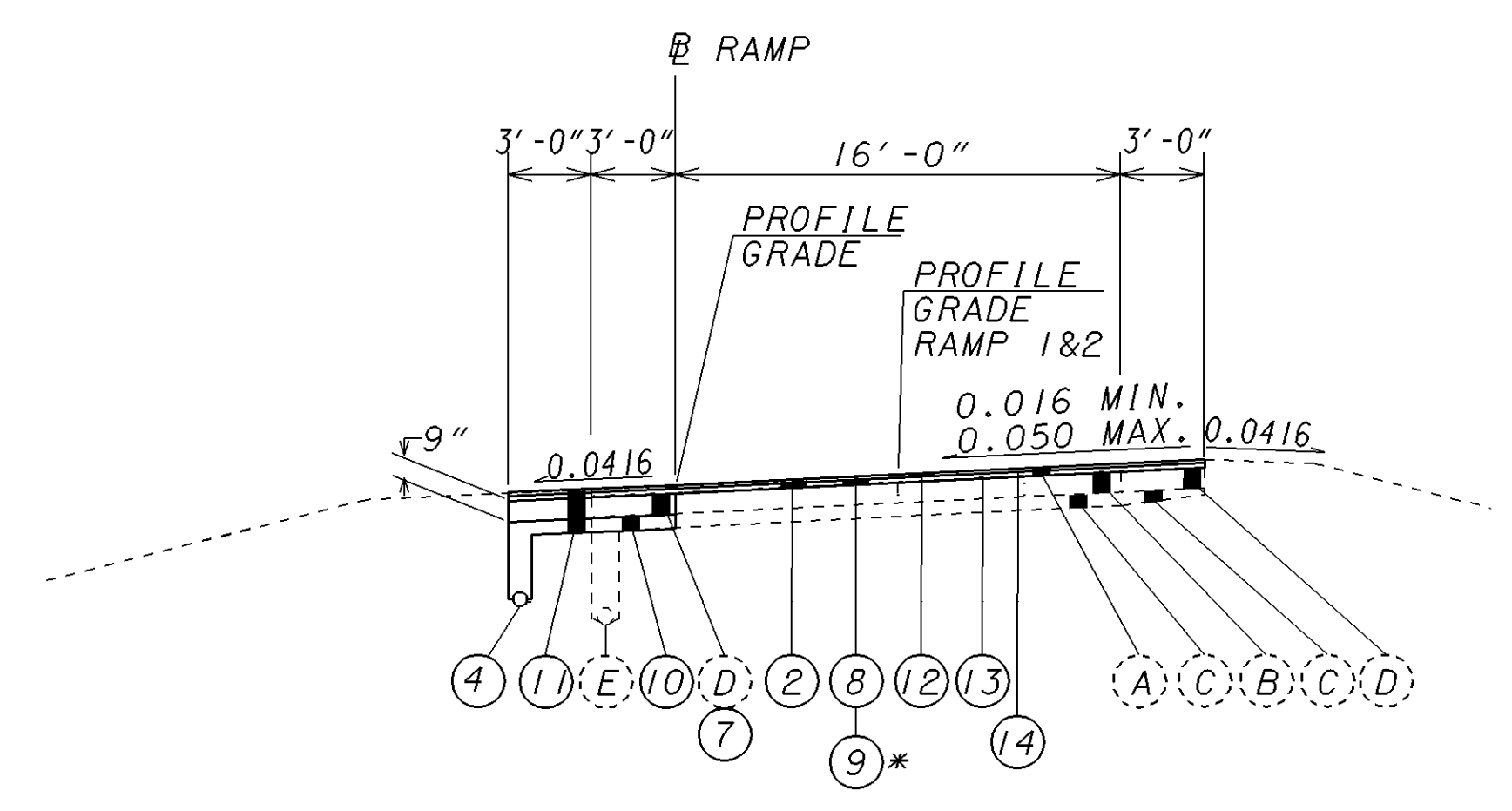
NORMAL RAMP SECTION

STA. 5+18.56 TO STA. 7+05.00 = 186.44 LIN. FT. RAMP 1\*  
STA. 3+75.00 TO STA. 6+00.00 = 225.00 LIN. FT. RAMP 2\*  
STA. 10+75.00 TO STA. 13+15.34 = 240.34 LIN. FT. RAMP 2\*  
STA. 11+43.90 TO STA. 13+54.44 = 210.54 LIN. FT. RAMP A SPUR  
STA. 7+77.68 TO STA. 11+25.00 = 347.32 LIN. FT. RAMP D



SUPERELEVATED RAMP SECTION (RIGHT)

STA. 4+66.67 TO STA. 5+18.56 = 51.89 LIN. FT. RAMP 1\*  
STA. 6+00.00 TO STA. 10+75.00 = 475.00 LIN. FT. RAMP 2\*  
STA. 6+76.56 TO STA. 13+07.20 = 630.64 LIN. FT. RAMP A  
STA. 3+94.22 TO STA. 7+50.00 = 355.78 LIN. FT. RAMP B  
STA. 10+04.99 TO STA. 14+00.00 = 395.01 LIN. FT. RAMP C  
STA. 11+25.00 TO STA. 14+73.44 = 348.44 LIN. FT. RAMP D



SUPERELEVATED RAMP SECTION (LEFT)

STA. 2+75.00 TO STA. 3+75.00 = 100.00 LIN. FT. RAMP 2\*  
STA. 7+50.00 TO STA. 11+70.01 = 420.01 LIN. FT. RAMP B  
STA. 14+00.00 TO STA. 17+41.57 = 341.57 LIN. FT. RAMP C

SEE SHEET 5 FOR LEGEND  
SEE SHEET 50B FOR ADDITIONAL RAMP 1 TYPICALS

PLOTTED FROM: I:\PROJECTS\PI\18391\dgn\18391qye.dgn