

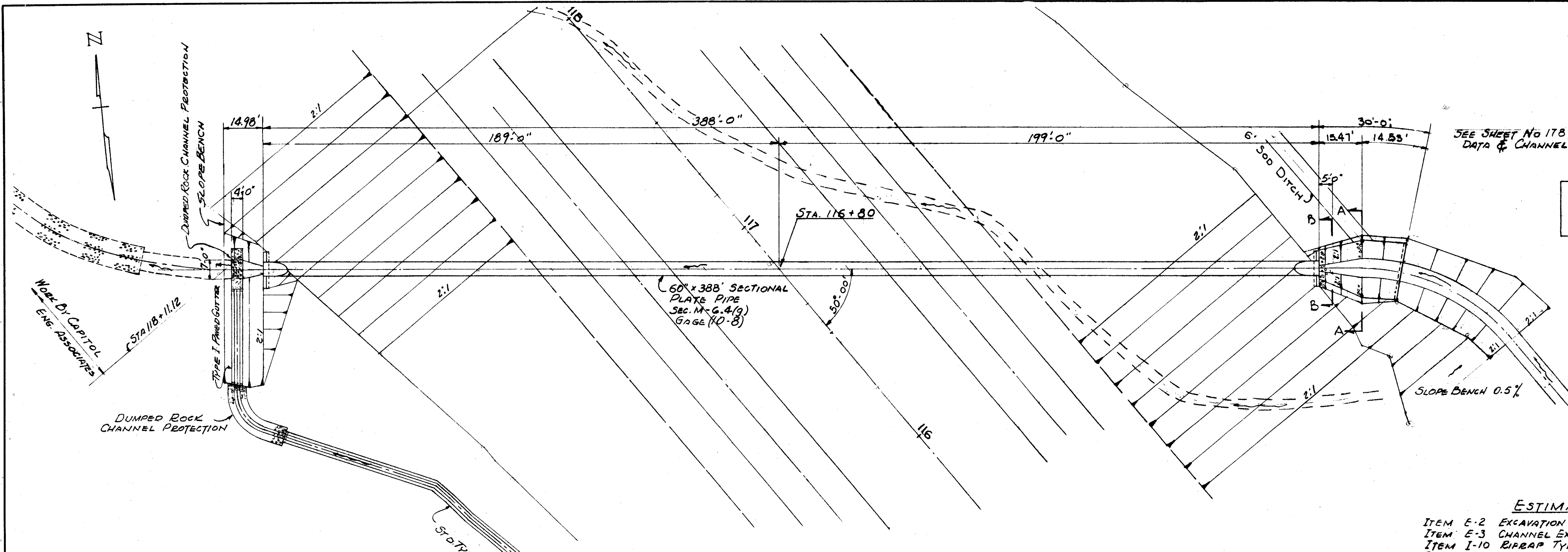
FED. RD. DIVISION	STATE	PROJECT	
2	OHIO		

180  
228

LAKE COUNTY  
LAK-44-1.70

SEE SHEET NO 178 FOR CURVE DATA & CHANNEL

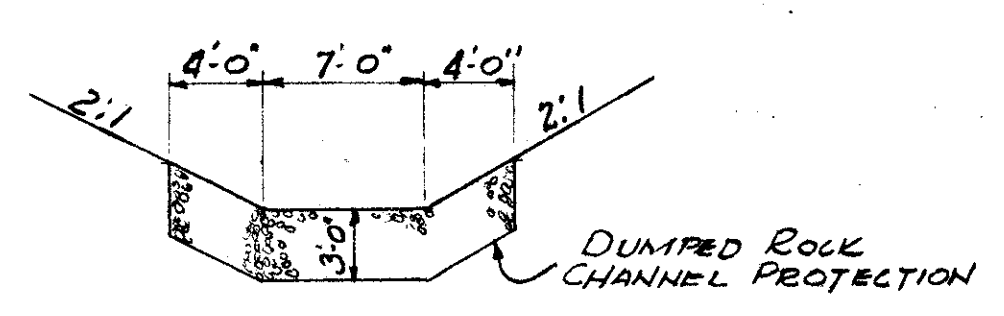
DRAINAGE AREA = 200 AC.  
Q<sub>25</sub> = 180 CFS



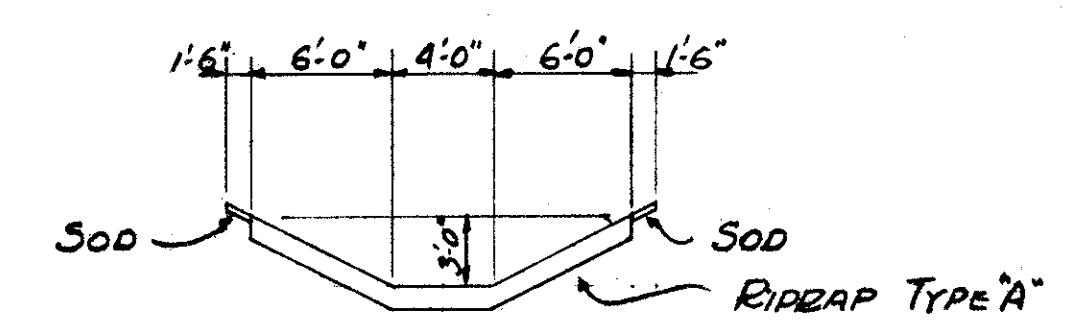
PLAN

ESTIMATED QUANTITIES

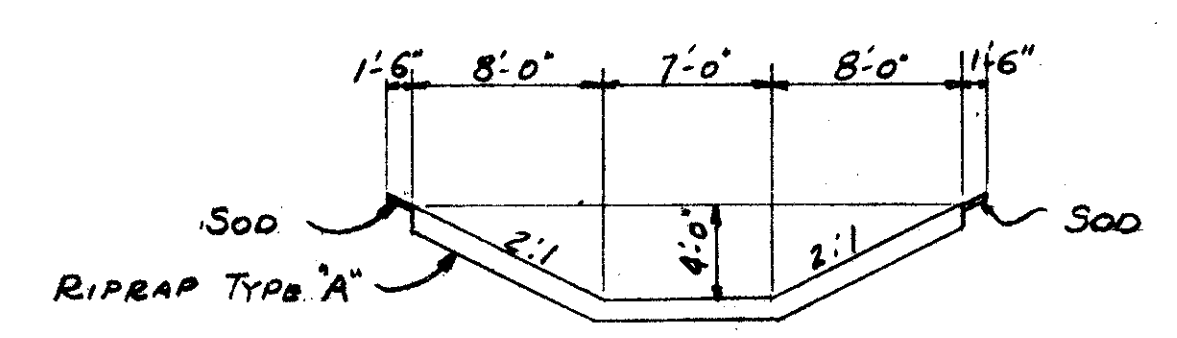
ITEM E-2	EXCAVATION FOR STRUCTURES	34 Cu.Yds
ITEM E-3	CHANNEL EXCAVATION	273 Cu.Yds
ITEM I-10	RIPRAP TYPE 'A'	78.8 Sp.Yds
ITEM S-1	CONCRETE FOR STRUCTURES CLASS 'E'	6.63 Cu.Yds
ITEM S-28	60" PIPE FOR ROADWAY CULVERT SEC. M-6.4 (g) GAGE (10-B)	388 LIN. FT.
ITEM L-10	SODDING	11.1 Sp.Yds
ITEM I-10	DUMPED ROCK CHANNEL PROTECTION	6.7 Cu.Yds



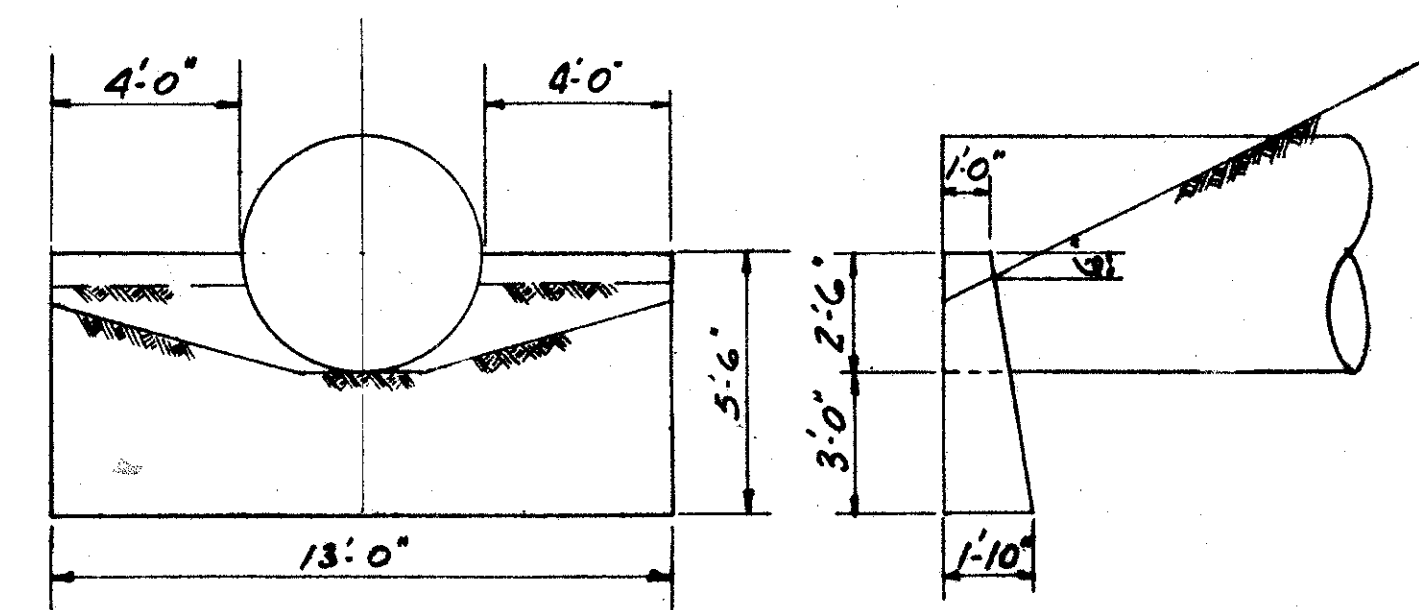
DETAIL OF CHANNEL PROTECTION AT OUTLET



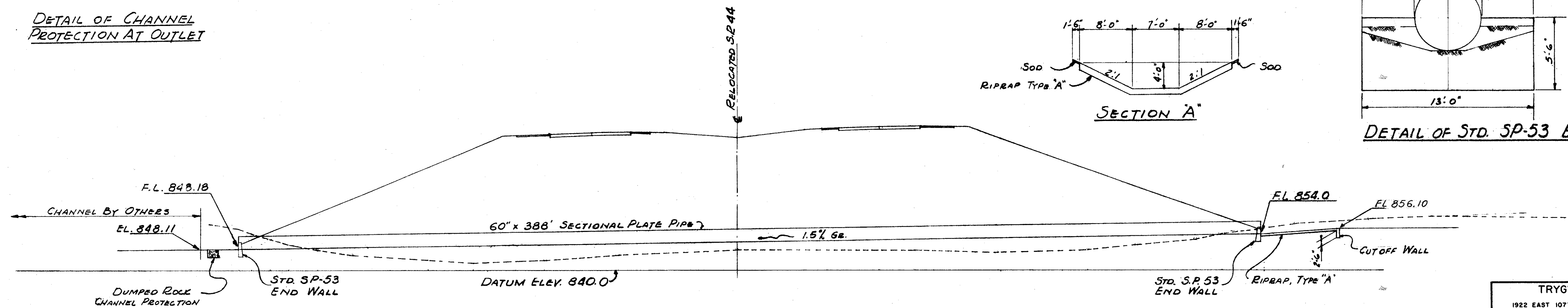
SECTION "B"



SECTION "A"



DETAIL OF STD. SP-53 END WALL



ELEVATION

TRYGVE HOFF & ASSOCIATES  
ENGINEERS  
1922 EAST 107TH STREET CLEVELAND, OHIO

PIPE CULVERT  
RELOCATED S.R.44  
STA. 116 + 80

SCALE 1" = 20'  
DATE 10/11/58

DESIGNED	DRAWN	TRACED	CHECKED	REVIEWED	DATE	REVISED
JWP			JPC	T.L.L.	10/11/58	