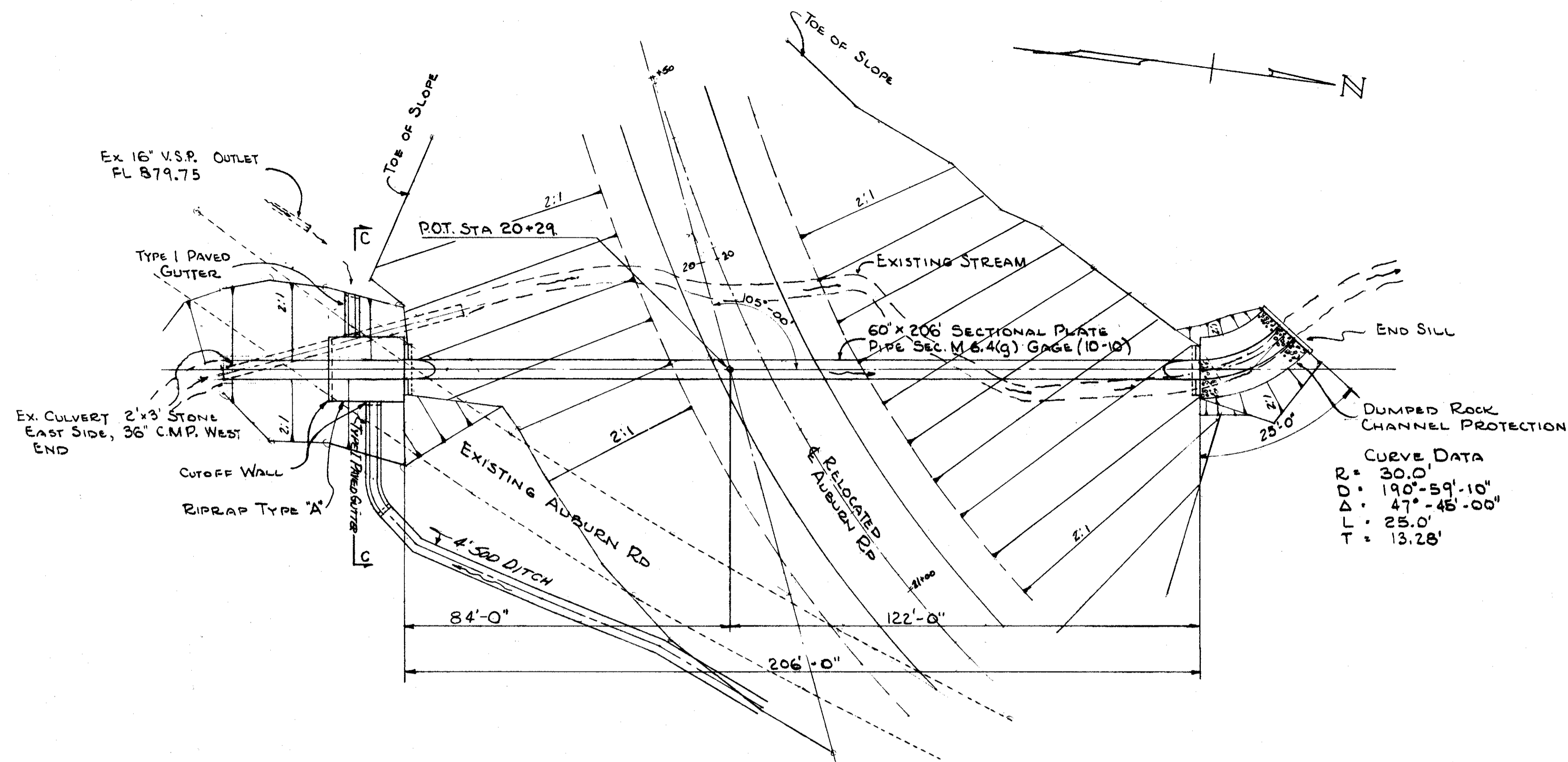


FED. RD. DIVISION	STATE	PROJECT	
2	OHIO		

177
228

LAKE COUNTY
LAK-44-1.70

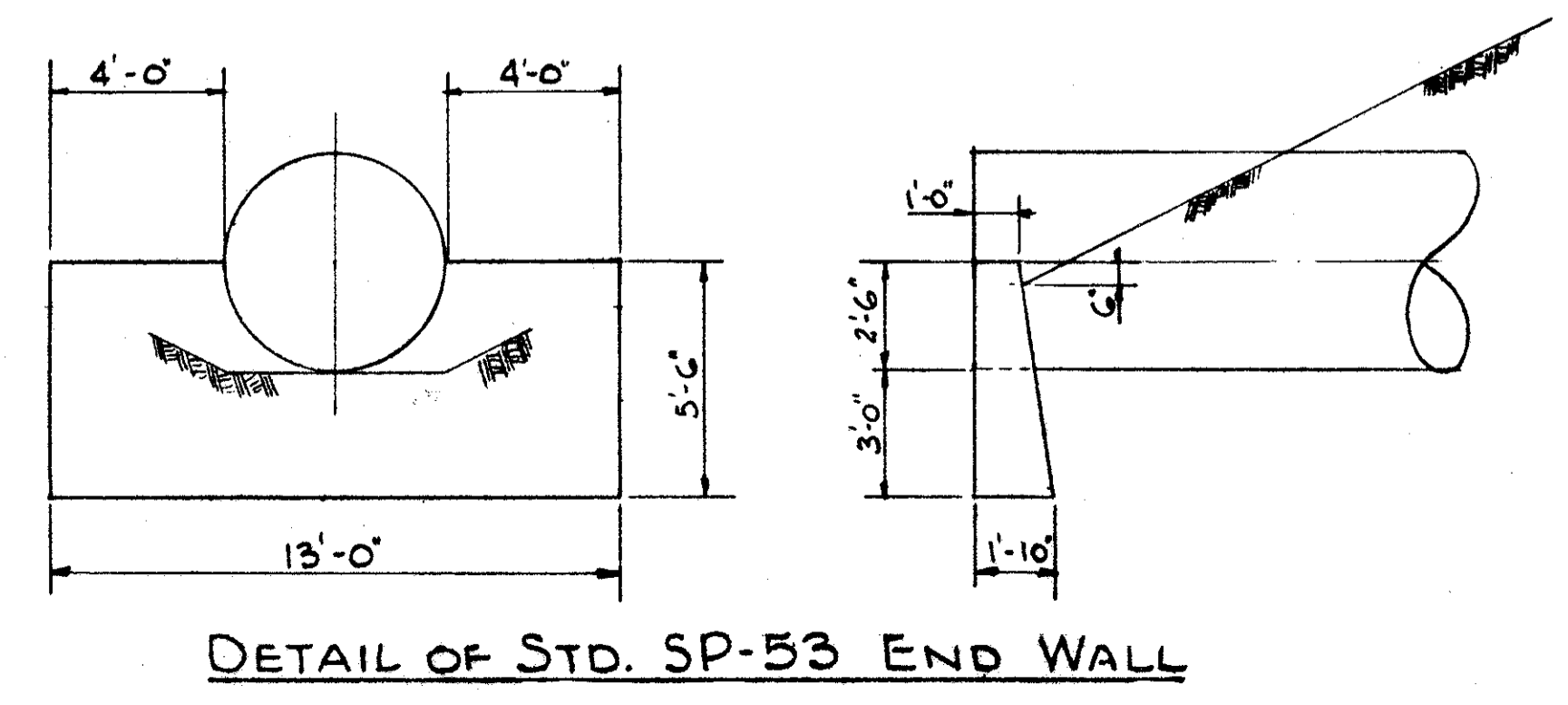
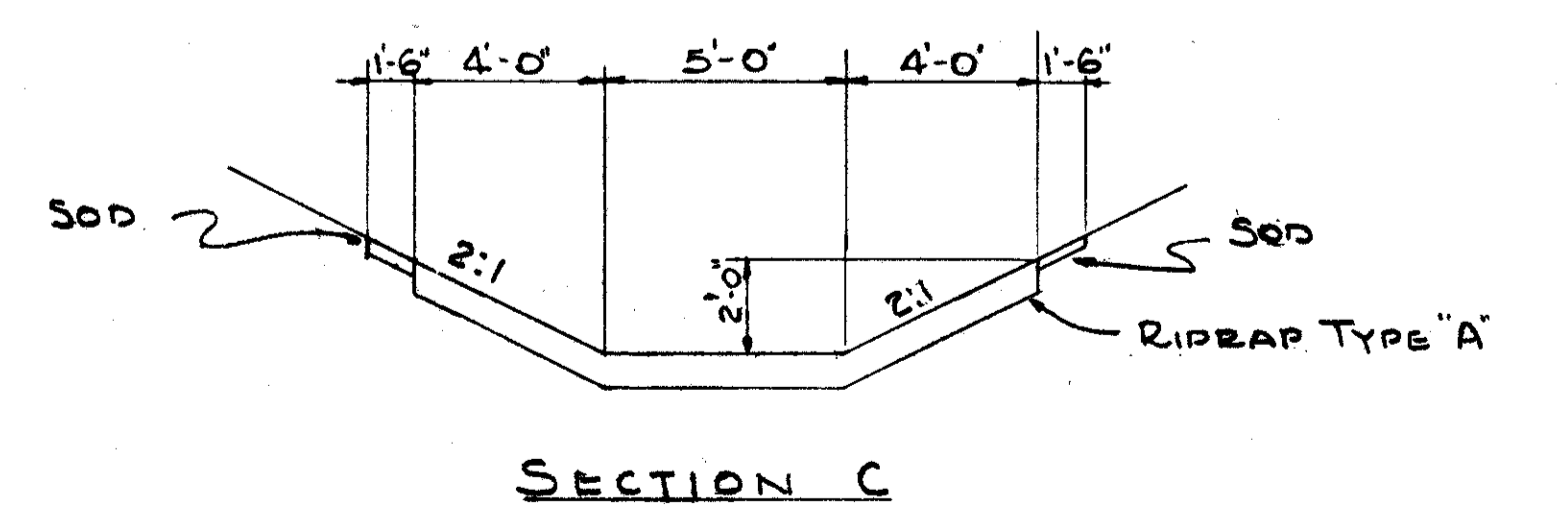
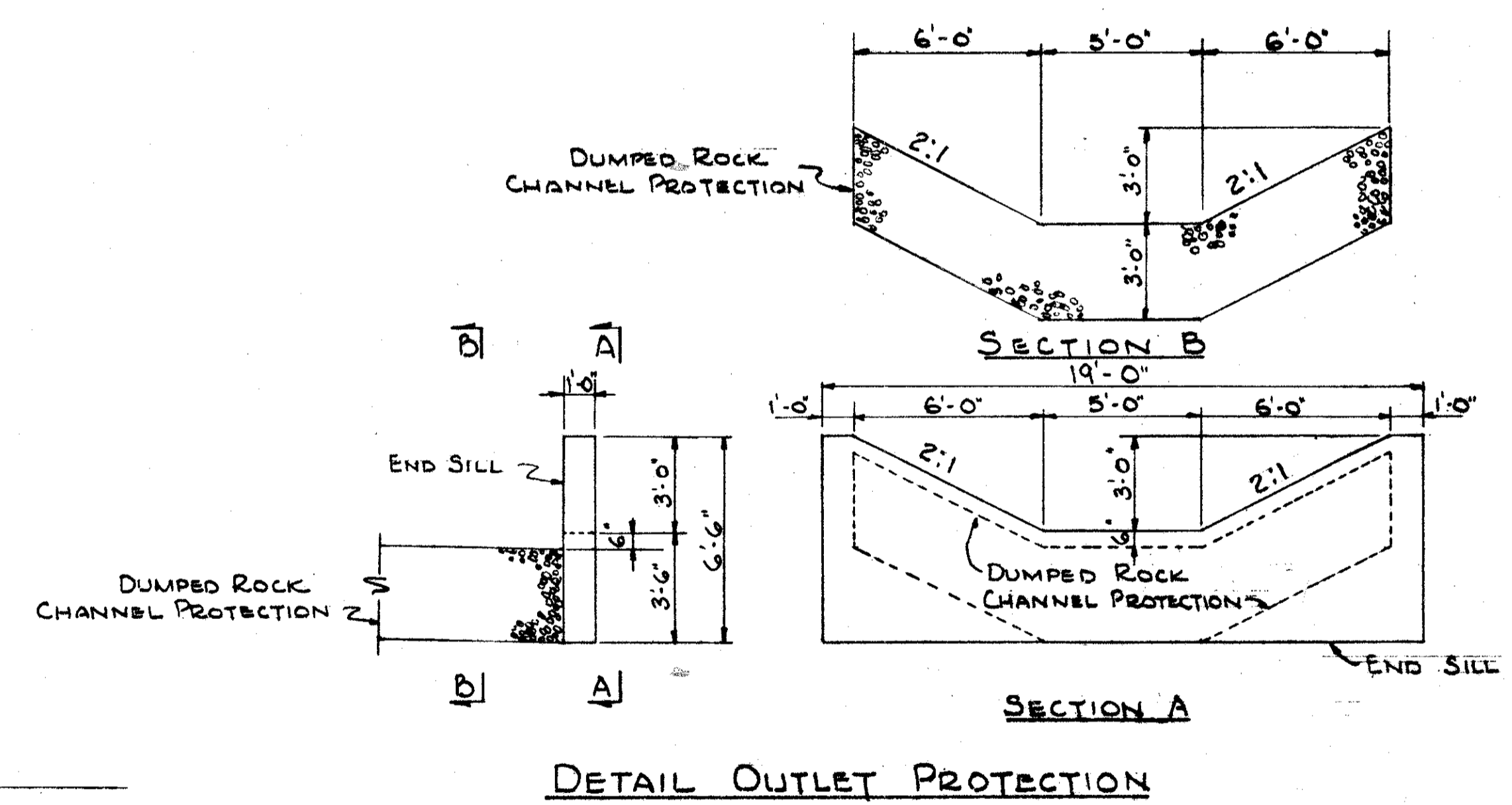
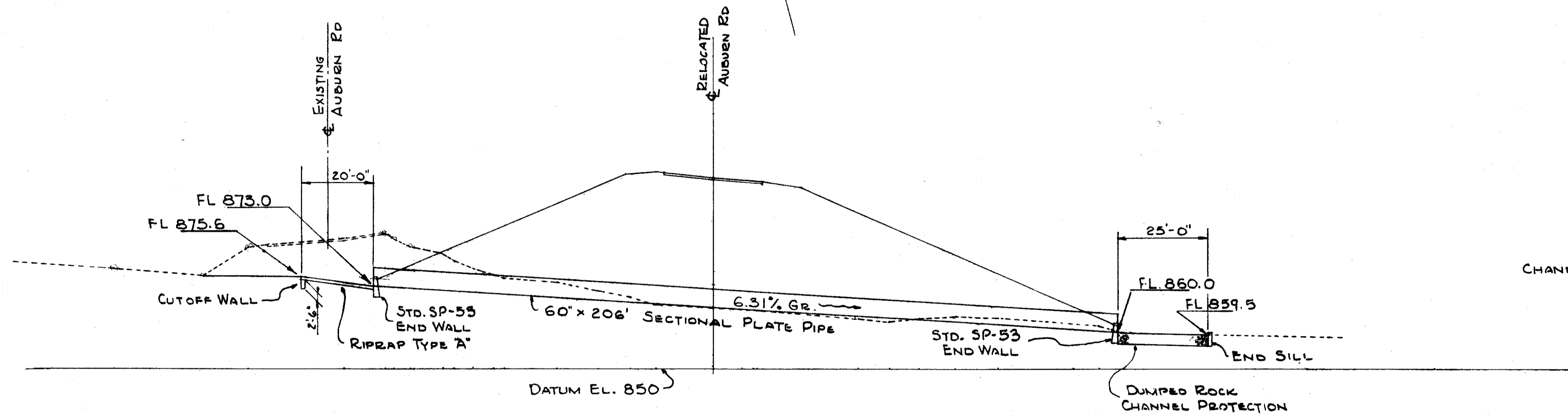


DRAINAGE AREA = 200 AC
Q₂₅ = 180 CFS

CURVE DATA
R = 30.0'
D = 190°-59'-10"
Δ = 47°-45'-00"
L = 25.0'
T = 13.28'

ESTIMATED QUANTITIES

ITEM E-2	EXCAVATION FOR STRUCTURE	175	Cu. Yds.
ITEM E-3	CHANNEL EXCAVATION	505	Cu. Yds.
ITEM I-10	DUMPED ROCK CHANNEL PROTECTION	47.3	Sq. Yds.
ITEM I-10	RIPRAP TYPE "A"	31	Sq. Yds.
ITEM S-1	CONCRETE FOR STRUCTURES-CLASS "E"	998	Cu. Yds.
ITEM S-28	60" PIPE FOR ROADWAY CULVERT	206	Lin. Ft.
ITEM L-10	SODDING	47	Sq. Yds.



TRYGVE HOFF & ASSOCIATES
ENGINEERS
1922 EAST 107TH STREET CLEVELAND, OHIO

PIPE CULVERT
RELOCATED AUBURN ROAD
STA. 20 + 29

SCALE 1" = 20' DATE

DESIGNED	DRAWN	TRACED	CHECKED	REVIEWED	DATE	REVISED
JWP			JPC	T.L.L.	10/11/58	