

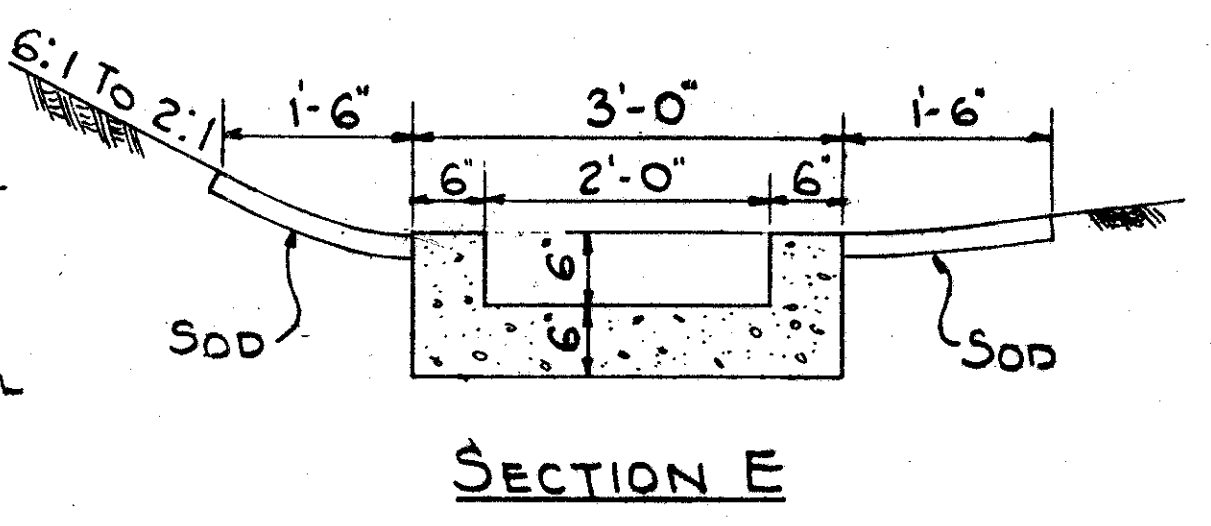
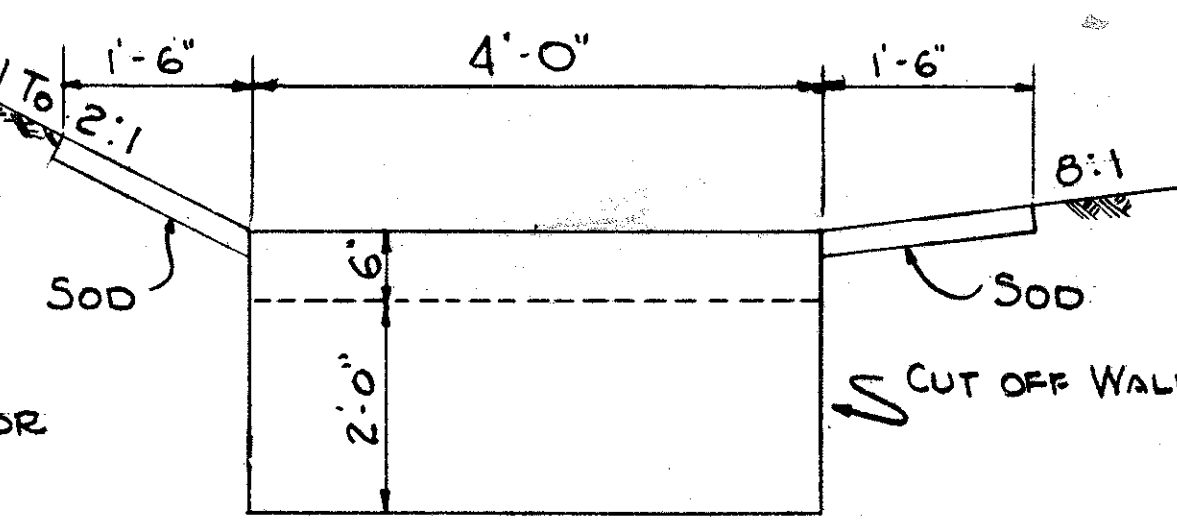
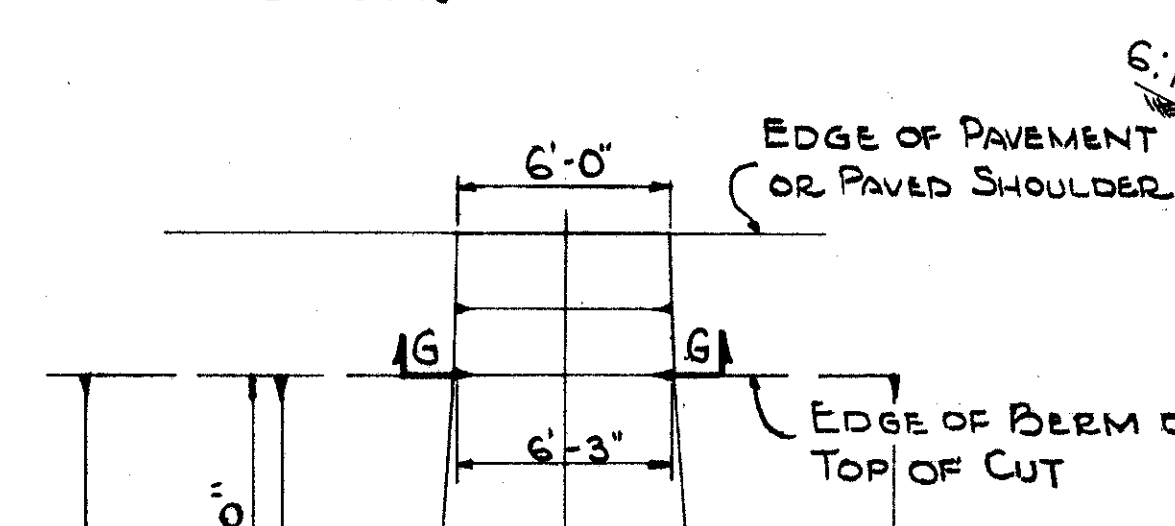
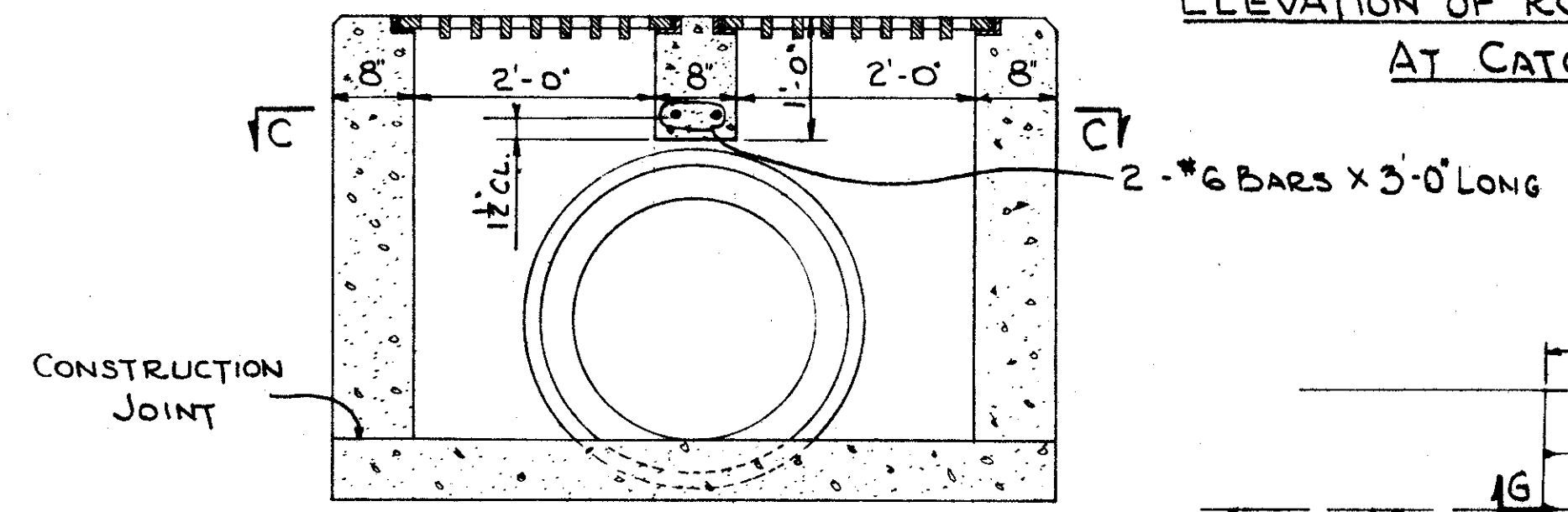
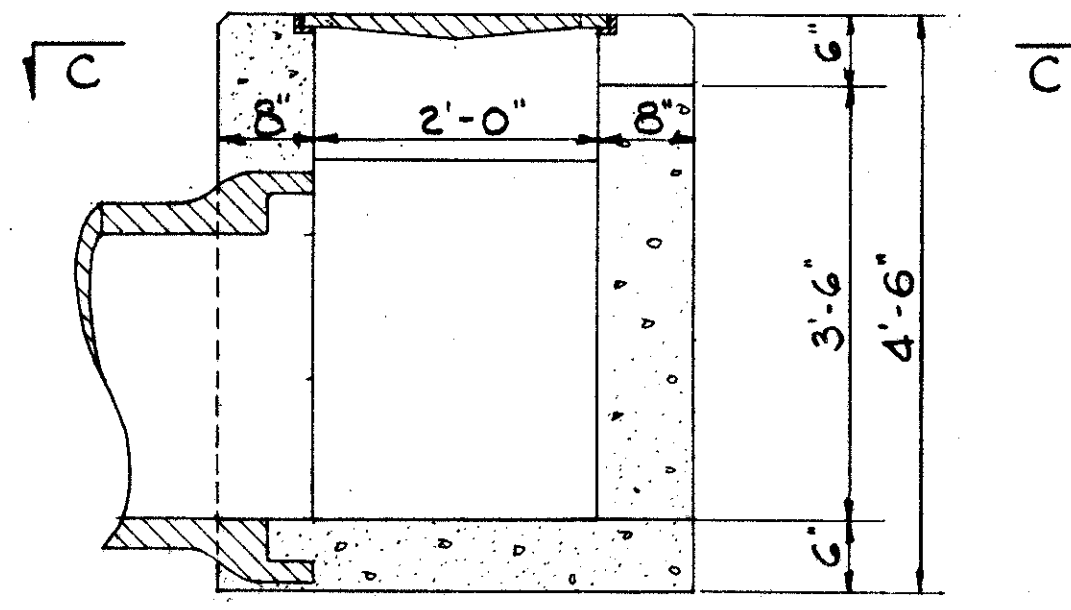
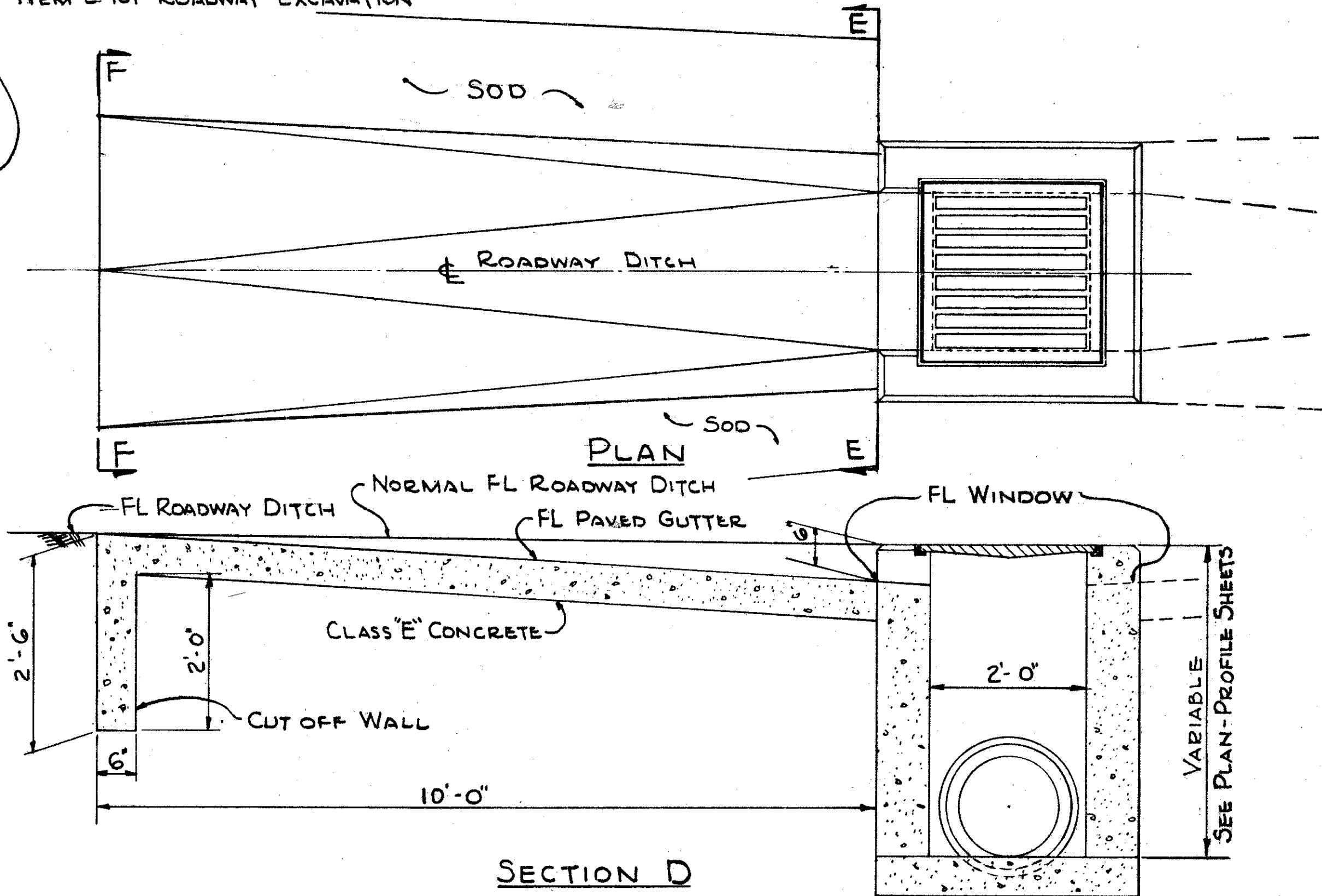
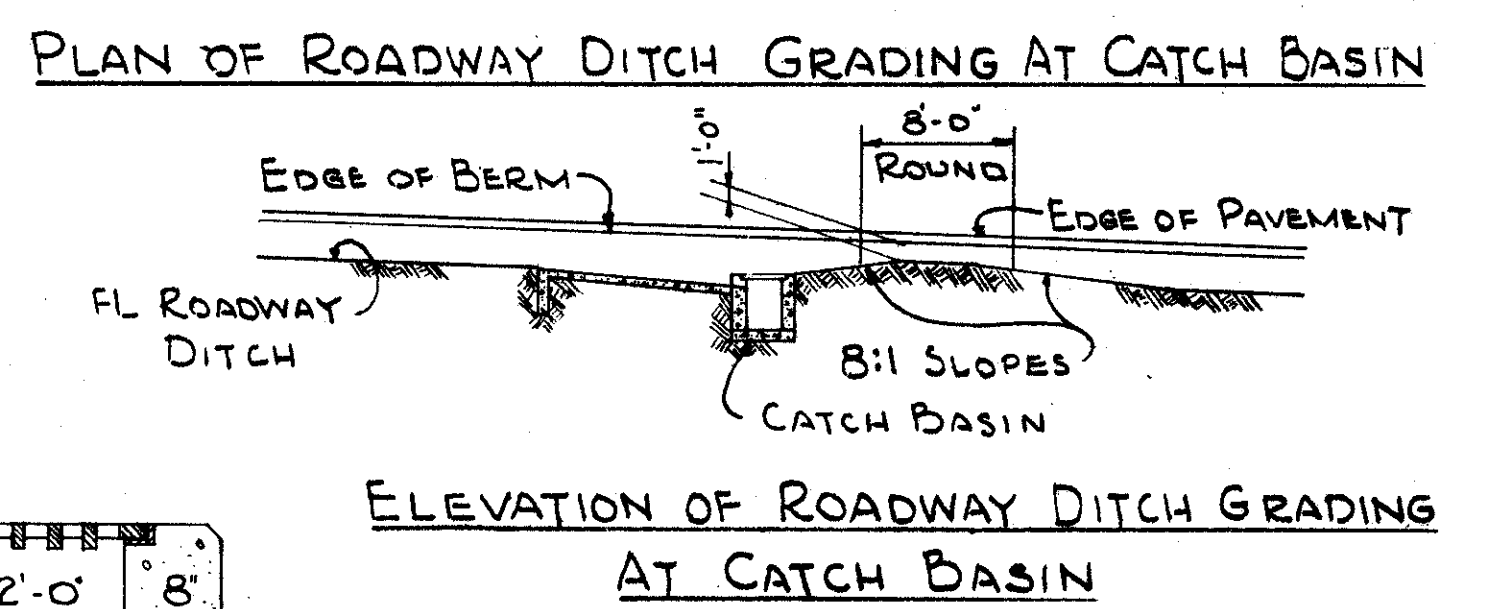
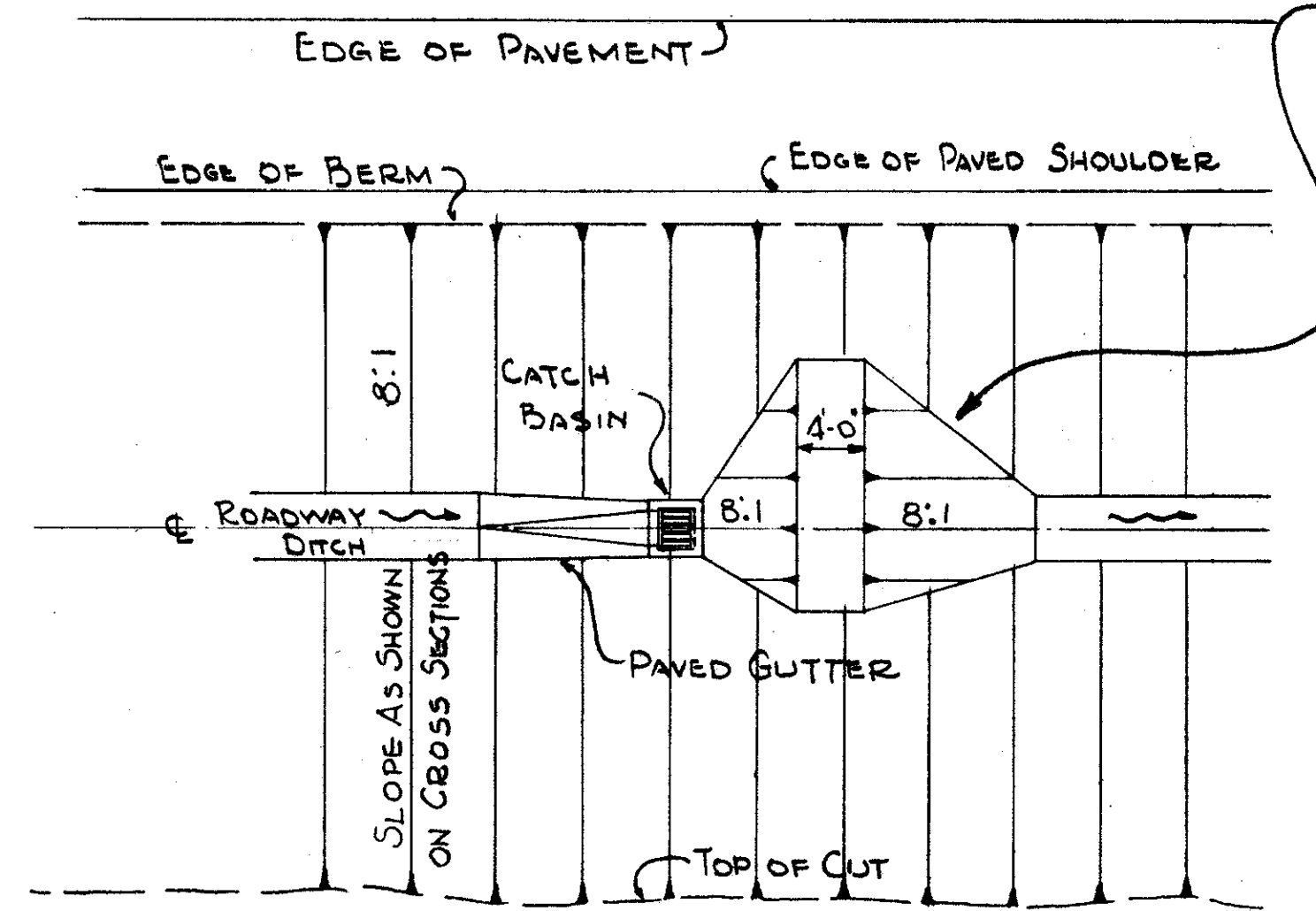
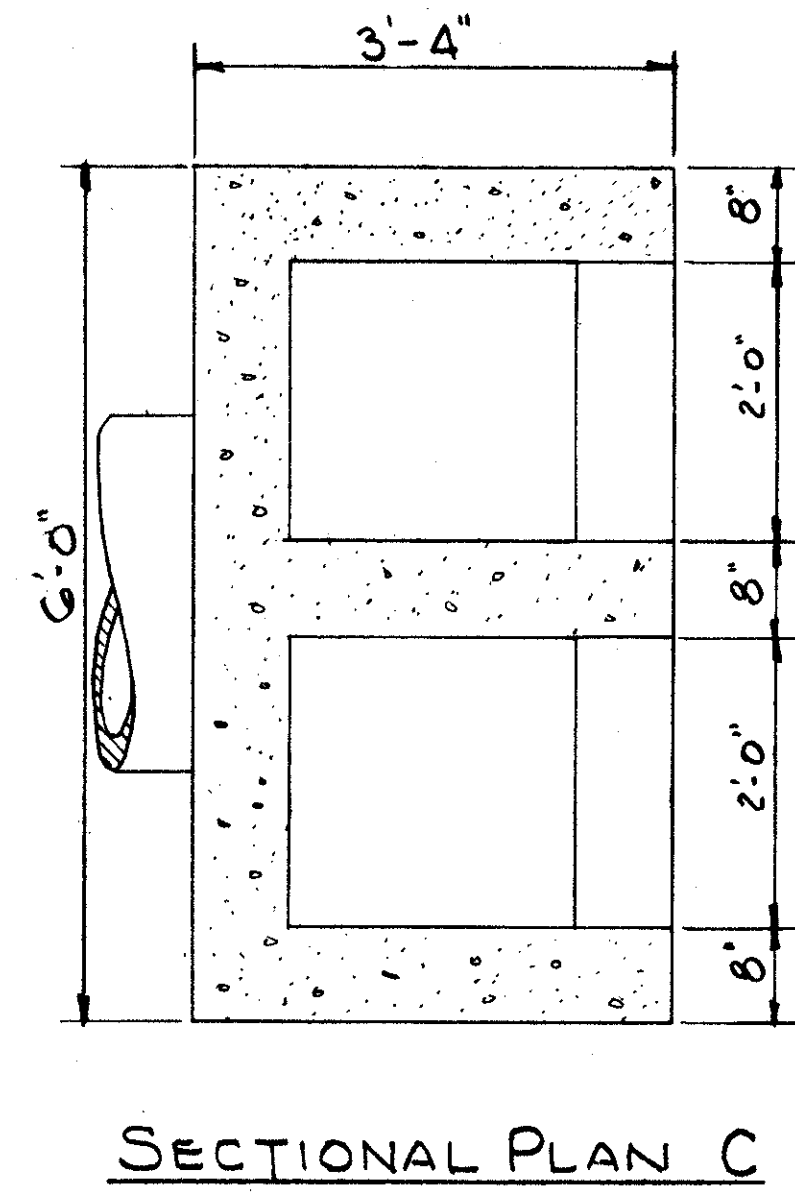
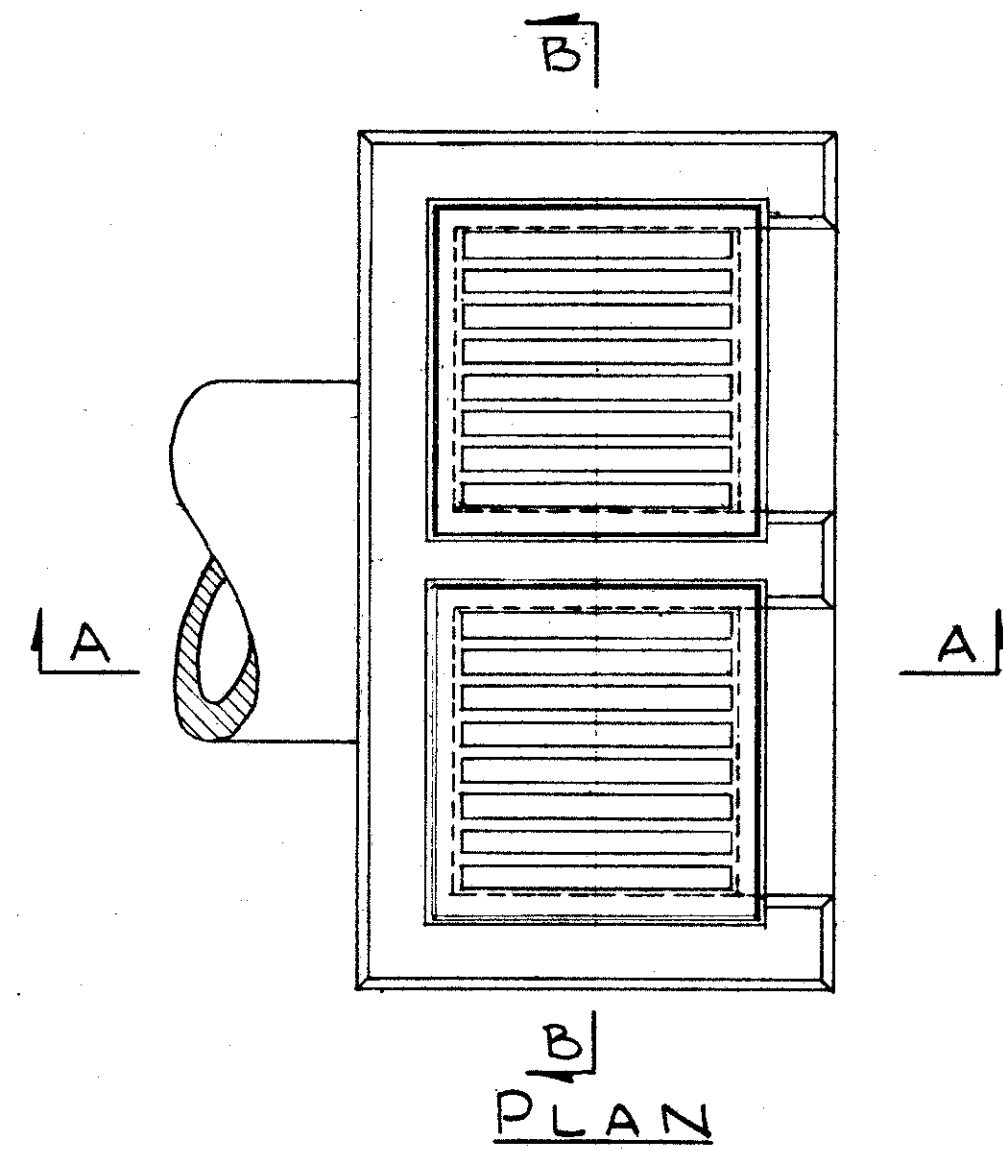
TYPICAL DETAILS

FED. RD. DIVISION	STATE	PROJECT	
2	OHIO		

6
228

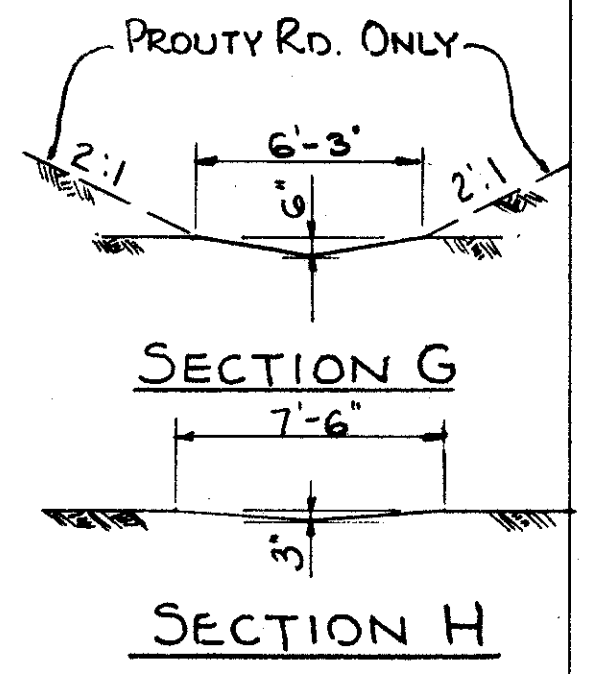
LAKE COUNTY
LAK-44-1.70

NOTE: EARTHWORK REQUIRED FOR CONSTRUCTION OF DIKE HAS BEEN INCLUDED IN THE QUANTITIES OF ITEM E-101 ROADWAY EXCAVATION



DETAIL OF No. 2-2-A CATCH BASIN (MODIFIED)
FOR LOCATION SEE SHEET No. 186

NOTE: FOR CONSTRUCTION NOTES, DIMENSIONS & DETAILS NOT SHOWN SEE STANDARD DRAWING I-8 C.B. 2-2-A



NOTE: SEE GENERAL NOTES EROSION CONTROL AT BRIDGES

DETAIL OF SPECIAL SLOPE PROTECTION - L-10

NOTE: FOR DETAILS OF CATCH BASIN NOT SHOWN SEE STANDARD DRAWING I-8 C.B. 2-2-A TWO WINDOWS & TWO PAVED GUTTERS SHALL BE CONSTRUCTED AT LOCATIONS SHOWN ON THE ALIGNMENT SHEETS

TRYGVE HOFF & ASSOCIATES
ENGINEERS
1922 EAST 107TH STREET CLEVELAND, OHIO

TYPICAL DETAILS

SCALE	DATE					
DESIGNED	DRAWN	TRACED	CHECKED	REVIEWED	DATE	REVISED
J.W.P.			J.R.C.	T.L.L.	10/11/58	