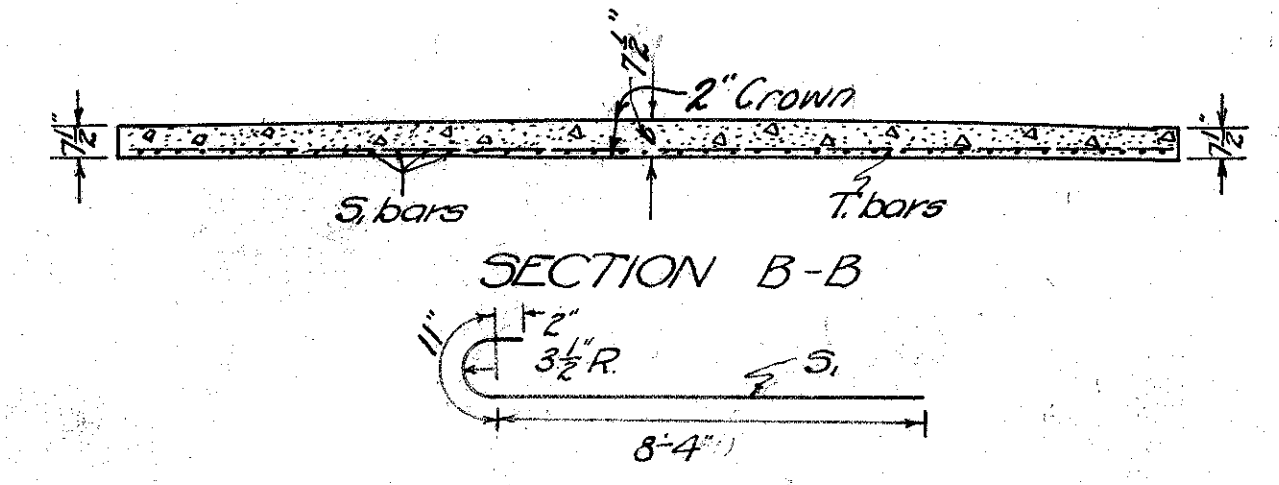
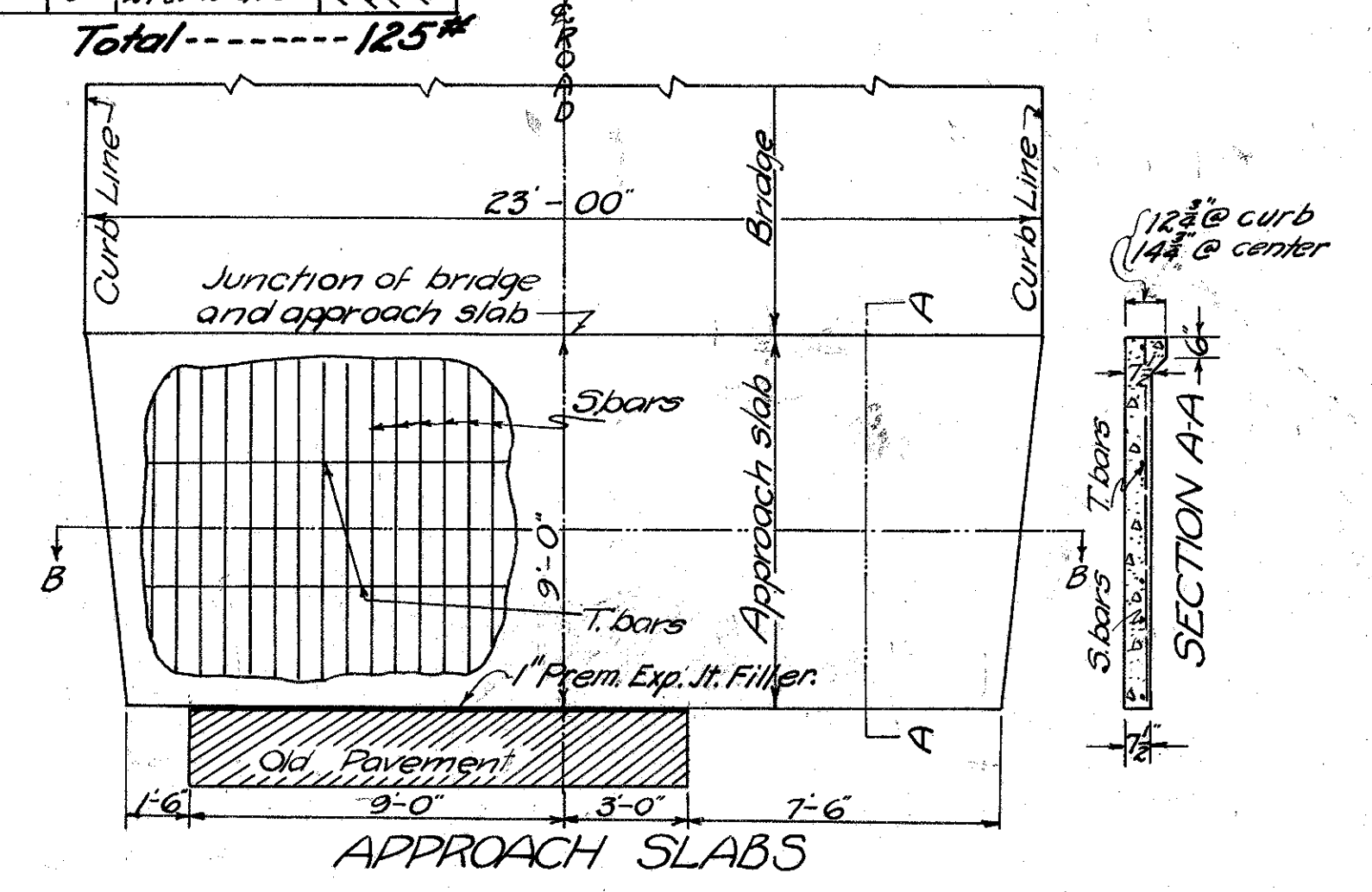


FED. AID DIST. NO.	STATE	FED. AID PROJECT	FISCAL YEAR
	OHIO		

SH I.C.H. 153  
LAKE  
SEC. F  
COUNTY

STEEL LIST - RAILING					
MARK	SIZE	LENGTH	NO.	SPACING	WEIGHT
D4a	3/8" φ	9'-0"	8	2 Per End Post	75
D5a	3/4" φ	8'-3"	4	2 Per Mid. Post	50
R4a	3/8" φ	10'-4"	8	4 Per Top Rail	
R1a	3/8" φ	3'-5"	4	1 Per End Post	
R1b	3/8" φ	14'-0"	4	2 Per Low Rail	
R1c	3/8" φ	3'-0"	8	2 Per End Post	
Total					125#

Included for payment with material per sq. ft. of railing



STEEL LIST BRIDGE					
MARK	SIZE	LENGTH	NO.	SPACING	WEIGHT
S	3/4" φ	13'-0"	70	4"	1367
T	1/2" φ	26'-0"	6	2'-0"	105
W	3/4" φ	9'-0"	16	4" staggered curb	216
K	3/8" φ	2'-0"	52	1 staggered	108
F	3/8" φ	4'-6"	52	1'-6"	244
TOTAL WEIGHT					2040

STEEL LIST (APPROACH SLABS)					
MARK	SIZE	LENGTH	NO.	SPACING	WEIGHT
S	3/4" φ	9'-6"	78	0'-7"	1111
T	3/8" φ	shown	8	3'-0"	65
TOTAL WEIGHT					1176

Included for payment with 59 yds. of approach slab.

SUMMARY OF QUANTITIES

Excavation (wet)	36 cu. yds.
Excavation (dry)	60 cu. yds.
Embankment	45 cu. yds.
1: 5/8" concrete (Wearing surface)	31.7 sq. yds.
1: 5/8" concrete (slab+curb)	11.7 cu. yds.
1: 6" concrete (walls)	40.0 cu. yds.
1: 6" concrete (footings)	29.0 cu. yds.
Approach slab 1.5" Reinforced concrete, 1/2" thick	440 sq. yds.
Reinforcing steel	2165# lbs.
Concrete railing (complete) R-R4	20 lineal feet
Remove stone + concrete masonry	26 cu. yds.
Remove old pavement and temporary Bridge and Approaches	24 sq. yds.
Constructing and maintaining, temporary Bridge and Approaches	See page 4
Remove present Bridge (Lump)	
1" Prem. Exp. Jt. Filler (inc. for pay't with app. slabs)	26 sq. ft.
1/2" Prem. Exp. Jt. Filler	23 sq. ft.

STD. DWG. SB 2430

