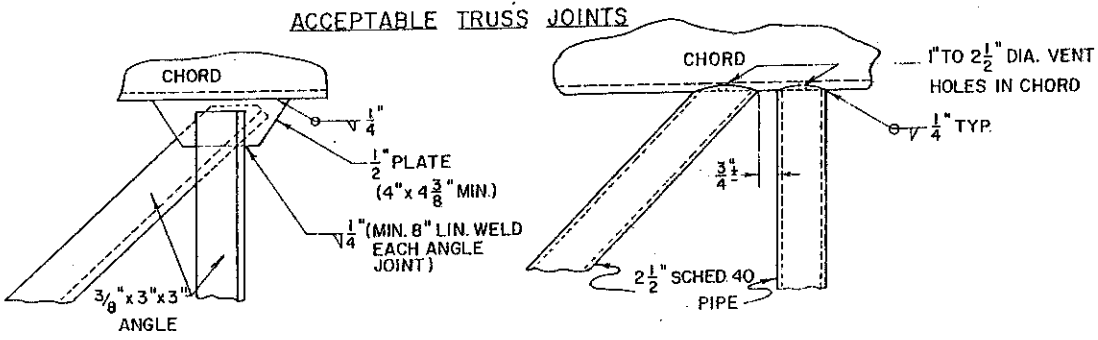


DESIGN NUMBER	POLE SIZE		ARM SIZE	
	OUTSIDE DIAMETERS	DIAMETERS	OUTSIDE DIAMETERS	DIAMETERS
1	2 PLY. .179	10" x 6.50" x 25'-0"	.179	6" x 3.76" x 16'-0"
1ALT	8 5/8" x .500" WALL	x 25'-0"	5 9/16" x .258" WALL	x 16'-0"
2	2 PLY. .179	10" x 6.50" x 25'-0"	.239	6" x 4.60" x 20'-0"
2ALT	8 5/8" x .562" WALL	x 25'-0"	5 9/16" x .344" WALL	x 20'-0"
3	.299, .13" x 9.22"	x 27'-0"	.179, .8" x 5.76"	x 16'-0"
3ALT	10 3/4" x .438 WALL	x 27'-0"	6 5/8" x .250" WALL	x 16'-0"
4	.299, .13" x 9.22"	x 27'-0"	.179, .9" x 6.20"	x 20'-0"
4ALT	10 3/4" x .500" WALL	x 27'-0"	6 5/8" x .344" WALL	x 20'-0"
5	.299, .15" x 11.08"	x 28'-0"	.179, .95" x 6.42"	x 22'-0"
5ALT	12 3/4" x .500" WALL	x 28'-0"	8 5/8" x .250" WALL	x 22'-0"
6	2 PLY. .179, .15" x 11.08"	x 28'-0"	.239, .10" x 6.36"	x 26'-0"
6ALT	12 3/4" x .562" WALL	x 28'-0"	8 5/8" x .322" WALL	x 26'-0"
7	2 PLY. .179	16.5" x 12.58" x 28'-0"	.239	10" x 6.64" x 24'-0"
7ALT	14" x .562" WALL	x 28'-0"	8 5/8" x .322" WALL	x 24'-0"
8	2 PLY. .239	16.5" x 12.58" x 28'-0"	.239	11" x 7.08" x 28'-0"
8ALT	14" x .594" WALL	x 28'-0"	10 3/4" x .279" WALL	x 28'-0"
9	2 PLY. .239	16.5" x 12.30" x 30'-0"	.239, .11" x 7.36"	x 26'-0"
9ALT	14" x .688" WALL	x 30'-0"	10 3/4" x .279" WALL	x 26'-0"
10	2 PLY. .239	18" x 13.80" x 30'-0"	.239	13" x 8.80" x 30'-0"
10ALT	16" x .656" WALL	x 30'-0"	10 3/4" x .438" WALL	x 30'-0"
11	2 PLY. .239	18" x 13.80" x 30'-0"	.239	12 1/2" x 8.86" x 26'-0"
11ALT	16" x .656" WALL	x 30'-0"	10 3/4" x .365" WALL	x 26'-0"
12	2 PLY. .299	18" x 13.80" x 30'-0"	.299	13" x 8.80" x 30'-0"
12ALT	16" x .884" WALL	x 30'-0"	10 3/4" x .500" WALL	x 30'-0"



DESIGN NUMBER	DESIGN SIZE (SQ. FT.)	DESIGN MOMENT ARM (FT.)	DIM. "F" (IN)	DIM. "P" (IN)	DIM. "S" (IN)	DIM. "T" (IN)	BOLT CIRCLE "B" (IN)	ANCHOR BOLTS (IN)	DIM. "H" (IN)
1	67	12	10 5/8	7 3/4	15 3/8	2	15	3/4 x 84	2 1/8
2	67	16	10 5/8	7 3/4	15 3/8	2	15	3/4 x 84	2 1/8
3	100	12	12 3/4	8 1/2	18 1/2	2	18	2 x 90	2 1/8
4	100	16	12 3/4	8 1/2	18 1/2	2	18	2 x 90	2 1/8
5	150	14	15 1/2	8 1/2	23	2	22	2 x 90	2 1/8
6	150	18	15 1/2	8 1/2	23	2	22	2 x 90	2 1/8
7	200	14	16 3/8	9 3/4	24 1/2	2 1/2	23 1/2	2 1/2 x 114	2 7/8
8	200	18	16 3/8	9 3/4	24 1/2	2 1/2	23 1/2	2 1/2 x 114	2 7/8
9	250	15 1/2	16 3/8	9 3/4	24 1/2	2 1/2	23 1/2	2 1/2 x 114	2 7/8
10	250	19 1/2	18	9 3/4	26 1/2	2 1/2	25 1/2	2 1/2 x 114	2 7/8
11	300	15 1/2	18	9 3/4	26 1/2	2 1/2	25 1/2	2 1/2 x 114	2 7/8
12	300	19 1/2	18	11 1/4	26 1/2	3	25 1/2	3 x 138	3 1/8

- NOTES**
- ARM ATTACHMENT PLATE TO BE WELDED INSIDE AND OUTSIDE WITH FILLET WELDS. EACH FILLET WELD SHALL BE EQUAL TO THE WALL THICKNESS OF THE RESPECTIVE TUBING.
 - CONSTRUCTION DETAILS AND LOCATION OF HANDHOLE, WIRE OUTLETS, BALLAST MOUNTING BRACKETS AND DISCONNECT SWITCH ENCLOSURE MOUNTING BRACKETS ARE SHOWN ON DRAWING TC-22.10.
 - SIGNS UNDER 20'-0" LONG, ONE 1 1/2" PIPE COUPLING WELDED TO THE TOP CHORD APPROXIMATELY 12" OUTBOARD OF FIRST SIGN BRACKET. FOR SIGNS 20' LONG OR OVER, A SECOND 1 1/2" PIPE COUPLING IS REQUIRED APPROXIMATELY 12" OUTBOARD OF THE SECOND SIGN BRACKET. ALL SHARP EDGES INSIDE THE CHORD AND PIPE COUPLING MUST BE REMOVED.
 - FOR DESIGNS 11 AND 12 CHANGE THE 1/2" x 6" PLATES TO 3/4" x 6", THE 1/2" FILLET WELDS TO 3/4", THE 1/4" x 4 1/2" BOLTS TO 1 3/8" x 4 3/4" AND THE 1 3/8" DIA. HOLES TO 1 1/2" DIA. HOLES. ALL OTHER NOTES AND DIMENSIONS TO BE HELD.
 - UNLESS OTHERWISE NOTED, DIMENSIONS AND INSTRUCTIONS APPLY TO BOTH THE STANDARD DESIGN AND ALTERNATE DESIGN.
 - SIGN SUPPORT ARMS UNDER 18'-0" DO NOT REQUIRE TRUSSING.
 - FOR FOUNDATION DETAILS SEE DRAWING TC-21.20.
 - FOR SIGN BRACKETS TO BE FURNISHED WITH THIS STRUCTURE SEE DRAWING TC-22.20.
 - FOR MODIFICATION OF POLE TO SUPPORT ROADWAY LIGHTING, SEE DRAWING TC-22.10.
 - THE BASE PLATE SHALL BE WELDED TO TWO PLY POLES WITH AWS PREQUALIFIED WELDS IN CONFORMANCE WITH 730.04.

ALL ITEMS SHALL CONFORM TO C & M SPECIFICATIONS 630 AND 730 UNLESS OTHERWISE SPECIFIED.

BUREAU OF DESIGN SERVICES DIVISION OF HIGHWAYS OHIO DEPARTMENT OF TRANSPORTATION		OVERHEAD SIGN SUPPORT	DATE 3-23-73 9-19-73 10-1-74 3/1/79 6/10/81 1/20/84
STANDARD CONSTRUCTION DRAWING			
APPROVED			

BRUNING 44560-10343