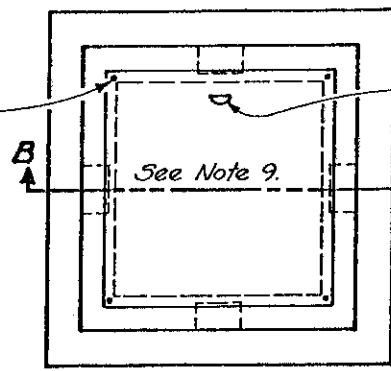


PLAN VIEW

Countersunk flat head or hexhead cap screws (4 corners).



PLAN VIEW

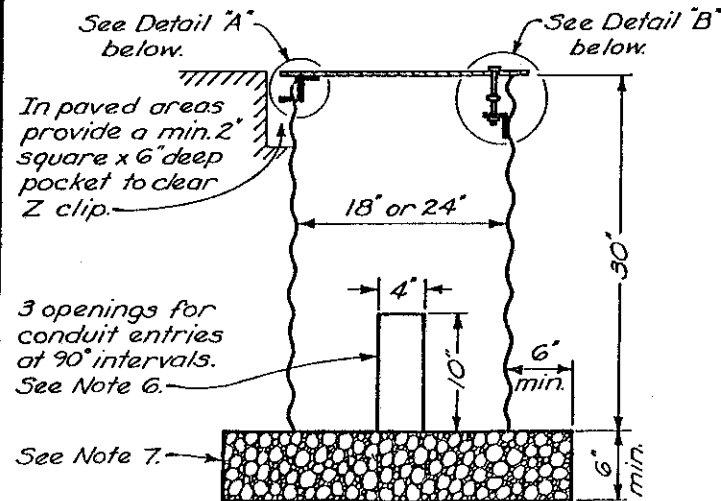
Pull ring or pry slot.

Normal face of guard rail
5'-0" - 6'-6" (Center over cable)

Warp adjacent surfaces to fit flush with horizontal cover.

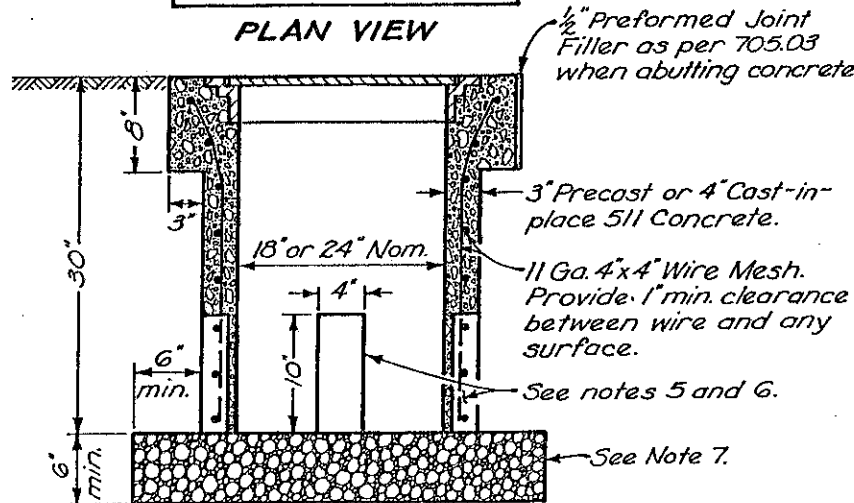
See Section A-A and Note 7.

NORMAL INSTALLATION



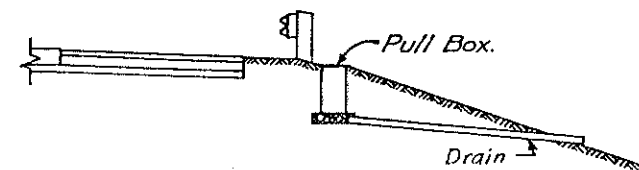
SECTION A-A

CORRUGATED STEEL PULL BOX

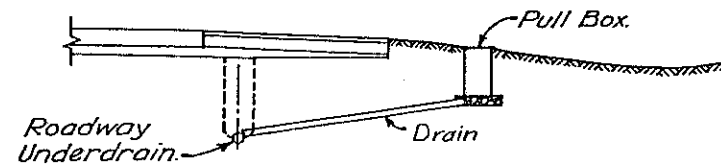


SECTION B-B

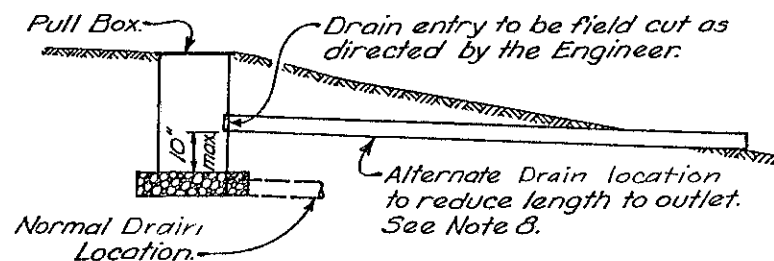
CONCRETE PULL BOX



INSTALLATION IN ROADWAY FILL SECTION



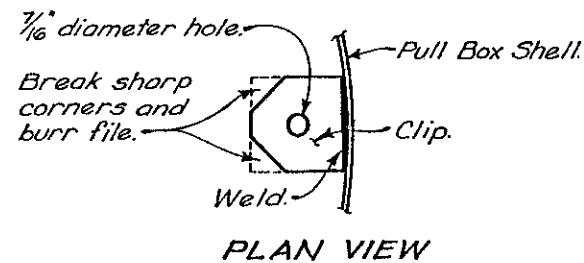
INSTALLATION IN ROADWAY CUT SECTION



ALTERNATE UNDERDRAIN LOCATION UNDERDRAINS FOR PULL BOXES

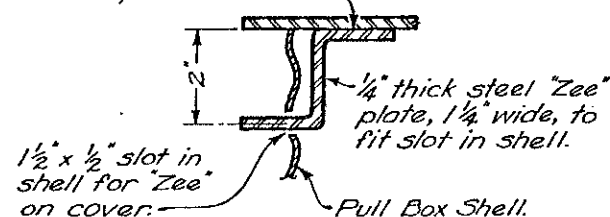
NOTES

1. Pull boxes shall conform with 625.11, 713.08, 713.081 and 713.09
2. Concrete pull boxes shall have ferrous metal covers and matching frames by Neenah, Josam or Zurn Foundries, or approved equal. Covers may be 1/2" minimum galvanized plate steel or cast iron with reinforcing ribs.
3. Tapered thickness concrete pull box walls may be used; however, minimum wall thickness shall be as indicated.
4. Lifting rings or wire pulling rings may be incorporated into precast concrete pull box walls.
5. Conduit entries for cast-in-place concrete pull boxes shall be cast as required. Precast pull boxes may have blocked out sections of the wall as knockouts in the quantity of one per wall.
6. Unused opening areas surrounding conduits shall be blocked after conduit installation.
7. Aggregate used for pull boxes shall be No. 7 or 8, at least 6" deep. Costs for aggregate shall be included with the unit price bid for each pull box.
8. Pull box drains in accordance with 603 shall be installed when specified, or as directed by the Engineer. Alternate drain location may be used when normal run would exceed 20 feet.
9. See 713.09 for cover marking requirements.

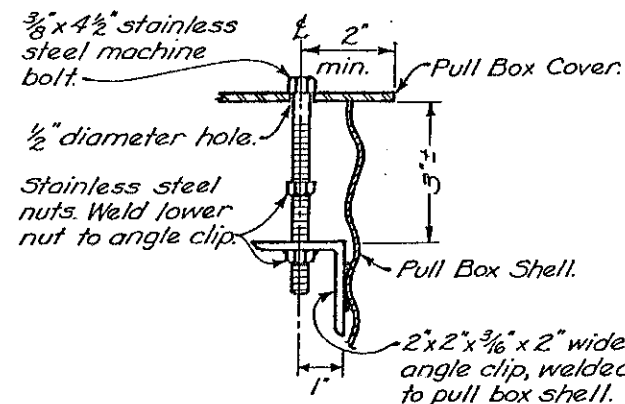


PLAN VIEW

If cover is 1/4" thick steel plate per 713.09, 3(a), weld "Zee" clip to cover. If cover is 3/8" cast iron, per 713.09, 3(b), rivet "Zee" clip to cover.



ELEVATION DETAIL A



ELEVATION DETAIL B

BUREAU OF DESIGN SERVICES DIVISION OF HIGHWAYS OHIO DEPARTMENT OF TRANSPORTATION	
HIGHWAY LIGHTING	DATE
PULL BOX DETAILS I	5-1-87
STANDARD CONSTRUCTION DRAWING	HL-30.11
APPROVED	Engineer of Design Services