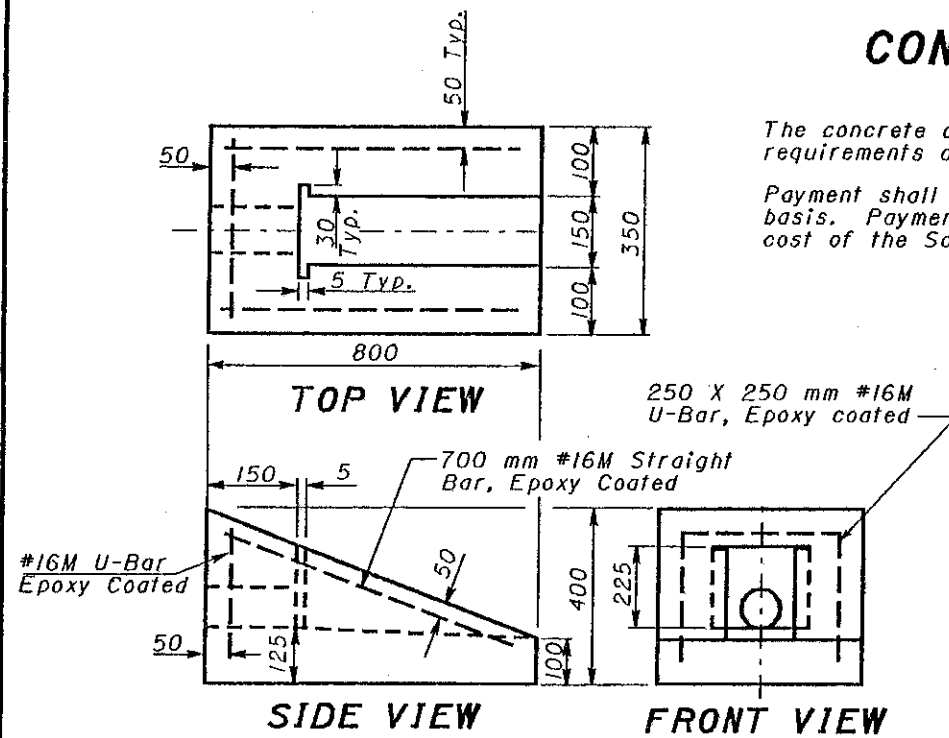
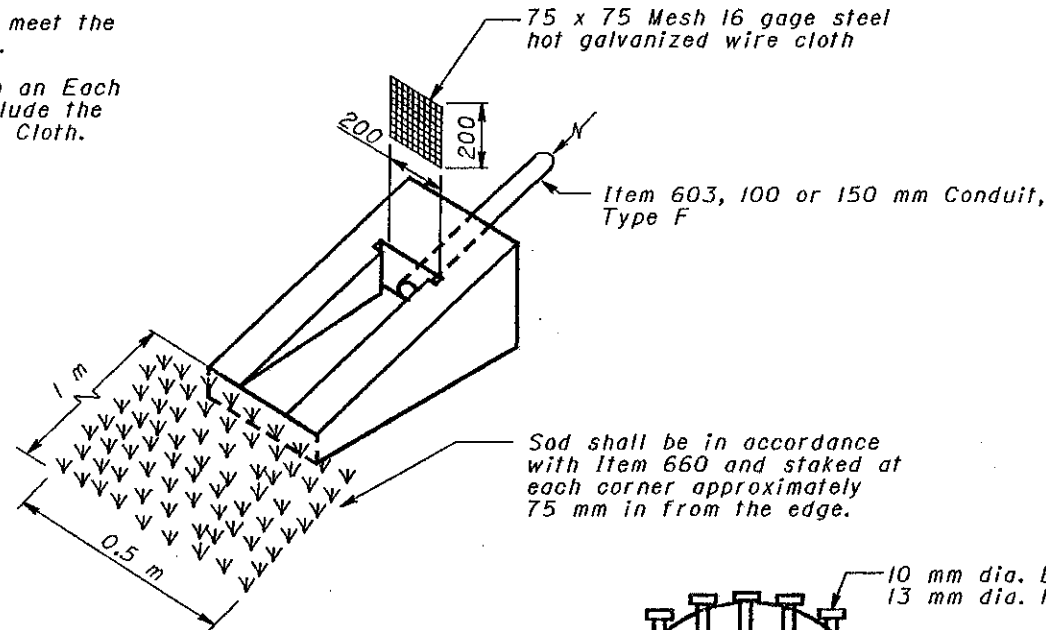


CONSTRUCTION METHODS

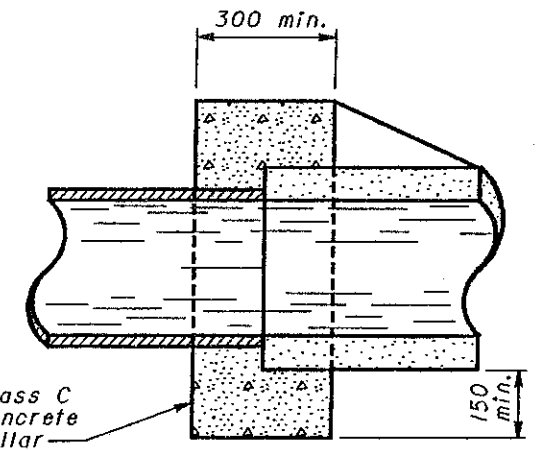
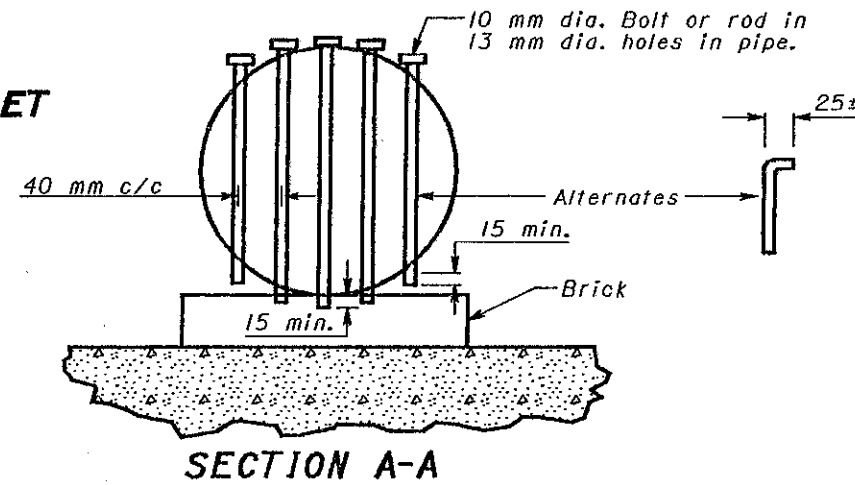
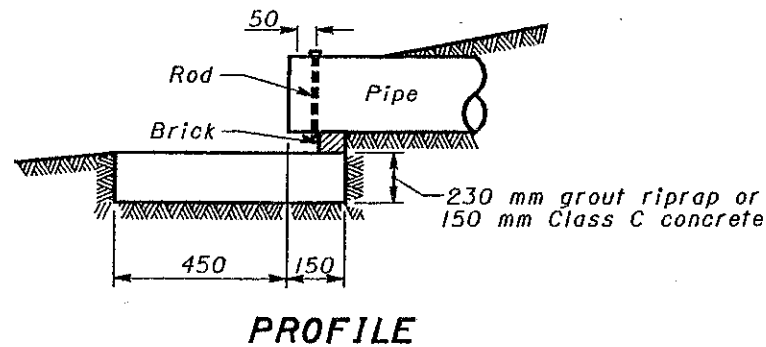
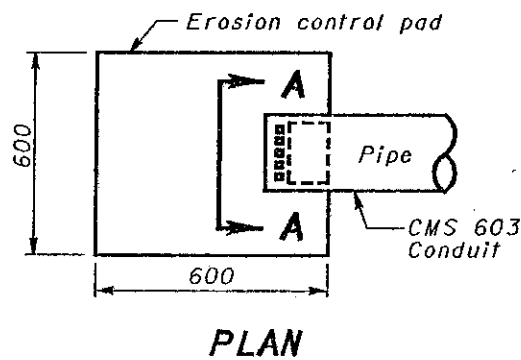


The concrete outlet shall meet the requirements of CMS 604.

Payment shall be made on an Each basis. Payment shall include the cost of the Sod and Wire Cloth.



PRECAST REINFORCED CONCRETE OUTLET

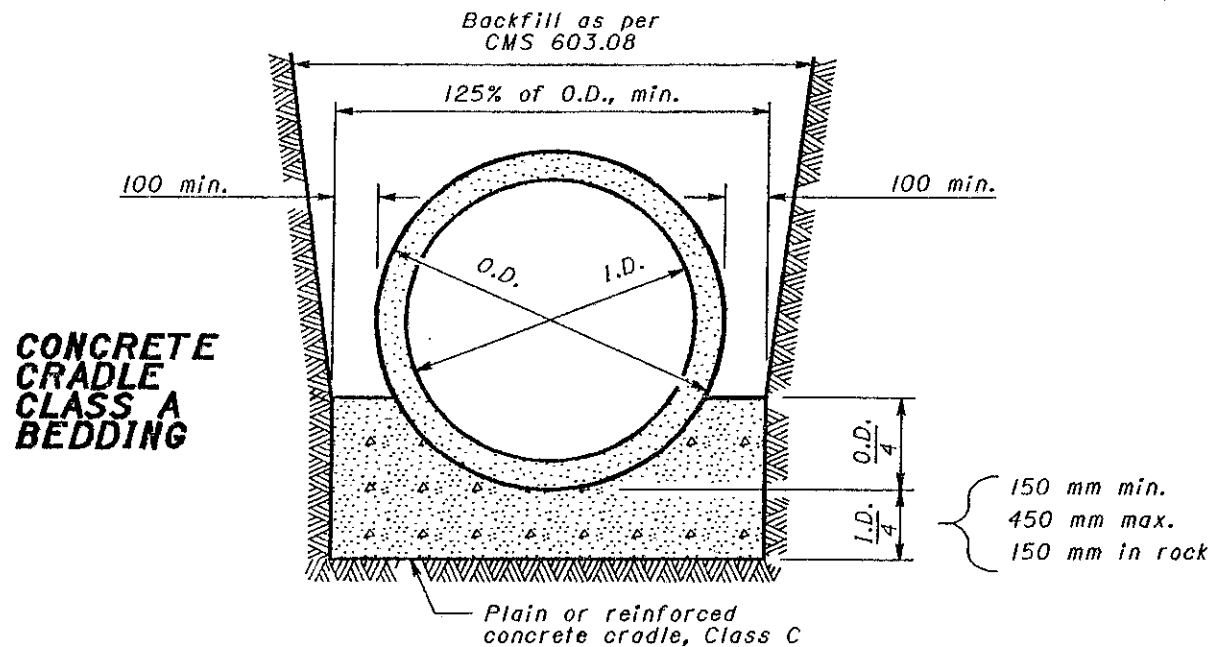


MASONRY COLLAR

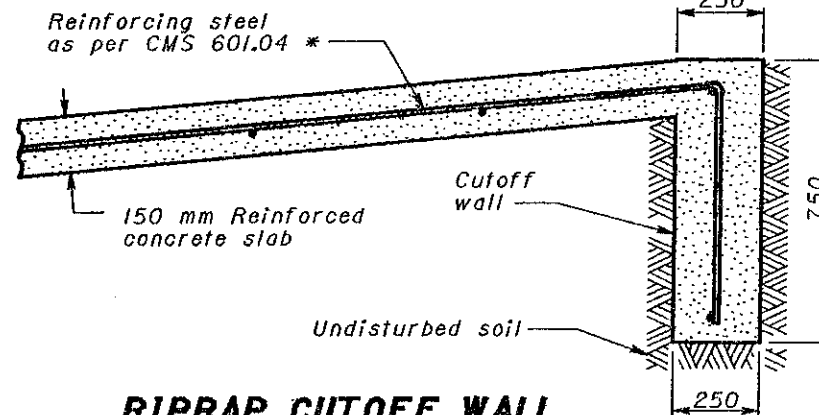
EROSION CONTROL PAD AND ANIMAL GUARD FOR OUTLET PIPE

Conduit Size (mm)	100	150	200	250	300	375	450
No. of Bolts	2	3	5	6	7	9	11

All dimensions are in millimeters unless otherwise noted.



* If wire fabric is used in the slab, #10M bars at 600 mm overlapping the fabric. 300 mm, or wire fabric in accordance with SCD BP-1.1M may be used.



RIPRAP CUTOFF WALL

The cost of the cutoff wall shall be included in the unit price bid for Item 601 Riprap using 150 mm reinforced concrete slab



This Drawing Replaces MC-4.

OHIO DEPARTMENT OF TRANSPORTATION	
OUTLETS, DRAINS AND SEWERS	DATE 6-30-95 10-21-97
STANDARD CONSTRUCTION DRAWING	DM-1.1M
APPROVED	<i>Paul F. Sutherland</i>