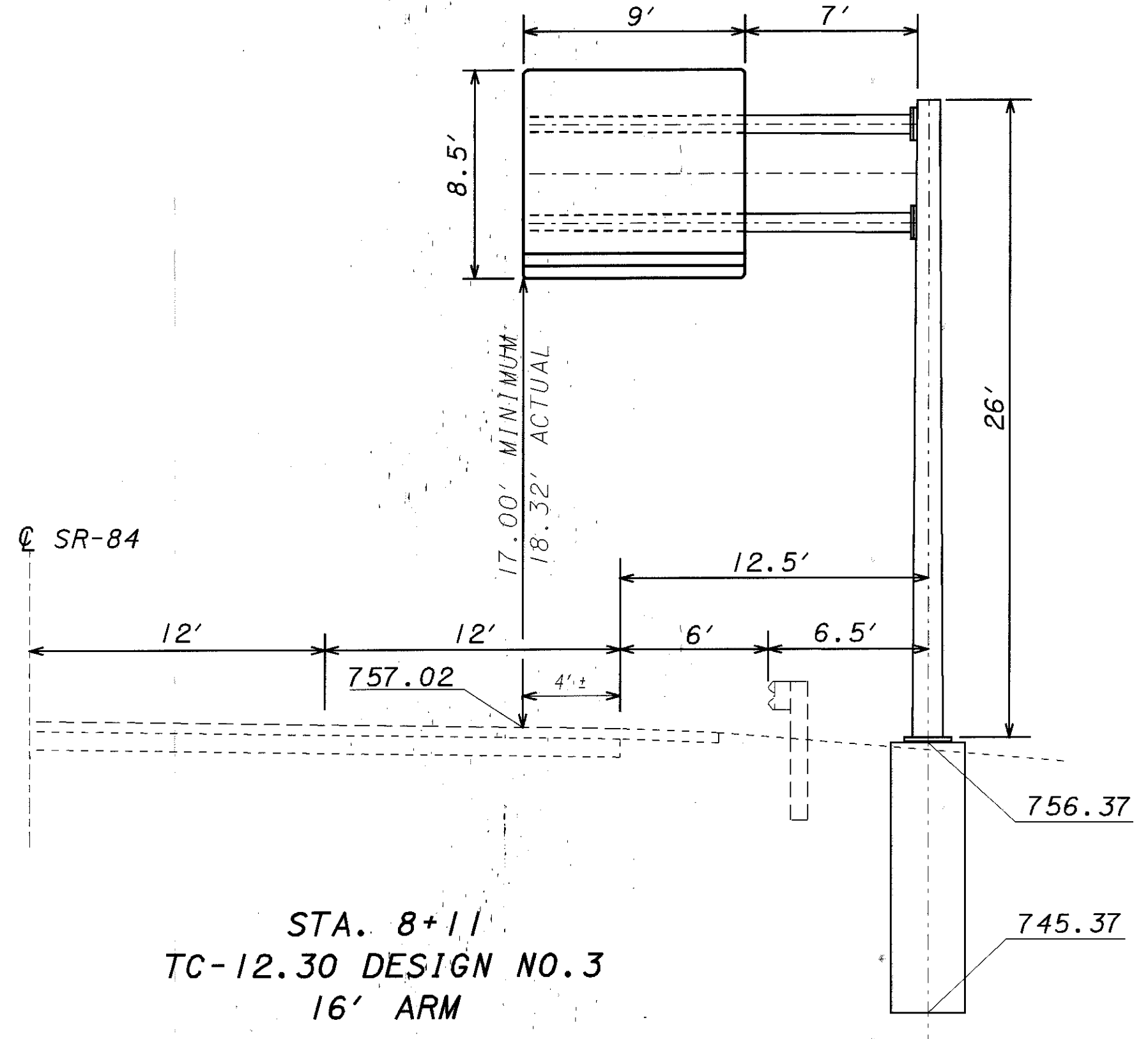
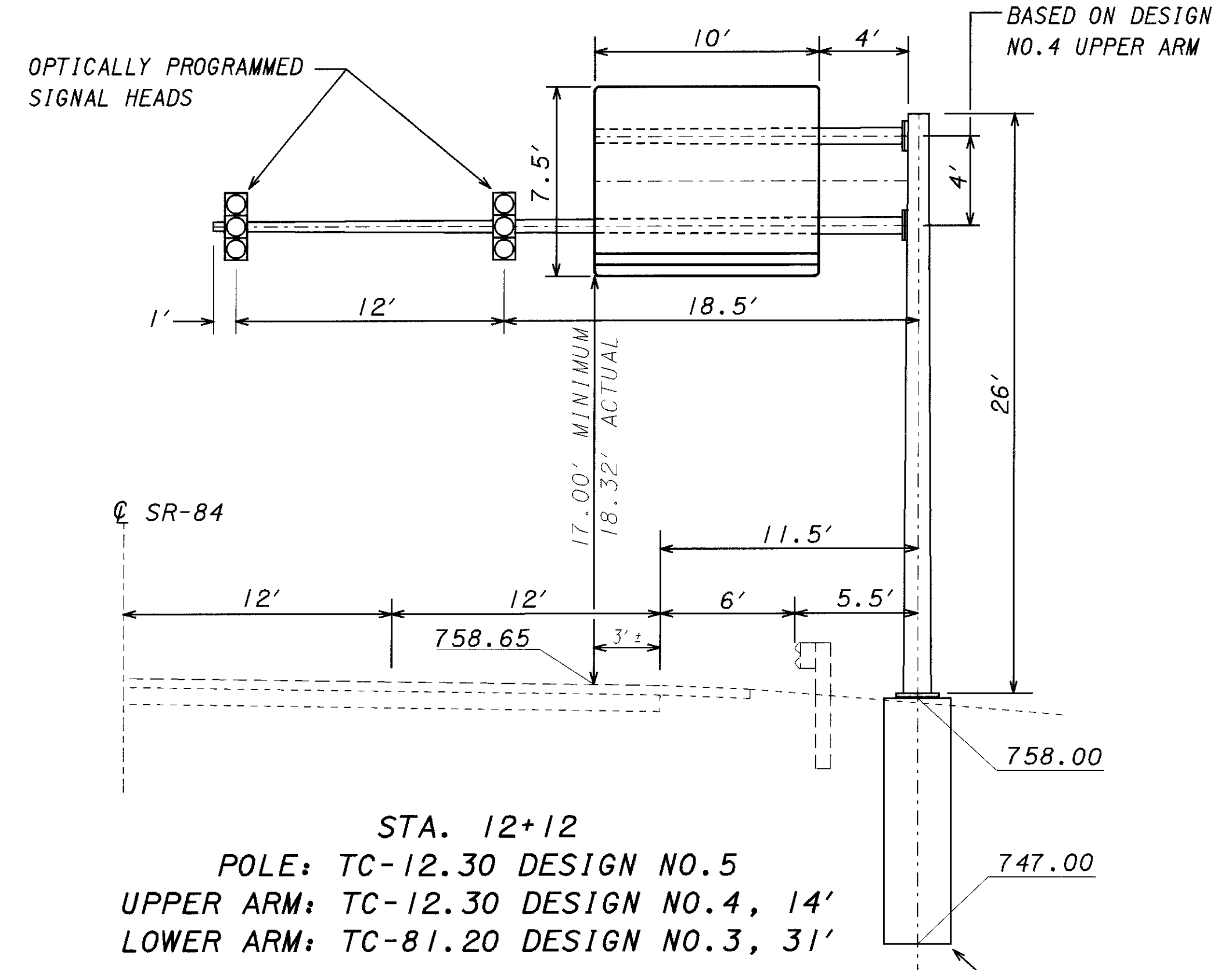


PLOTTED BY: fkonopka  
 PLOTTED FROM: i:\projects\pid09866\09866tee.dgn  
 09866tee.dgn  
 PLOT SUBMITTED: 09-FEB-1999 12:11



STA. 8+11.1  
 TC-12.30 DESIGN NO. 3  
 16' ARM

204



STA. 12+12  
 POLE: TC-12.30 DESIGN NO. 5  
 UPPER ARM: TC-12.30 DESIGN NO. 4, 14'  
 LOWER ARM: TC-81.20 DESIGN NO. 3, 31'

205

FOUNDATION TO MEET TC-12.30 DESIGN NO. 5 POLE

CALCULATED JEL  
 CHECKED XXX  
 SCALE IN FEET  
 0 2.5 5

TRAFFIC CONTROL  
 OVERHEAD SIGN - ELEVATION VIEW

LAK-44-0.01