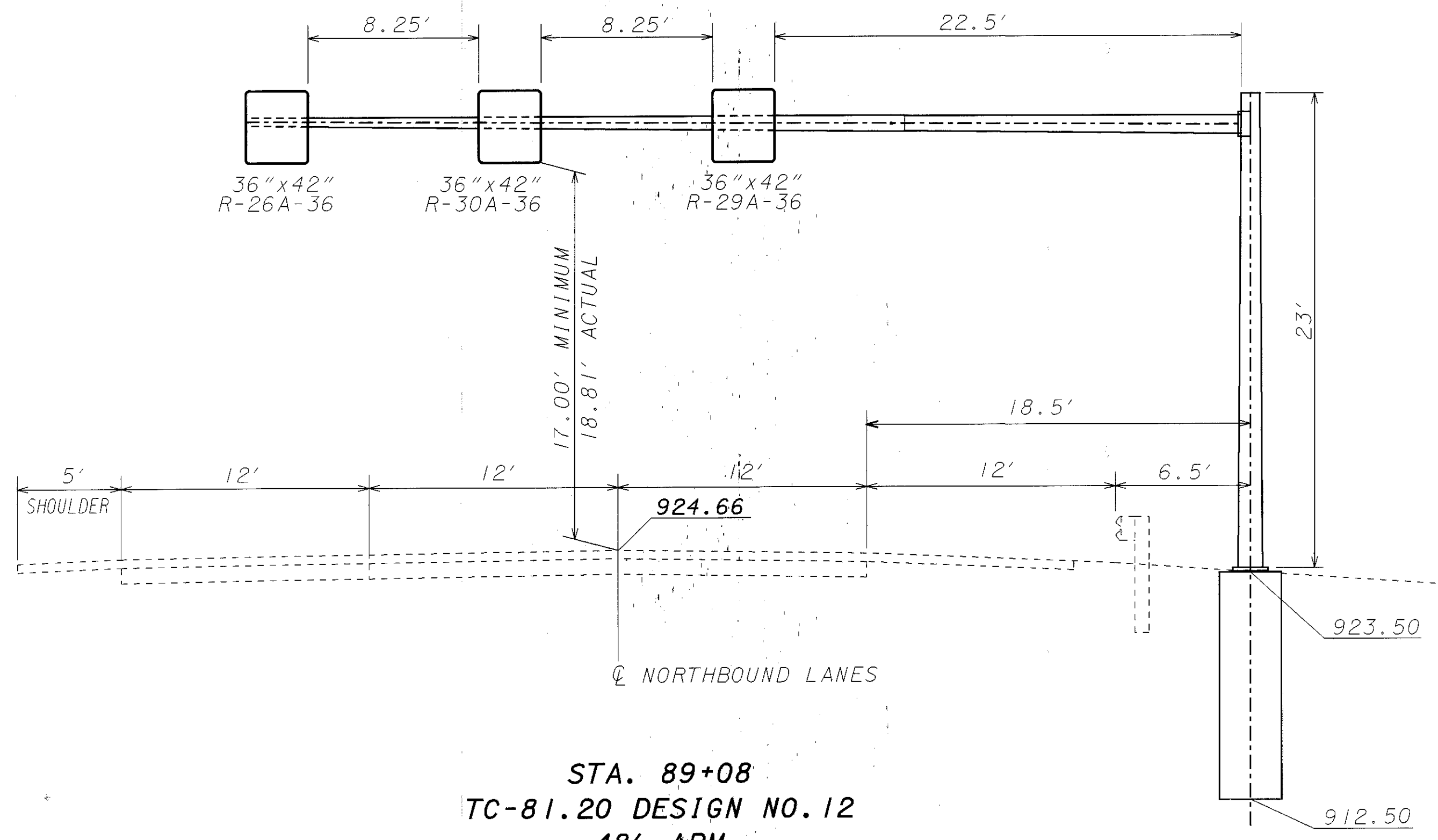
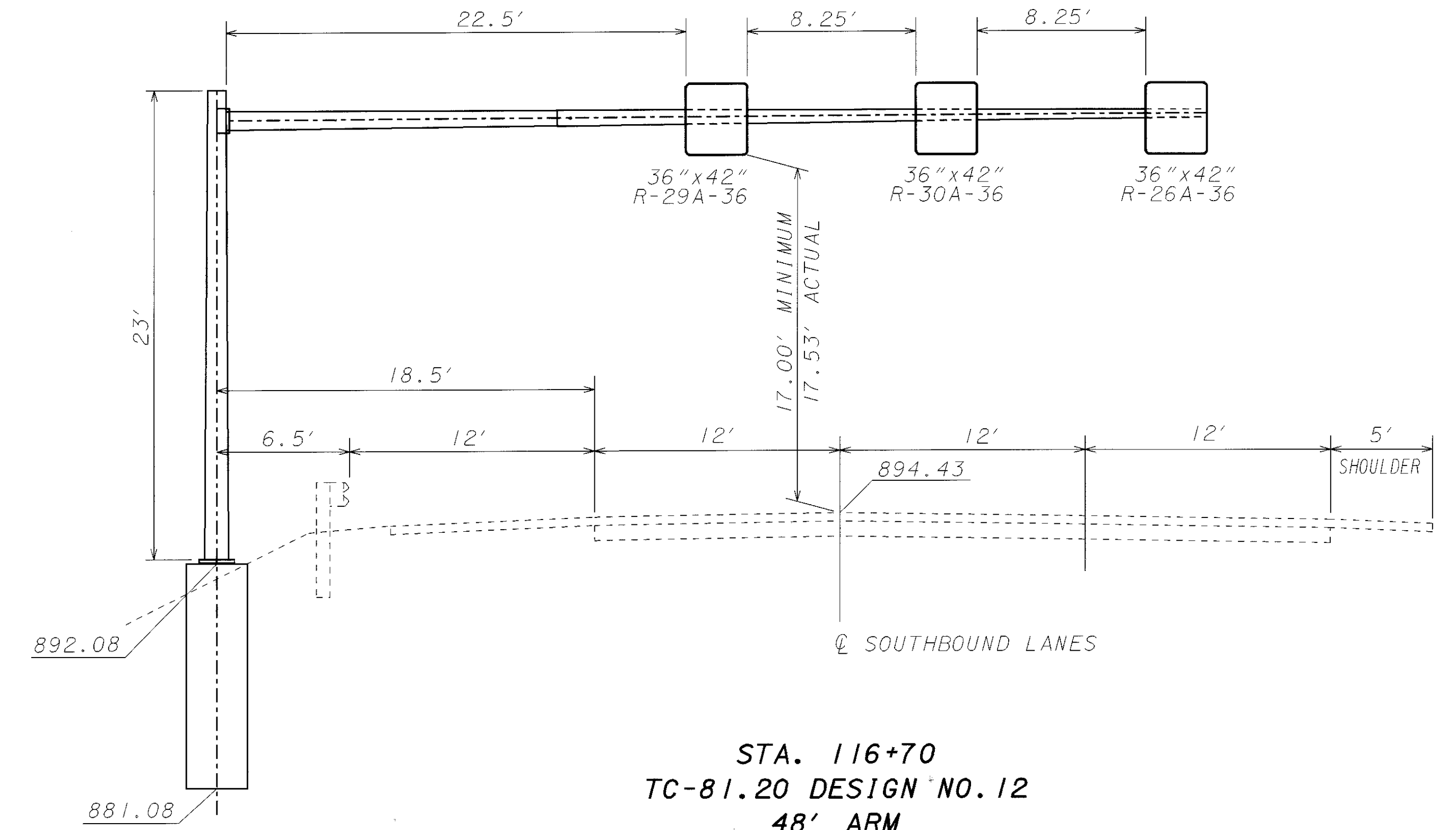


PLOTTED BY: fkonopka
 PLOTTED FROM: i:\projects\p1d09866\09866ted.dgn
 09866tea.dgn
 09-FEB-1999 12:11
 09866ted.dgn



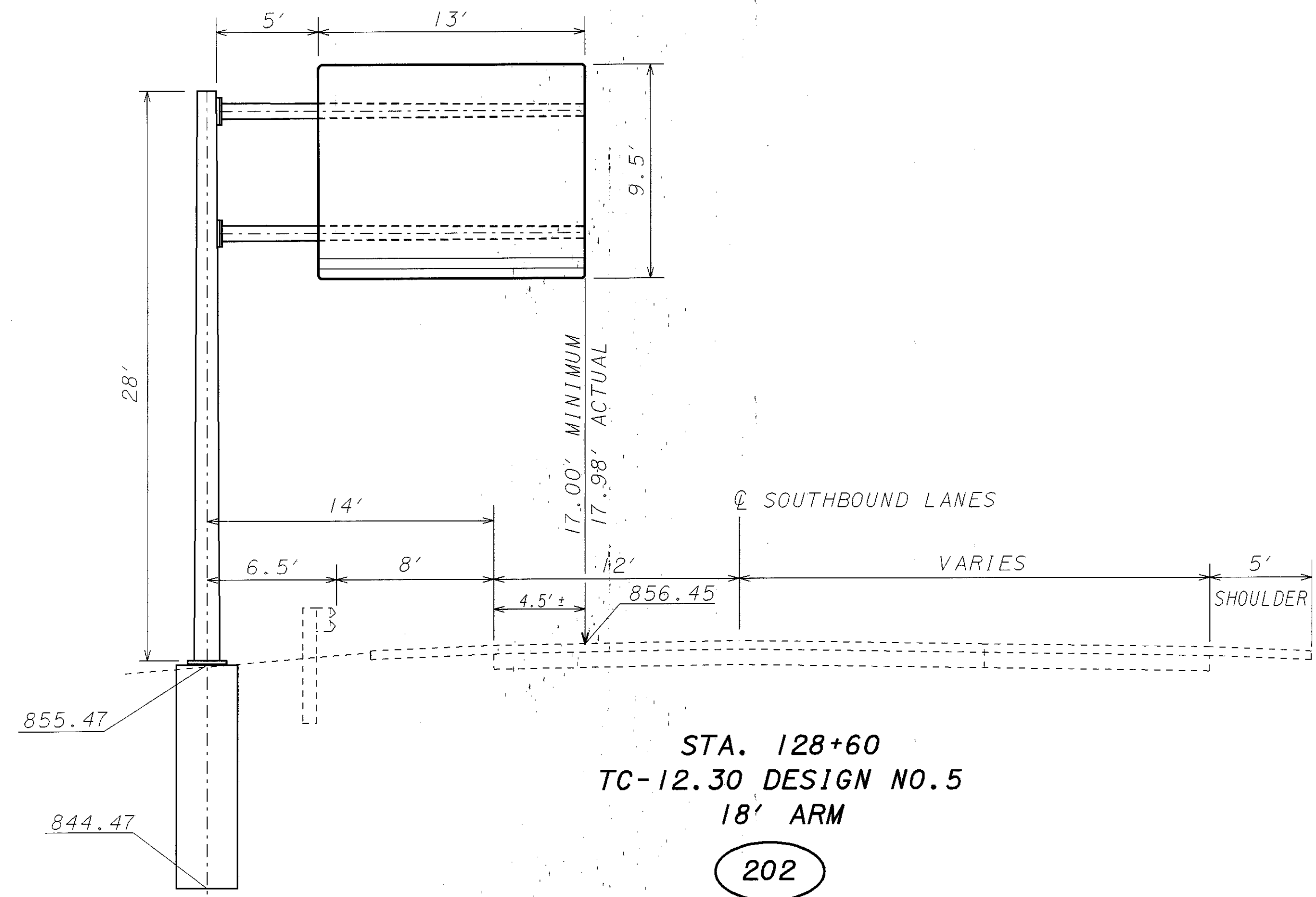
STA. 89+08
 TC-81.20 DESIGN NO. 12
 48' ARM

200



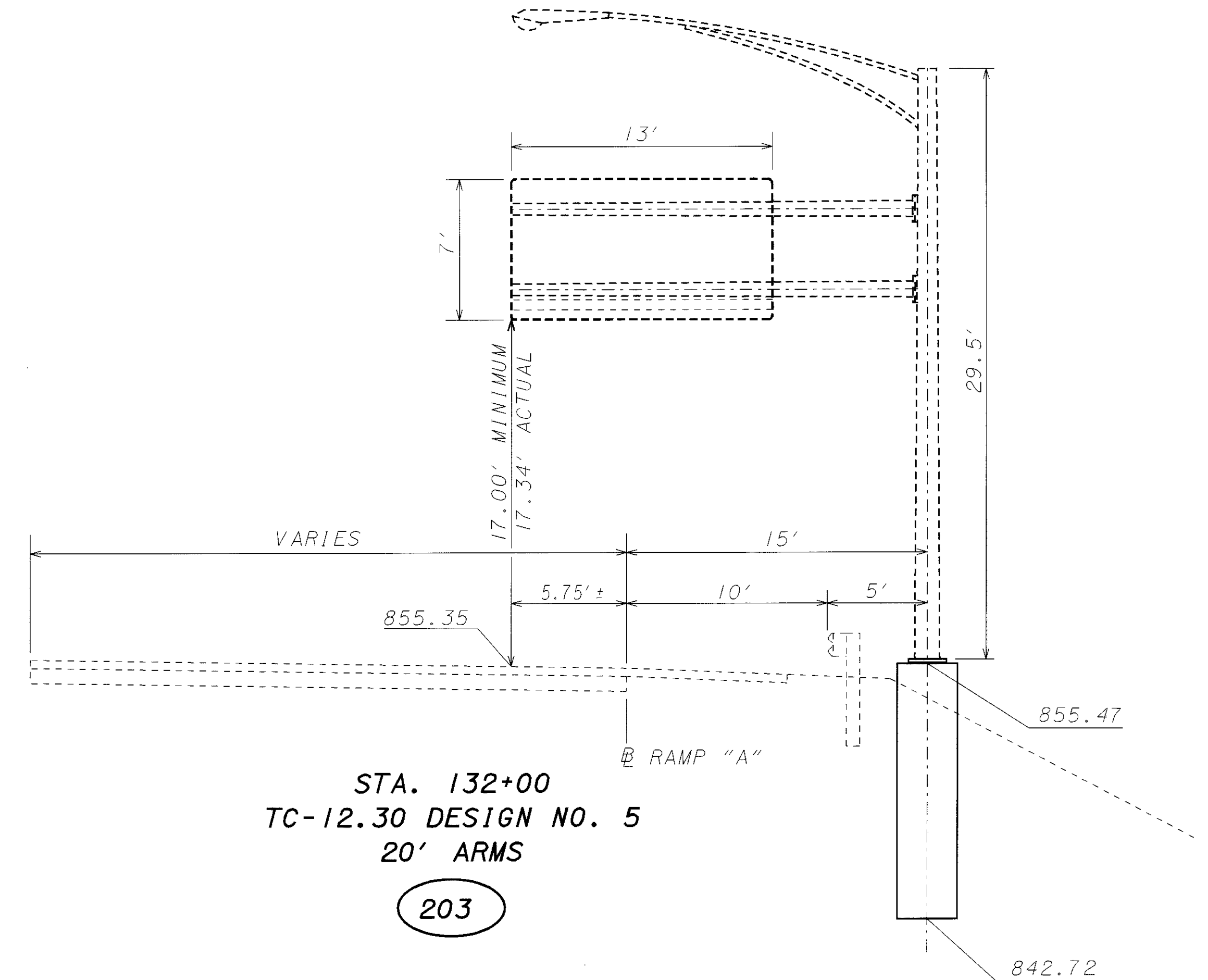
STA. 116+70
 TC-81.20 DESIGN NO. 12
 48' ARM

201



STA. 128+60
 TC-12.30 DESIGN NO. 5
 18' ARM

202



STA. 132+00
 TC-12.30 DESIGN NO. 5
 20' ARMS

203

CALCULATED JEL
 CHECKED XXX
 SCALE IN FEET
 0 2.5 5

TRAFFIC CONTROL
 OVERHEAD SIGN - ELEVATION VIEW

LAK-44-0.01

165
196