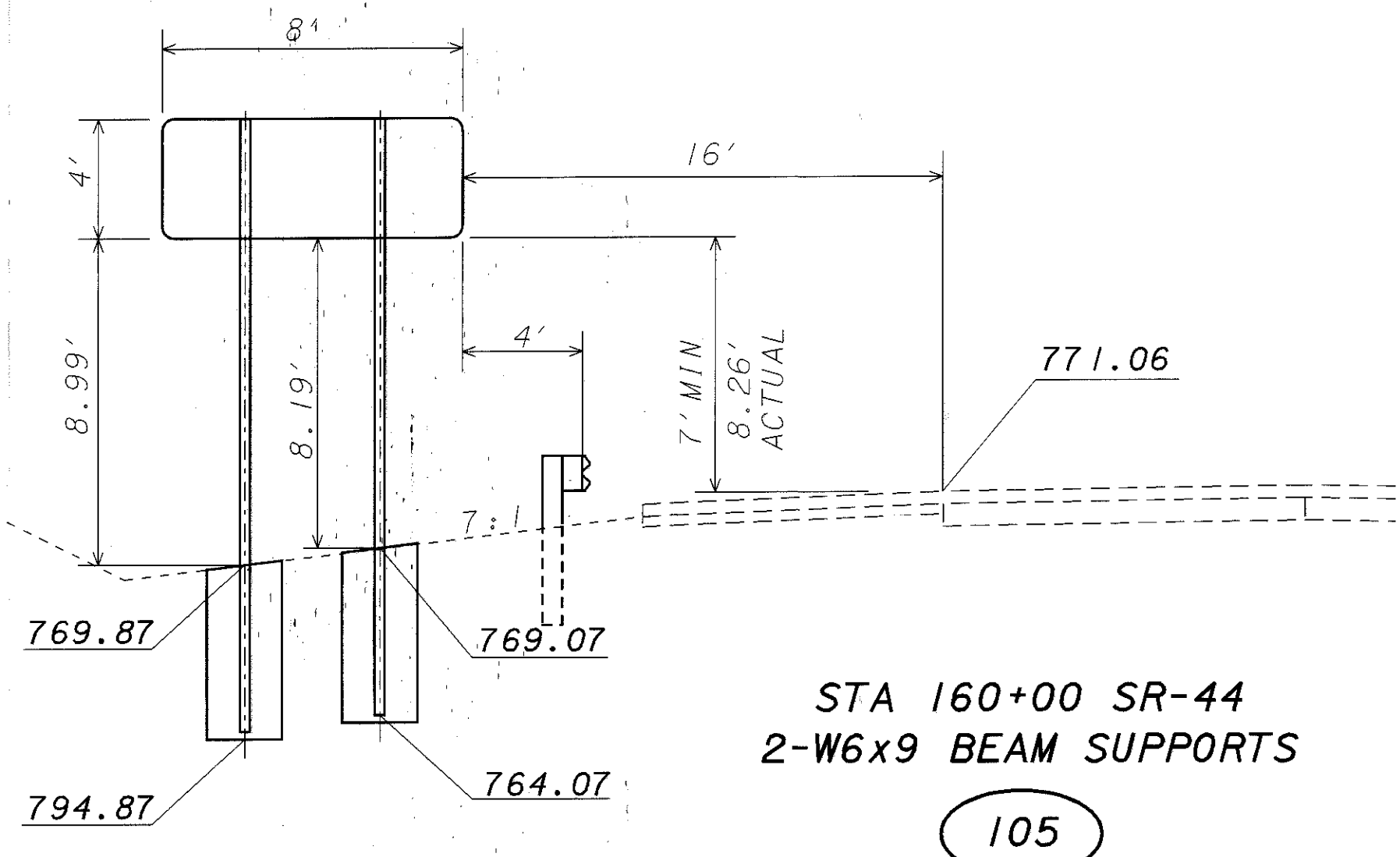
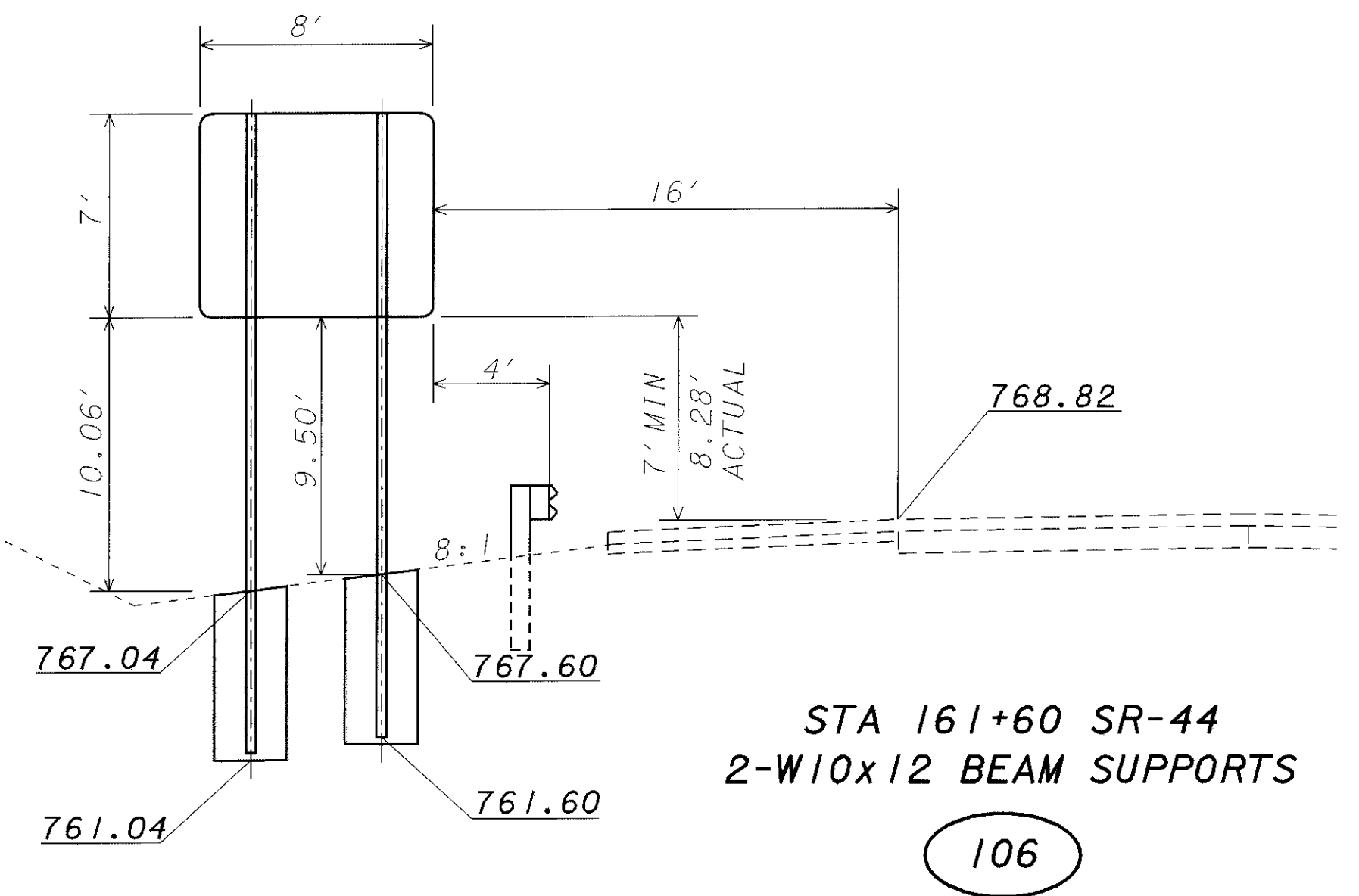


PLOTTED BY: fkonopka  
PLOTTED FROM: i:\projects\p1d09866\09866teb.dgn  
09866teb.dgn  
05-FEB-1999 10:19



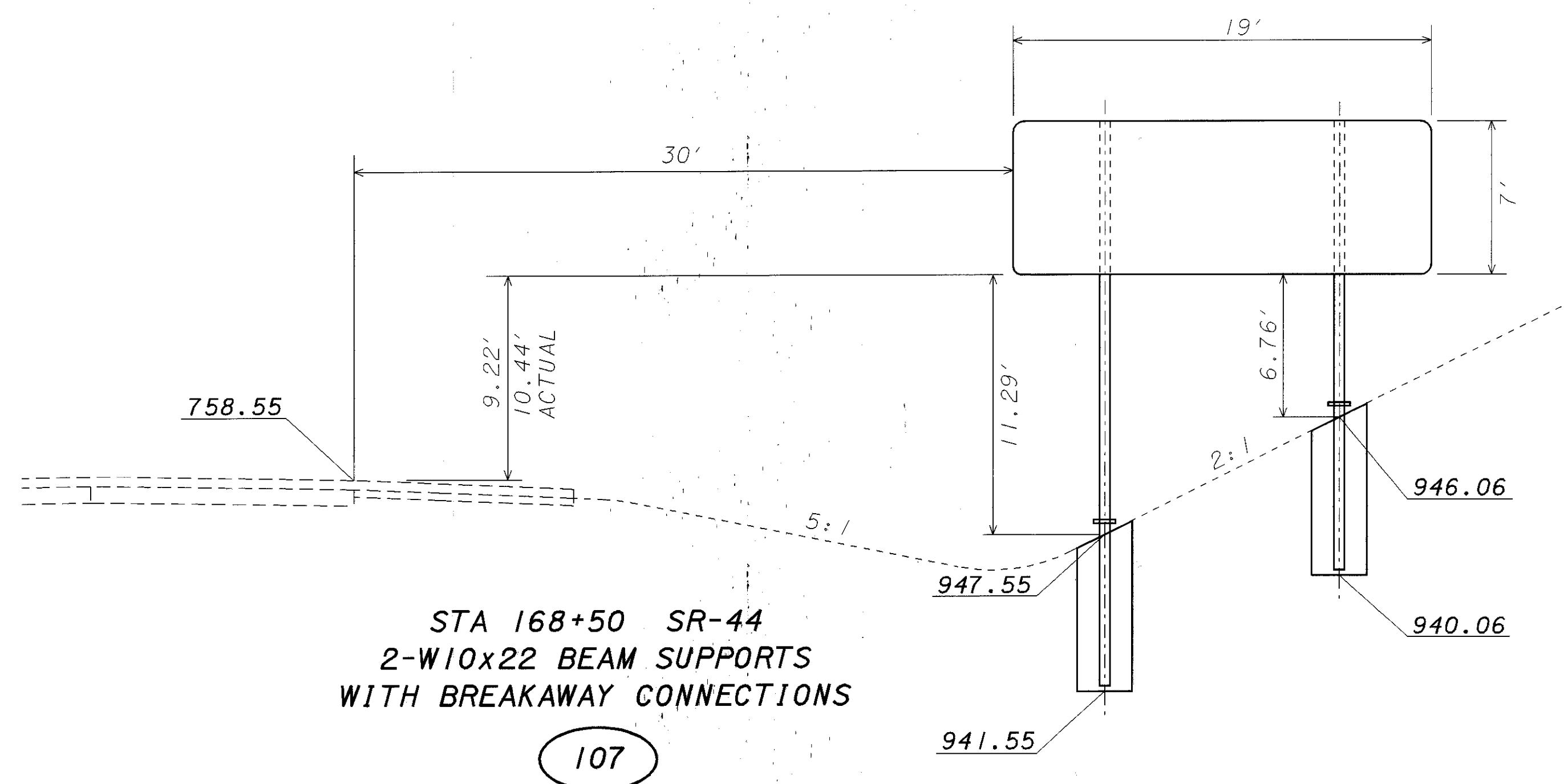
STA 160+00 SR-44  
2-W6x9 BEAM SUPPORTS

105



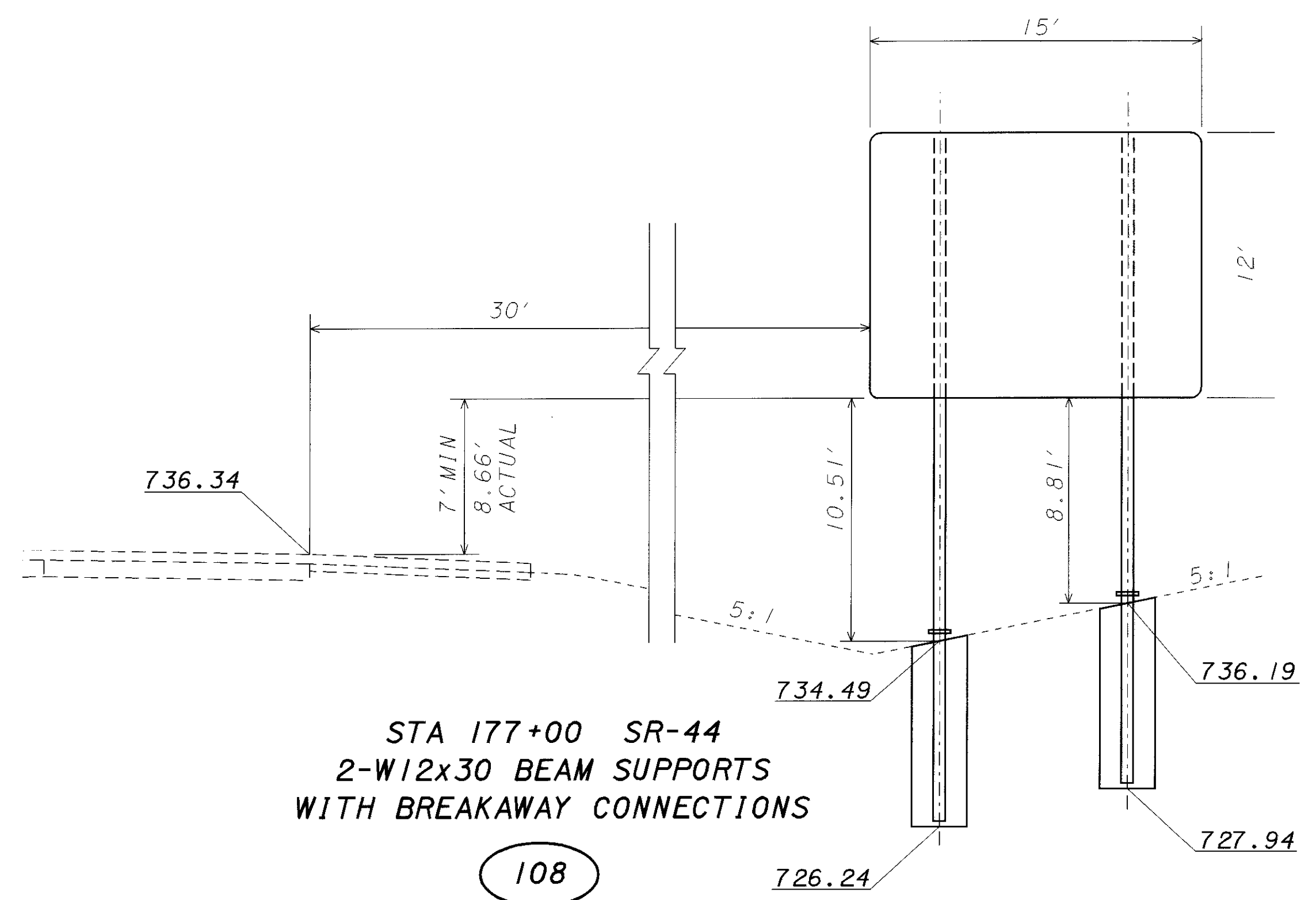
STA 161+60 SR-44  
2-W10x12 BEAM SUPPORTS

106



STA 168+50 SR-44  
2-W10x22 BEAM SUPPORTS  
WITH BREAKAWAY CONNECTIONS

107



STA 177+00 SR-44  
2-W12x30 BEAM SUPPORTS  
WITH BREAKAWAY CONNECTIONS

108

\* ELEVATIONS TO TOP OF CONCRETE BASE

CALCULATED JEL	CHECKED XXX
SCALE: 1/4" = 1'-0"	
TRAFFIC CONTROL GROUND MOUNTED SIGN - ELEVATION VIEW	
LAK-44-0.01	
163 196	