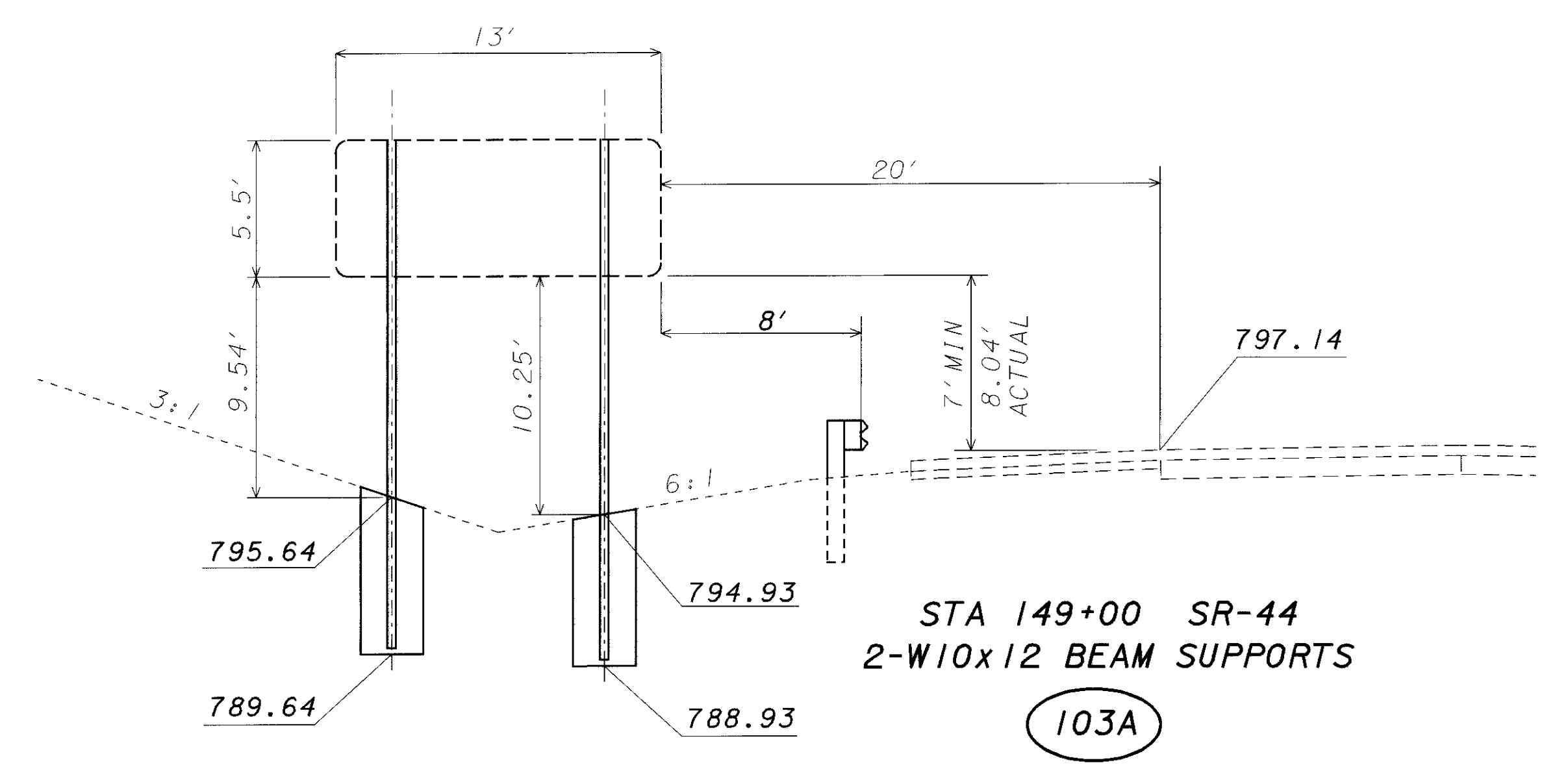
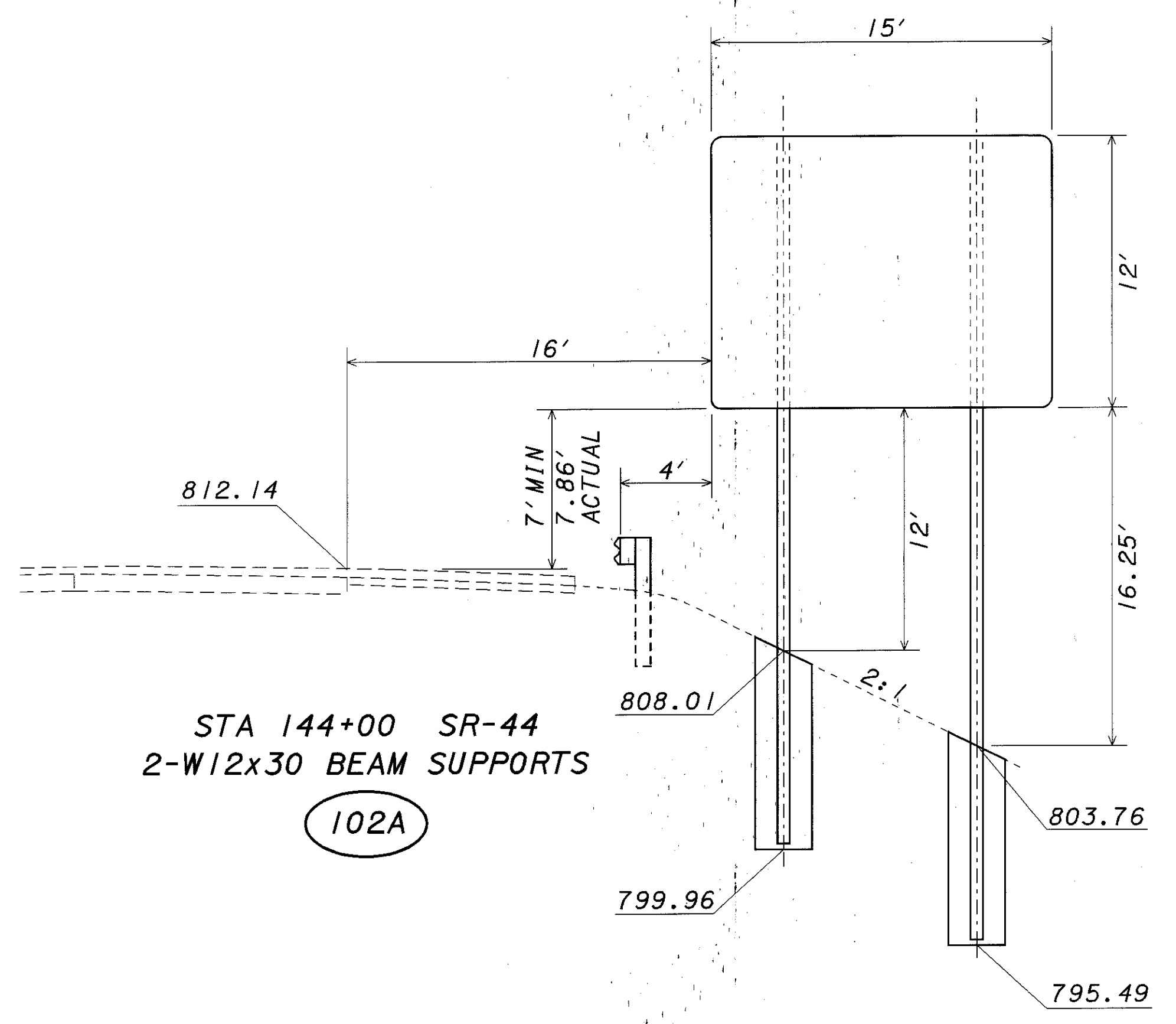
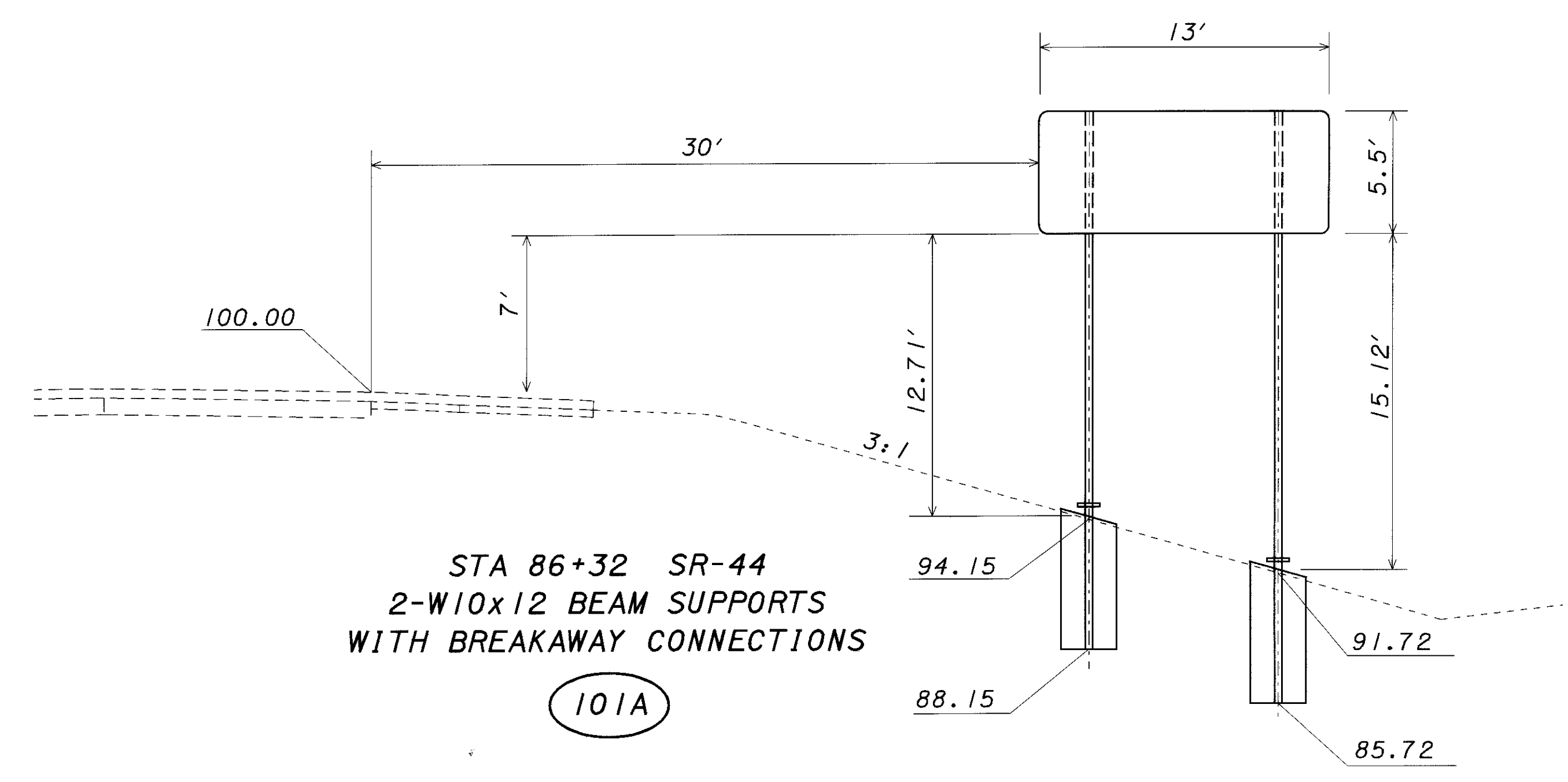
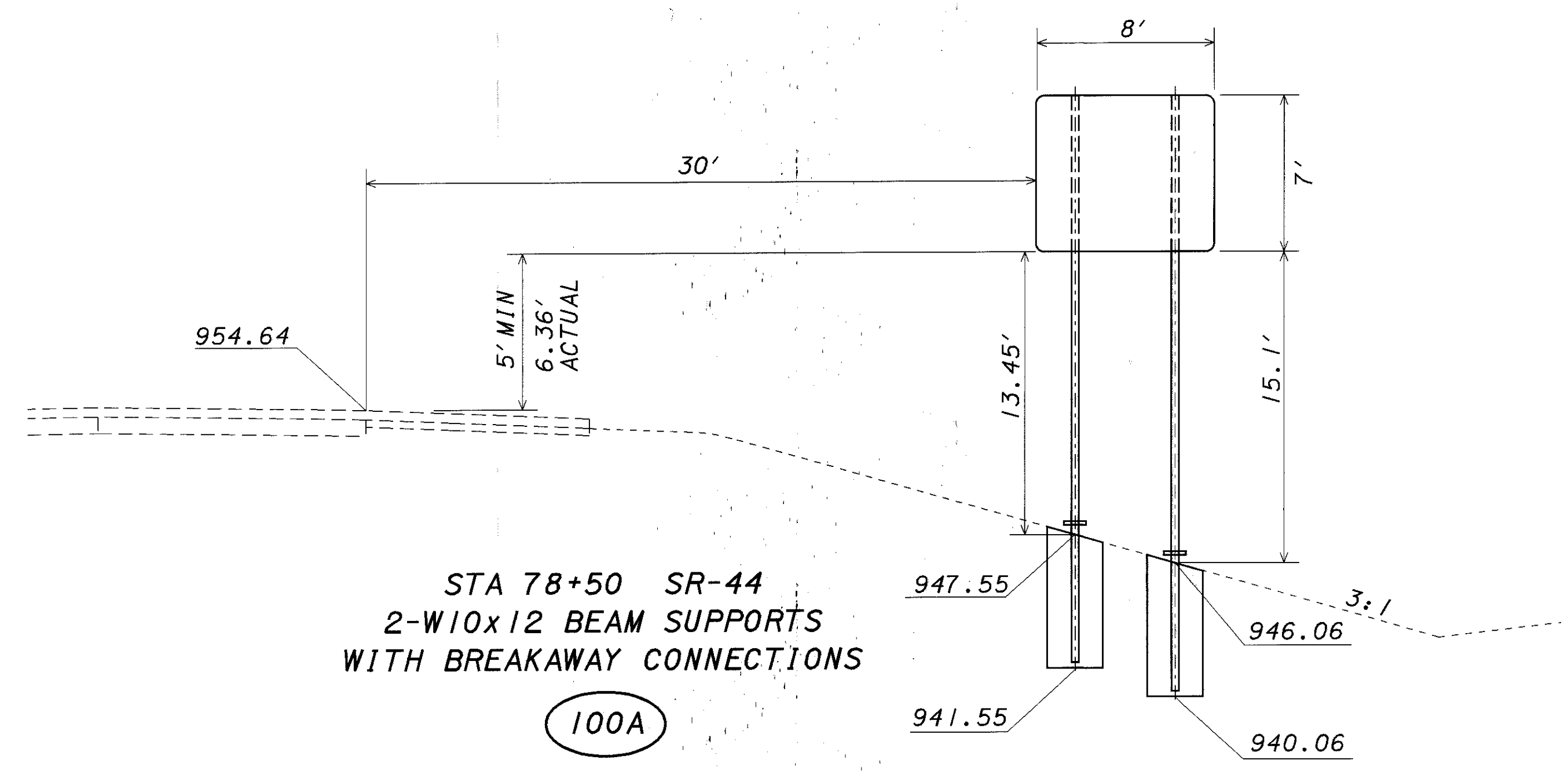


PLOTTED BY: fkonopka
 PLOTTED FROM: i:\projects\pid09866\09866tea.dgn
 09866teb.dgn
 PLOT SUBMITTED: 05-FEB-1999 10:18



CALCULATED JEL	CHECKED XXX
	SCALE IN FEET
TRAFFIC CONTROL GROUND MOUNTED SIGN - ELEVATION VIEW	
LAK-44-0.01	
* ELEVATIONS TO TOP OF CONCRETE BASE	
162 196	