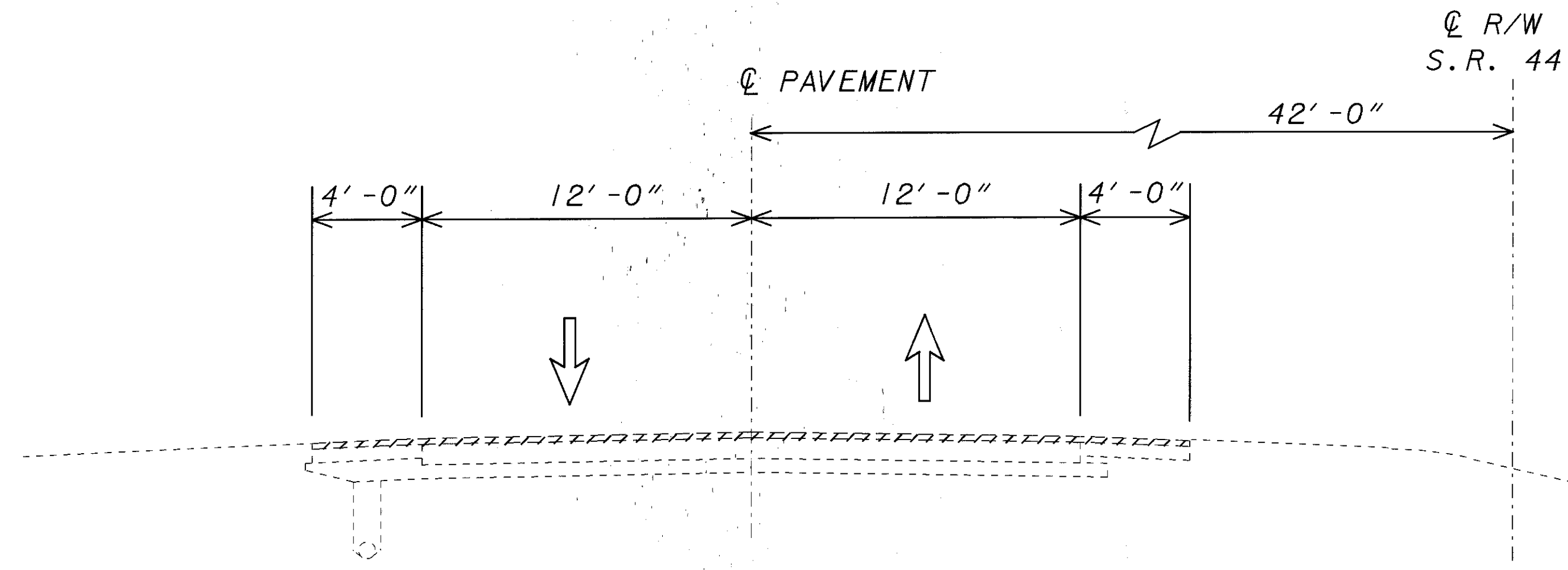


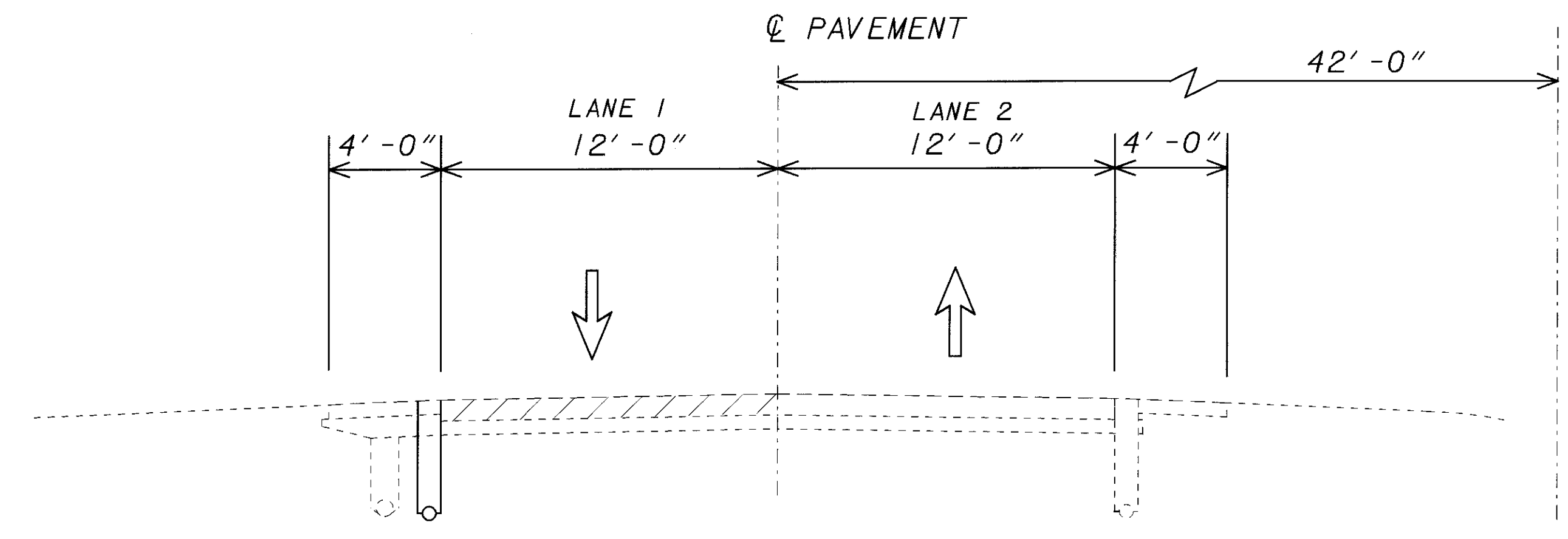
PRELIMINARY



CLOSE LANE 1 OR 2

CLOSE LANE NON-RUSH HOUR (USING FLAGMEN).  
 PAVEMENT AND SHOULDERS  
 INSTALL TEMPORARY PAVEMENT MARKINGS FOR PHASE I

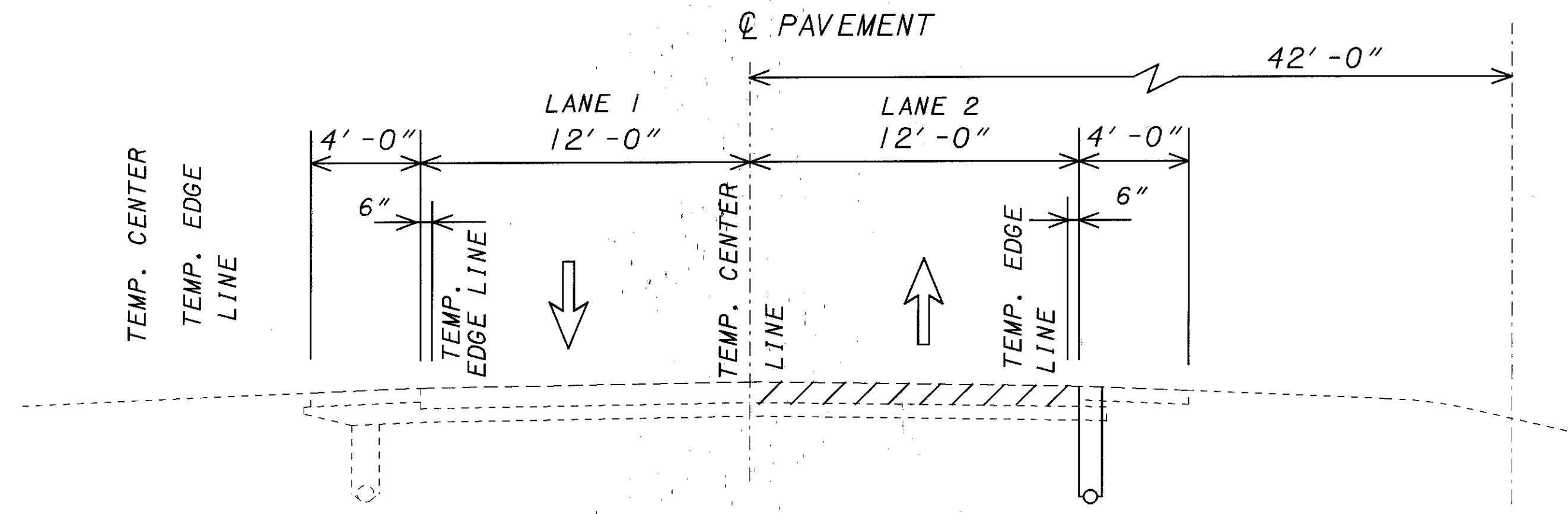
PHASE I I



CLOSE LANE 1

CLOSE LANE 1 NON-RUSH HOUR (USING FLAGMEN)  
 INSTALL UNDERDRAIN, REPAIR LANE 1 USING  
 FLEXIBLE MATERIAL.

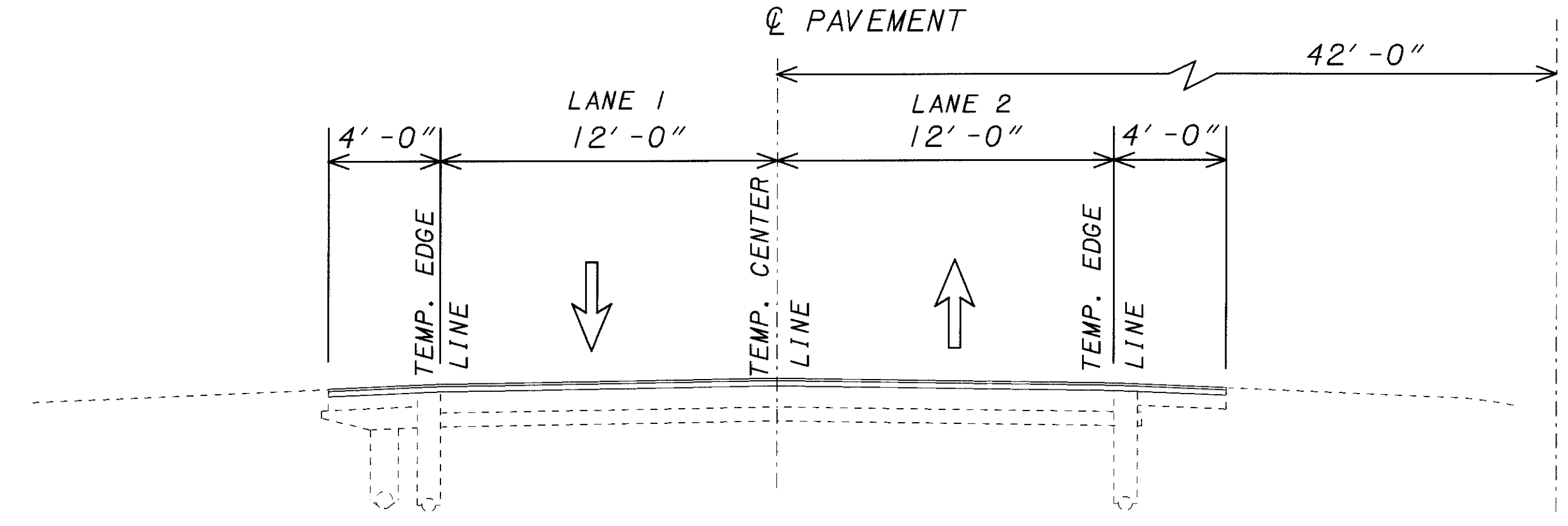
PHASE I



CLOSE LANE 2

CLOSE LANE 2 NON-RUSH HOUR (USING FLAGMEN)  
 INSTALL UNDERDRAIN, REPAIR LANE 2 USING  
 FLEXIBLE MATERIAL.

PHASE III



CLOSE LANE 1 OR 2

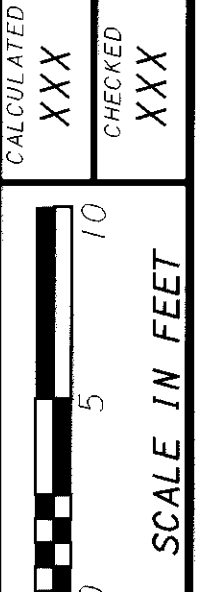
CLOSE LANE NON-RUSH HOUR (USING FLAGMEN).  
 PLACE INTERMEDIATE AND SURFACE COURSES,  
 INSTALL TEMPORARY MARKINGS AND  
 RE-OPEN TO TRAFFIC.

PLOT SUBMITTED: 10-FEB-1999 06:19

09866MDA.dgn

09866mda.dgn

PLOTTED BY: fkonopka  
PLOTTED FROM: i:\projects\p109866\09866mda.dgn



MAINTENANCE OF TRAFFIC  
 TYPICAL SECTIONS  
 STA. 00+00 TO STA. 50+00

LAK-44-0.01