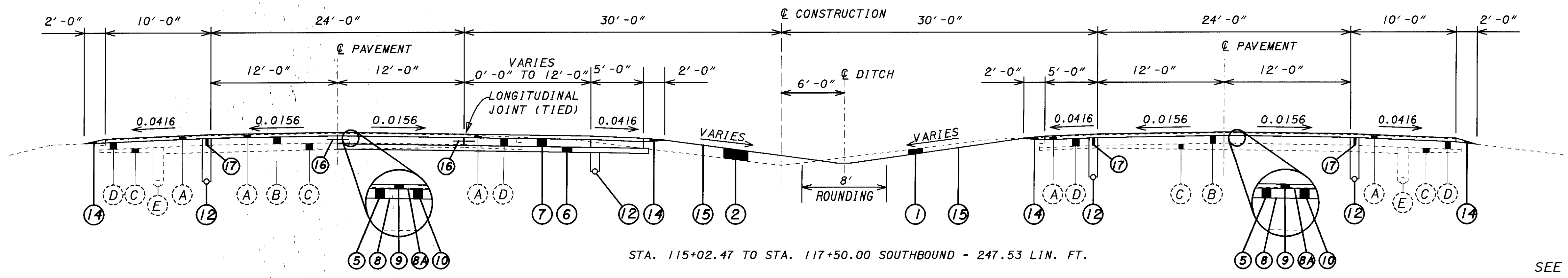
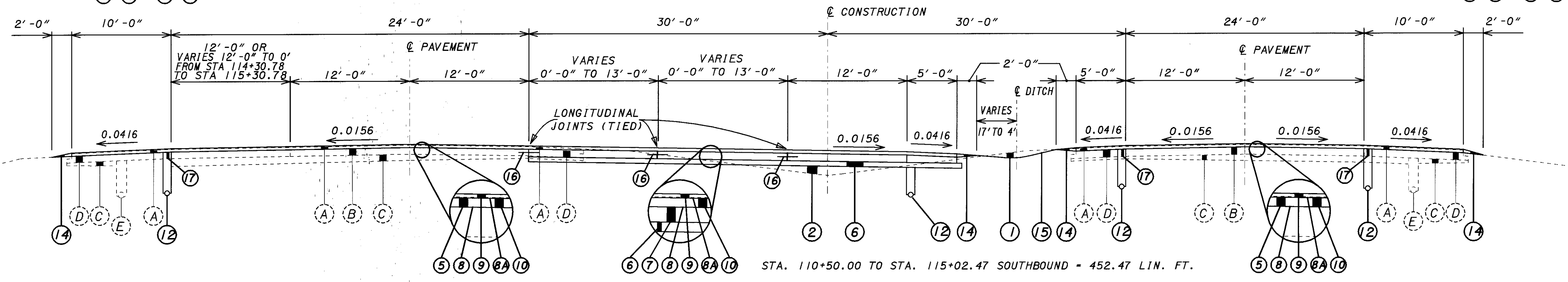
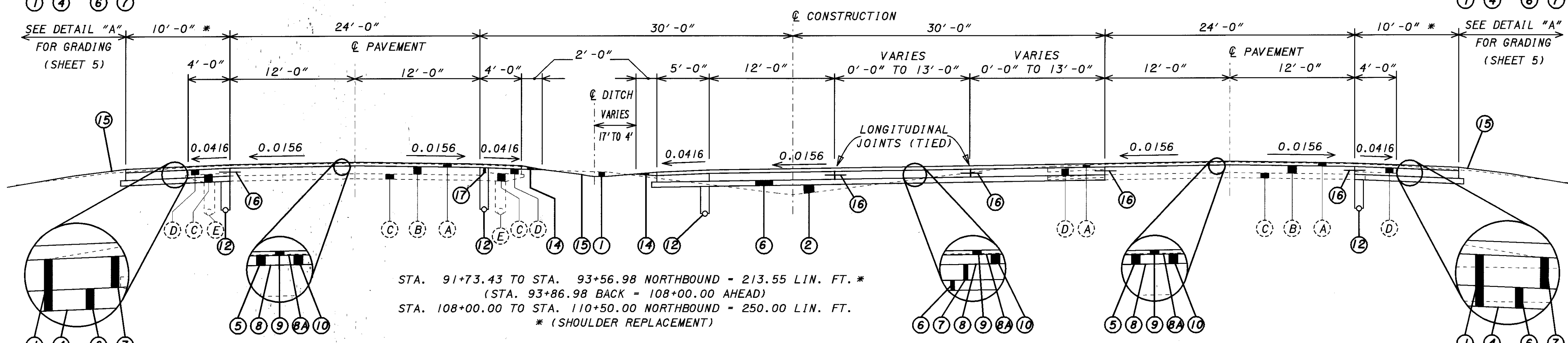
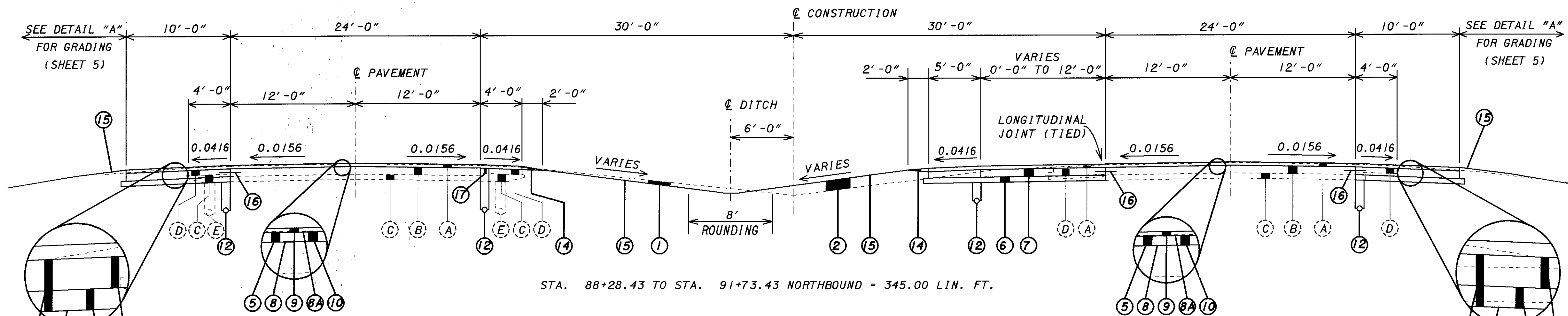


PLOT SUBMITTED: 10-FEB-1999 05:58

PLOTTED BY: fkonopka
PLOTTED FROM: i:\projects\p109866\09866.dgn



CALCULATED XXX
CHECKED XXX
SCALE IN FEET
0 6 12

TYPICAL SECTIONS - S.R. 44
STA. 88+28.43 TO 117+50.00

LAK-44-0.01

SEE SHEET 3 FOR LEGEND