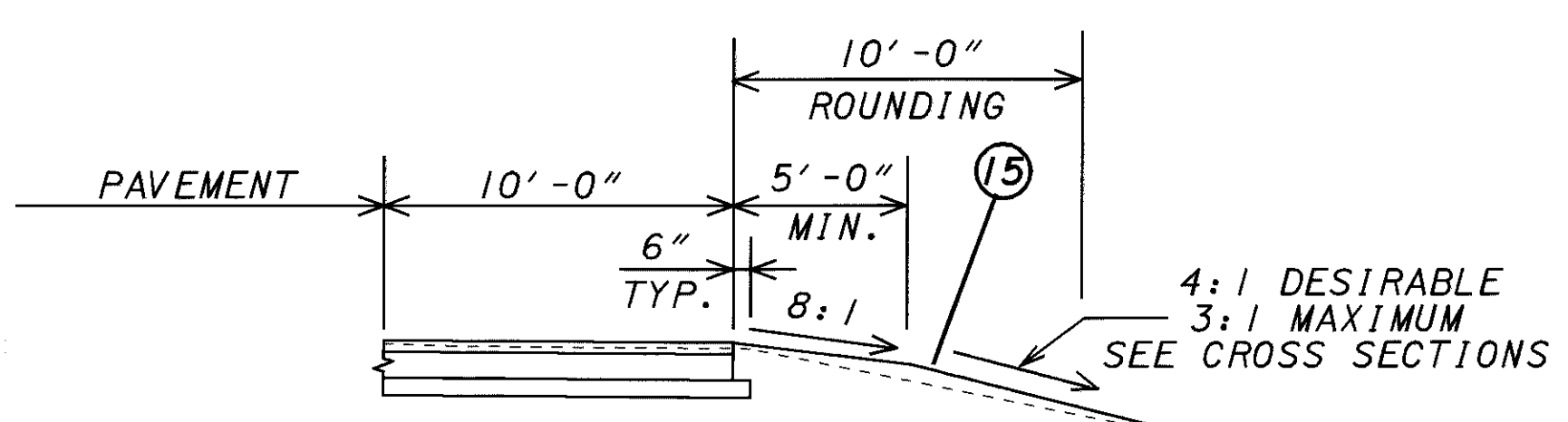
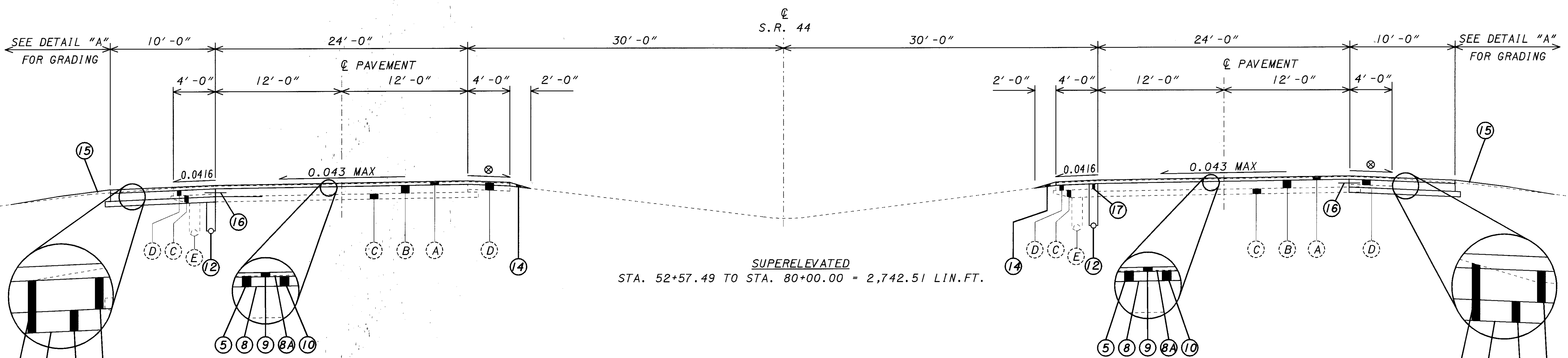
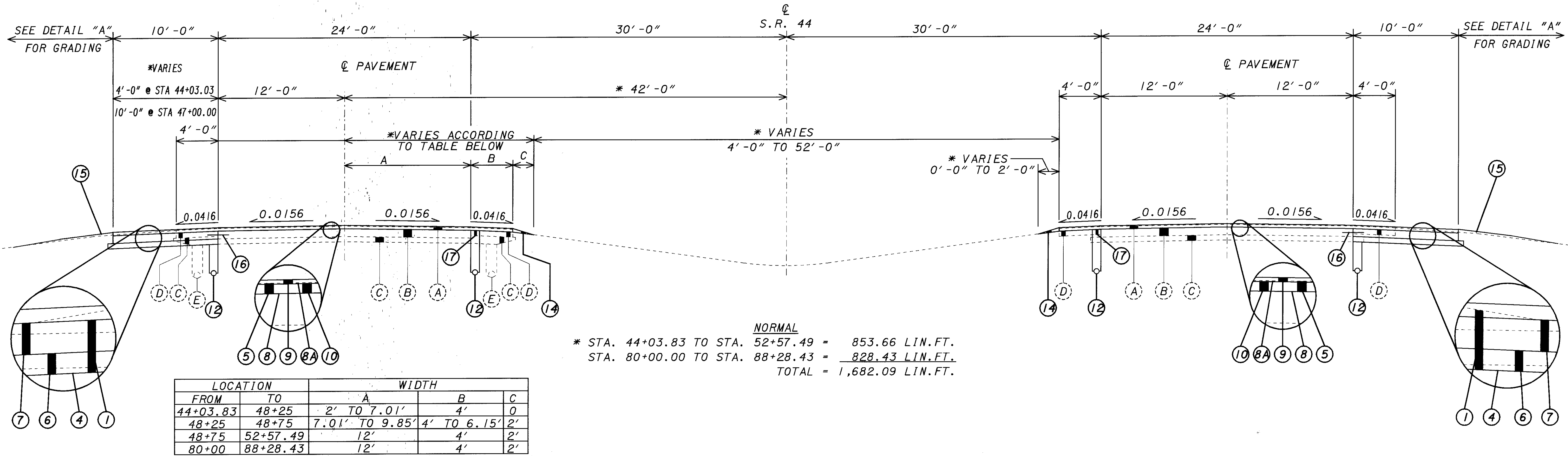


PLOT SUBMITTED: 10-FEB-1999 05:57

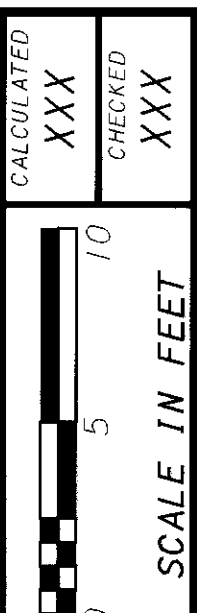
PLOTTED BY: fkonopka
 PLOTTED FROM: i:\projects\p109866\09866.dgn
 09866.dgn



* UNLESS SHOWN OTHERWISE ON THE CROSS SECTION SHEETS.

⊗ VARIES 0.416 TO 0.027 (7% MAXIMUM GRADE BREAK)

SEE SHEET 3 FOR LEGEND.



TYPICAL SECTIONS - S.R. 44
 STA. 44+03.83 TO STA. 88+28.43

LAK-44-0.01