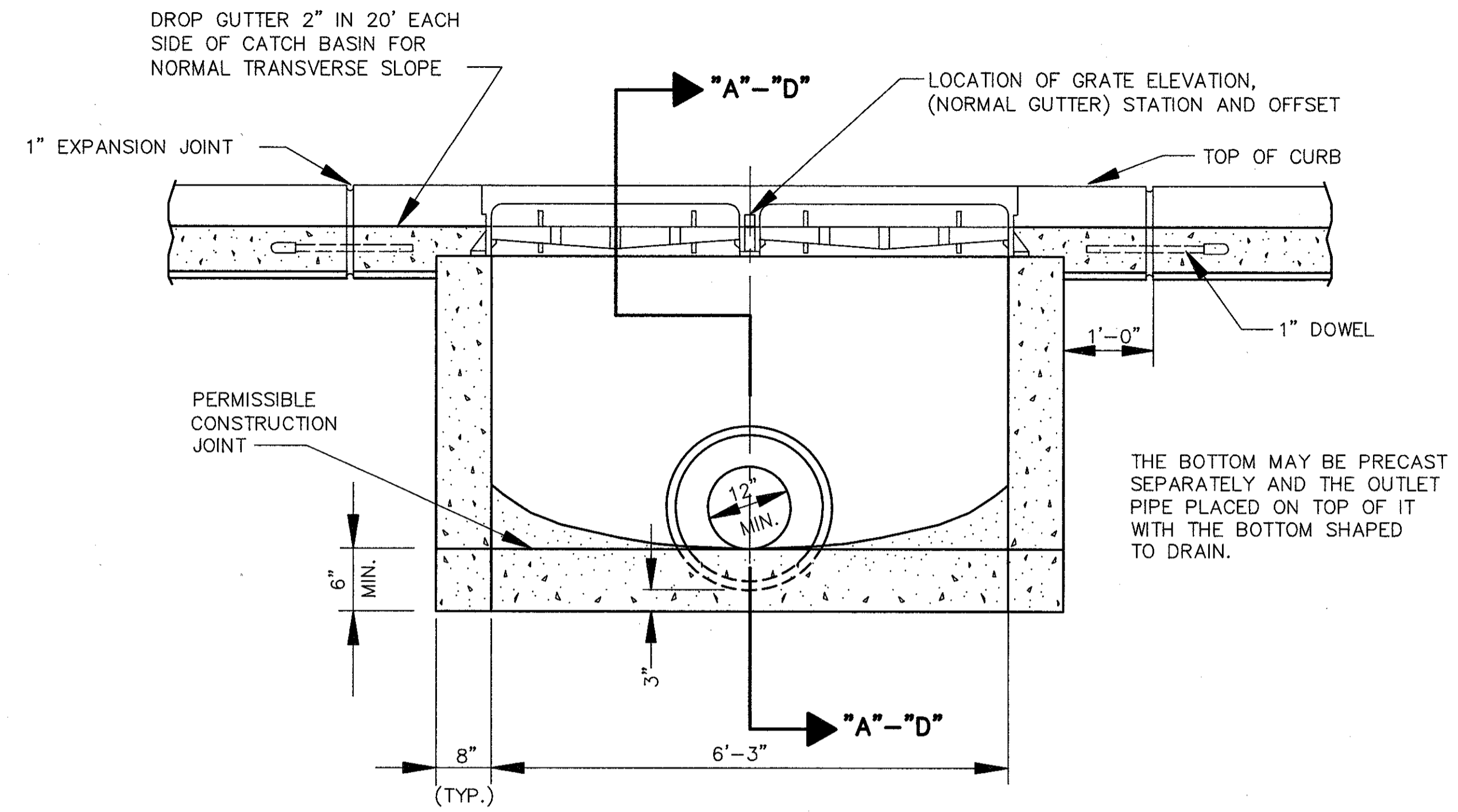
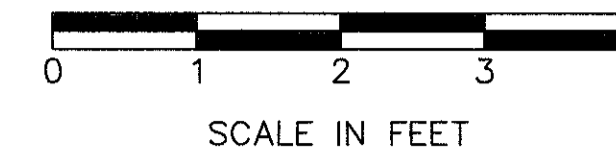
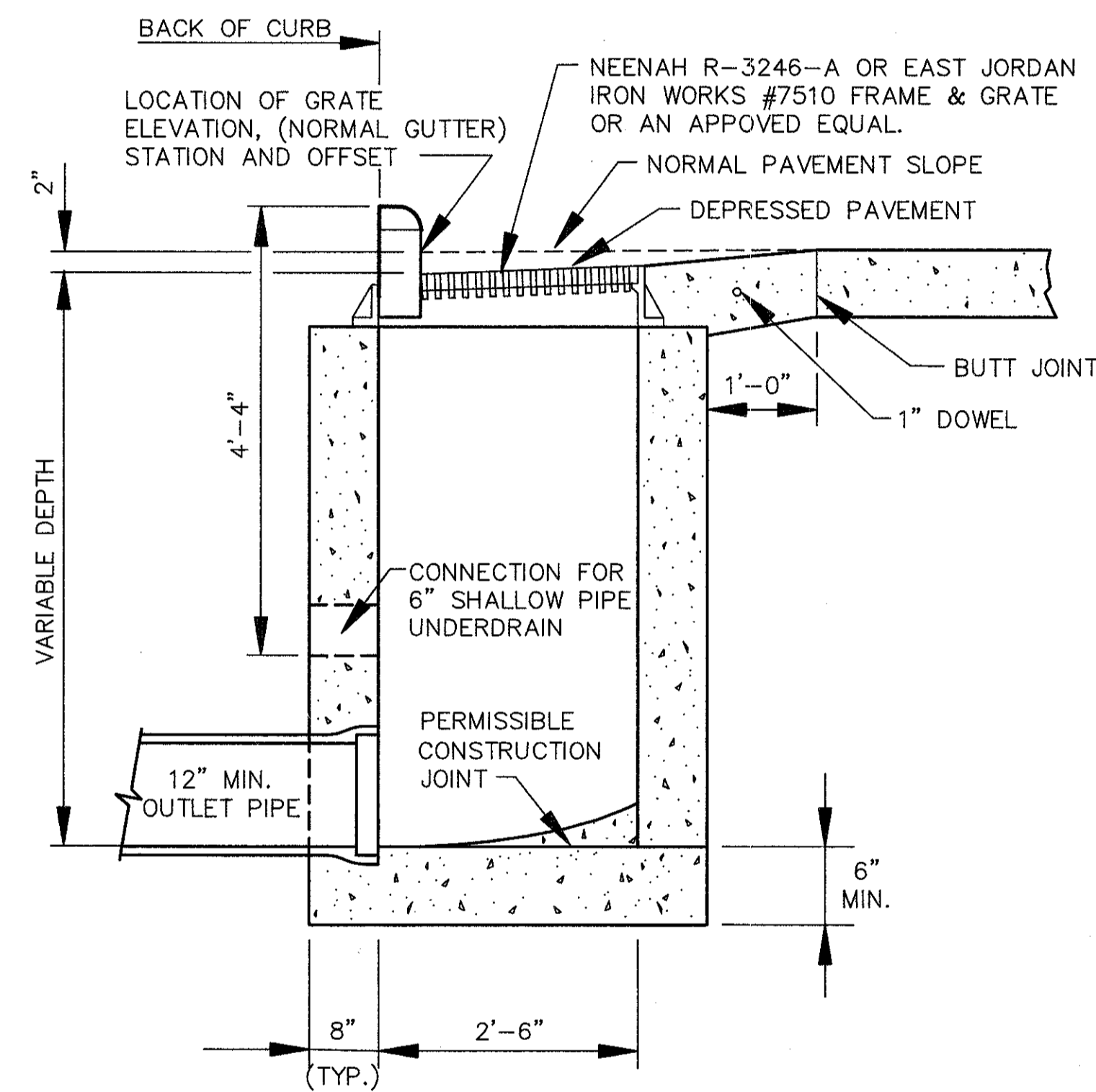


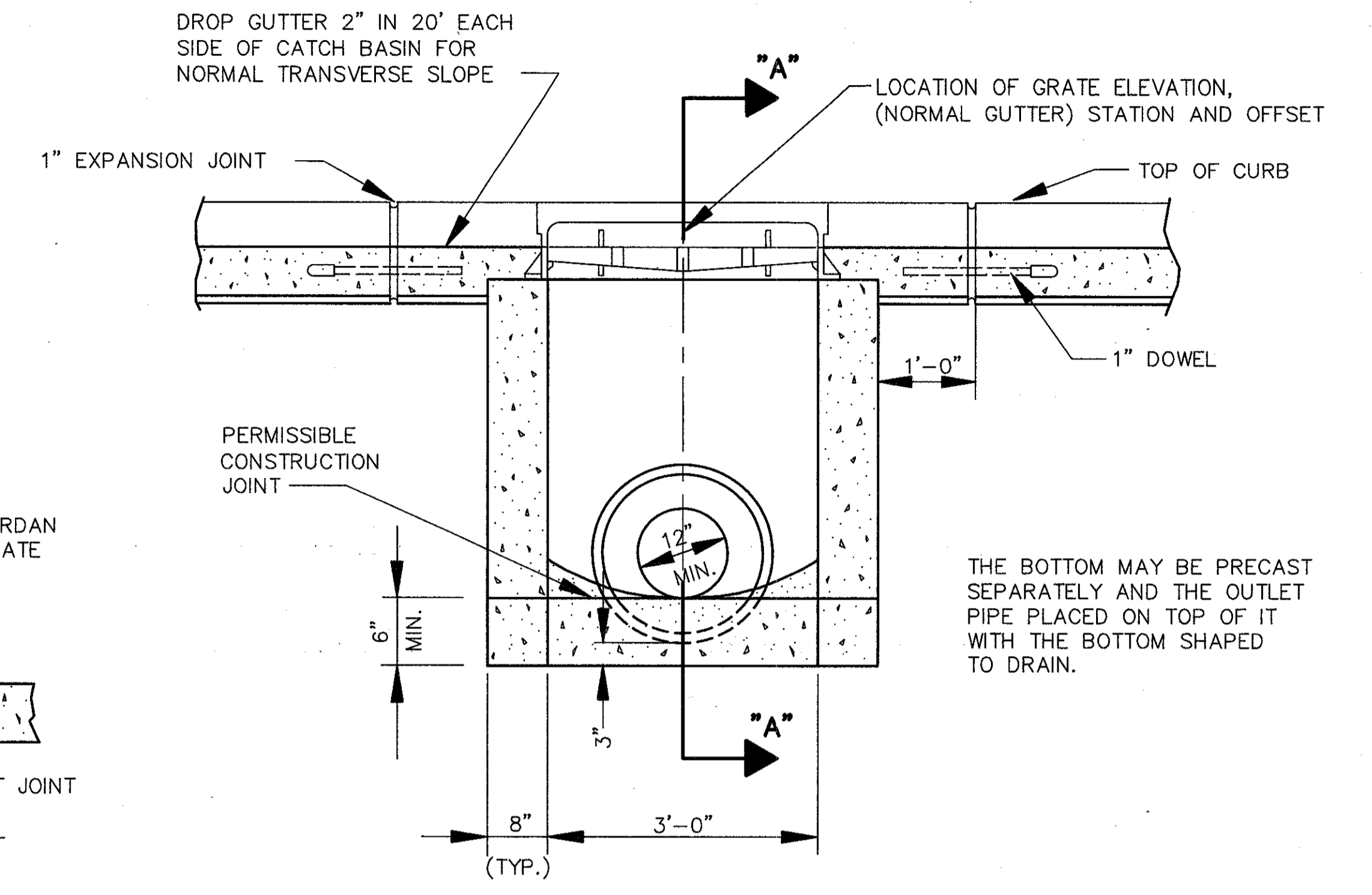
DRAINAGE DETAILS



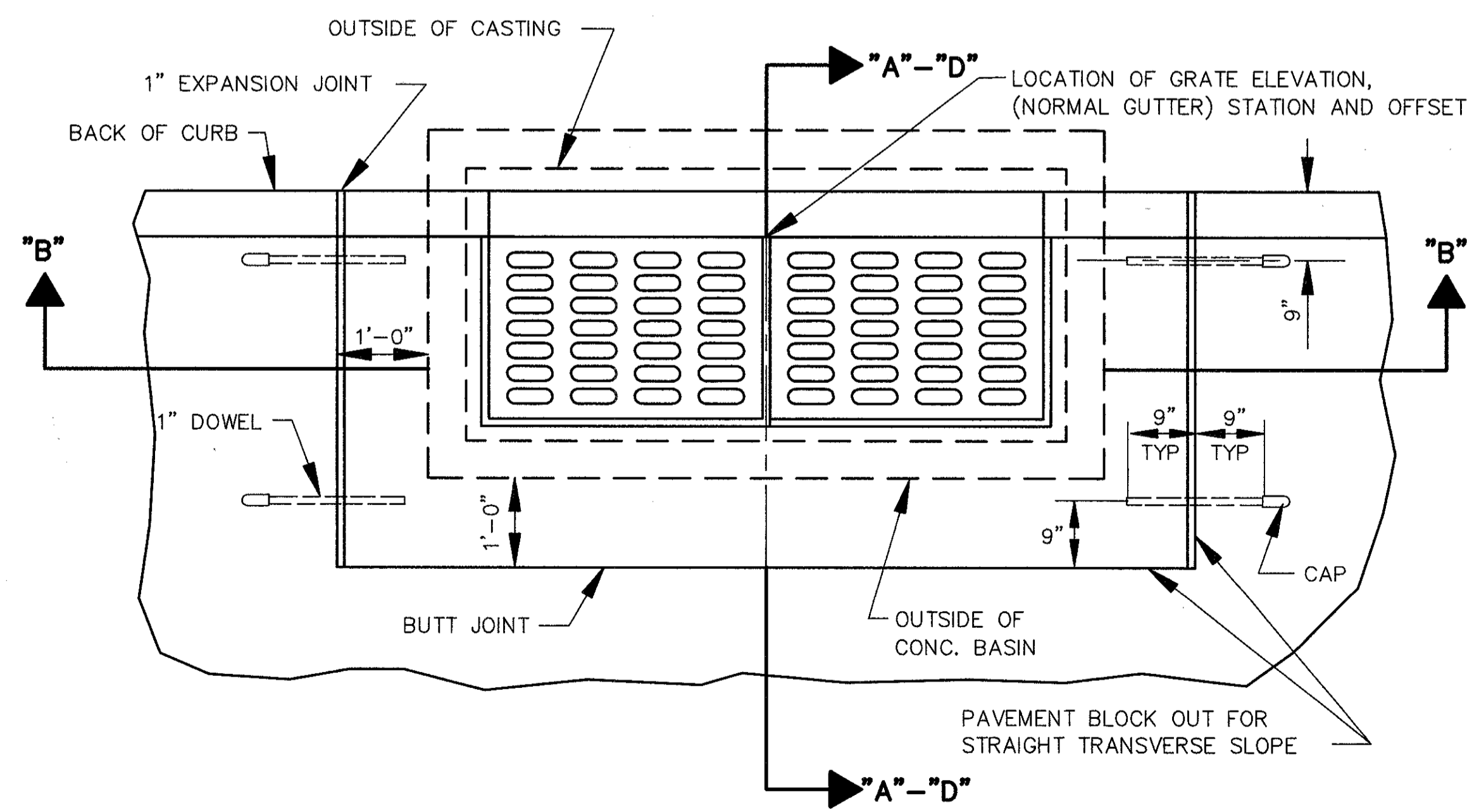
SECTION "B - B"



SECTION "A - A"

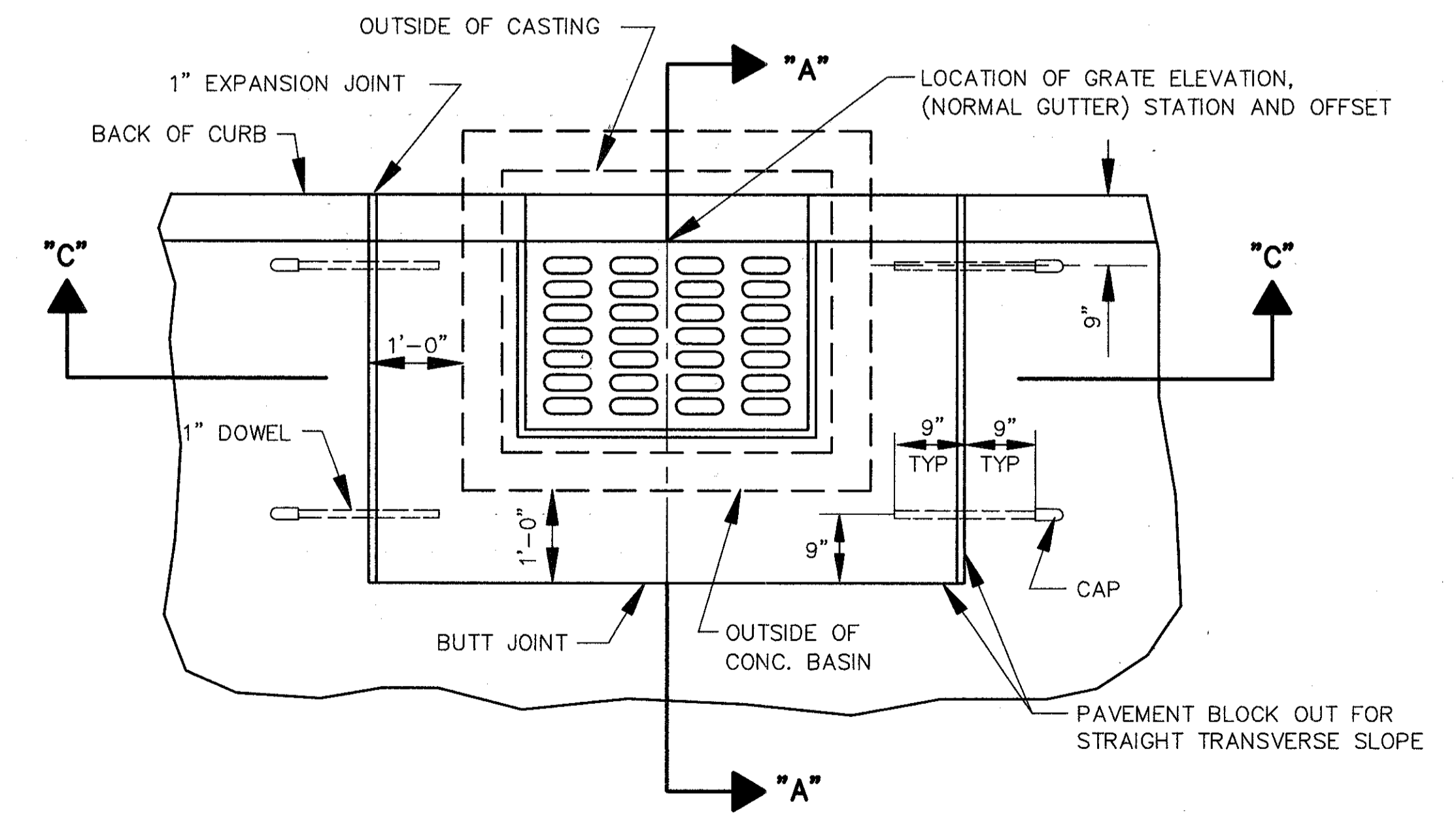


SECTION "C - C"



PLAN

CATCH BASIN, NO. 3 AS PER PLAN



PLAN

CATCH BASIN, NO. 3A AS PER PLAN