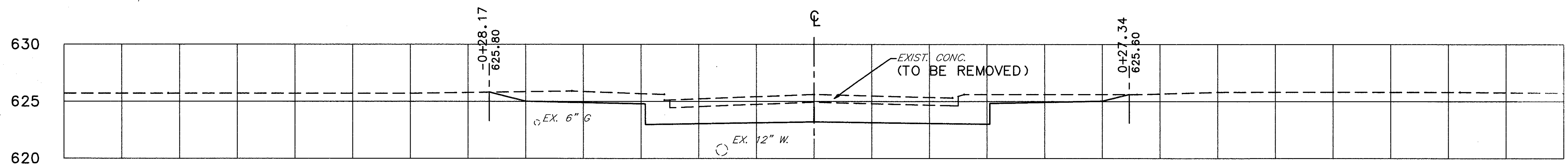


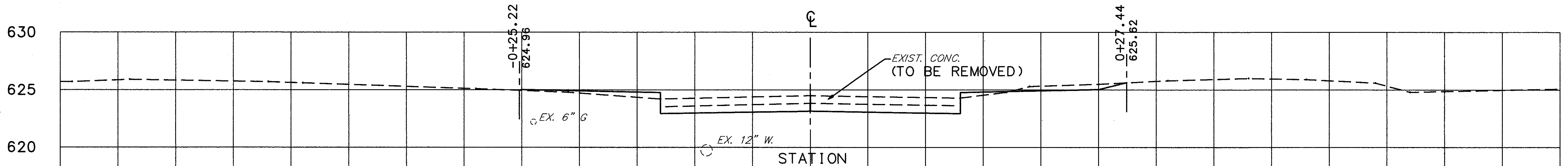
CALC. BY MLM
DATE 2/90
CHKD BY DWL
DATE 3/90

LAK - 306 - 7.12

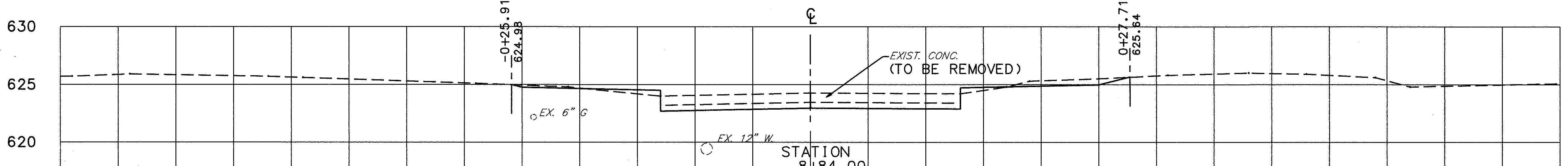
OHIO
FHWA REGION 5
232
452



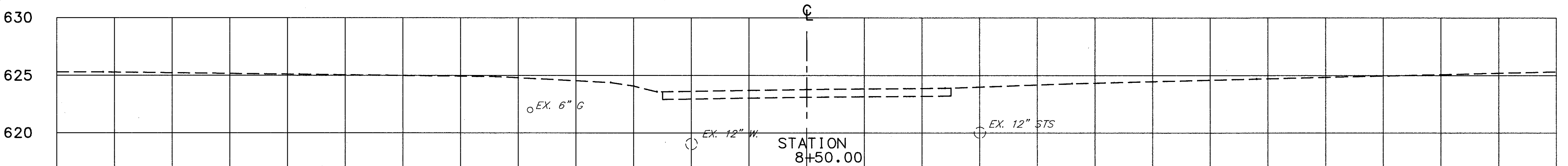
STATION
9+50.00
EXIST 625.60
PROP. 624.53



STATION
9+00.00
EXIST 624.50
PROP. 624.46



STATION
8+84.00
EXIST 624.28
PROP. 624.28



STATION
8+50.00
EXIST 623.80
PROP.

	END AREA		VOLUME	
	CUT	FILL	CUT	FILL
BACK ONLY	8.0	0.0		
			27.9	4.2
	2.4	0.5		
			8.0	1.3
AHEAD ONLY	2.1	0.3		
BACK ONLY	0.5	0.3		
			2.0	1.2
AHEAD ONLY	0.0	0.0		

ANDOVER DRIVE