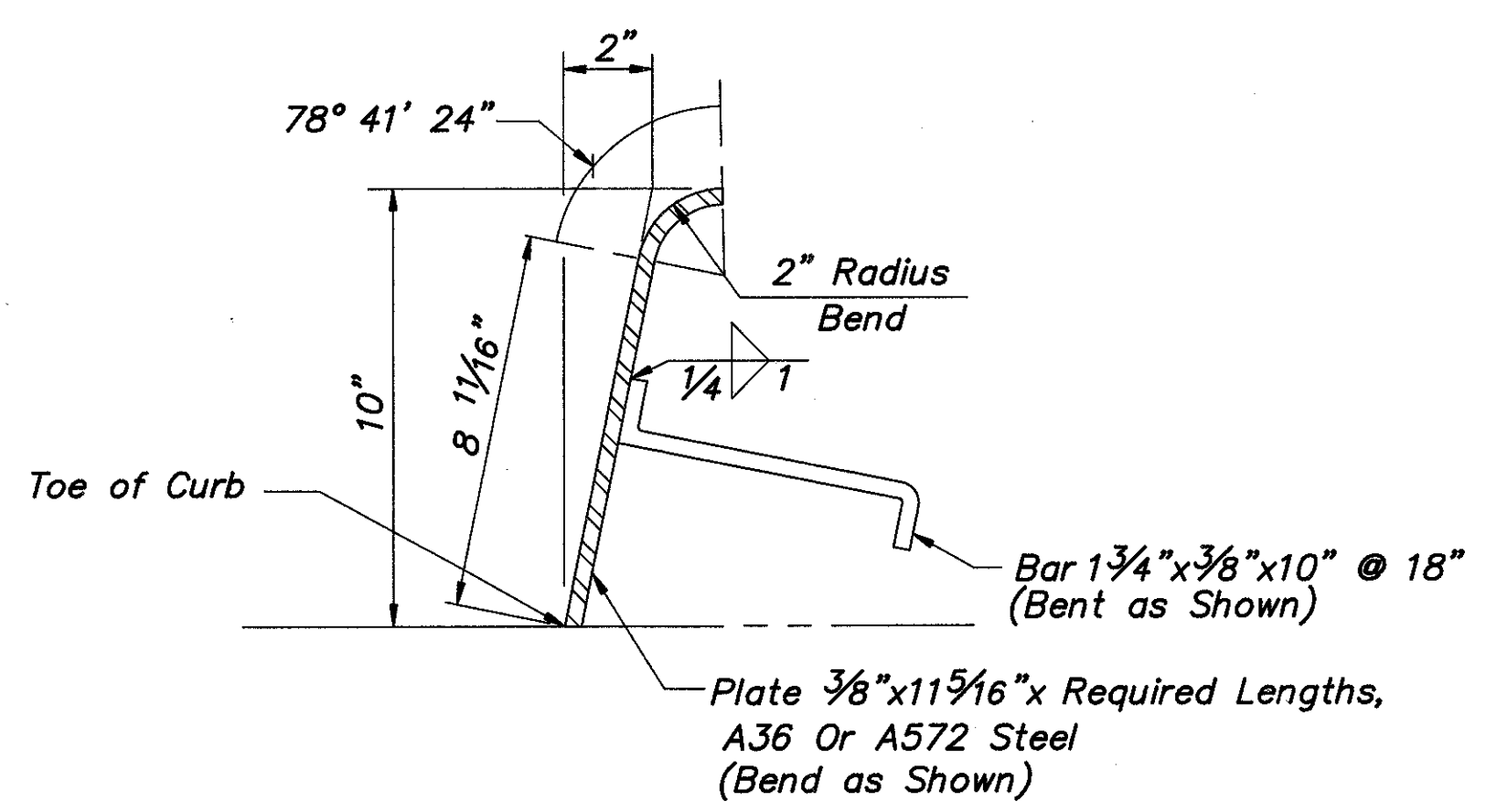


CURB PLATE SPLICE DETAILS

PLAN AT END DAM SPLICE
(Forward Abutment Shown)
(Rear Abutment Opposite Hand)

NOTE: See Drawing EXJ-4-87 for Additional Expansion Joint Details
Notation: Typ.-Typical, Horiz.-Horizontal, Vert.-Vertical, Bot.-Bottom
For Additional Notes, See Sheet 4 / 29.



CURB PLATE DETAIL

Note: Materials, Fabrication, Installation, And Shop Painting of Curb Plate at Sidewalk to be Included in Price Bid per Pound for Item 513-Structural Steel. Field Painting Will Be Paid For Under Item 514. See General Notes, Sheet 5 / 29.

Note: All field butt joints shall be welded together as required prior to placing Phase II concrete. Elastomeric strip seals shall be furnished in one continuous piece at each joint and shall be installed after all phases of construction are complete.

CT Consultants, Inc.
Engineers • Architects • Planners
Willoughby • Mentor • Columbus • North Canton • Youngstown 26 / 29

MISCELLANEOUS DETAILS
BRIDGE NO. LAK-306-0691
OVER STATE ROUTE 2
LAKE COUNTY

DESIGNED	DRAWN	TRACED	CHECKED	REVIEWED	DATE	REVISED
J.E.A.	R.L.B.	R.L.B.	J.P.R.	BIA	8/31/90	