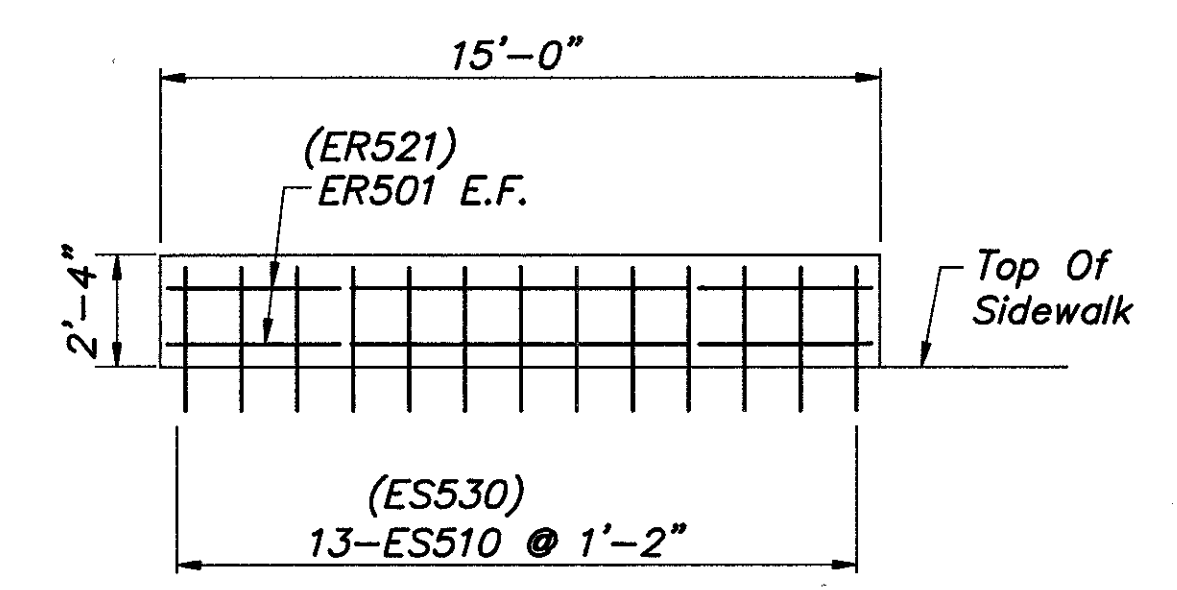


SIDEWALK AND PARAPET PLAN

Right Side Shown (Left Side As Noted)
Reinforcement Shown Is Above Construction Joint
See Curb And Parapet Detail On Sheet 17/29

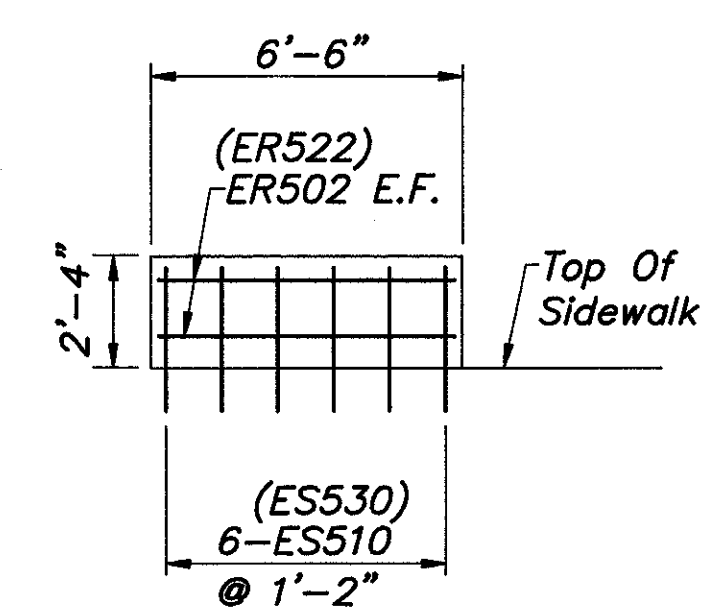
Notation: T.O.S. - Top Of Slab; B.O.S. - Bottom Of Slab
Typ. - Typical



TYPICAL 15'-0" PARAPET PANEL

ELEVATION VIEW

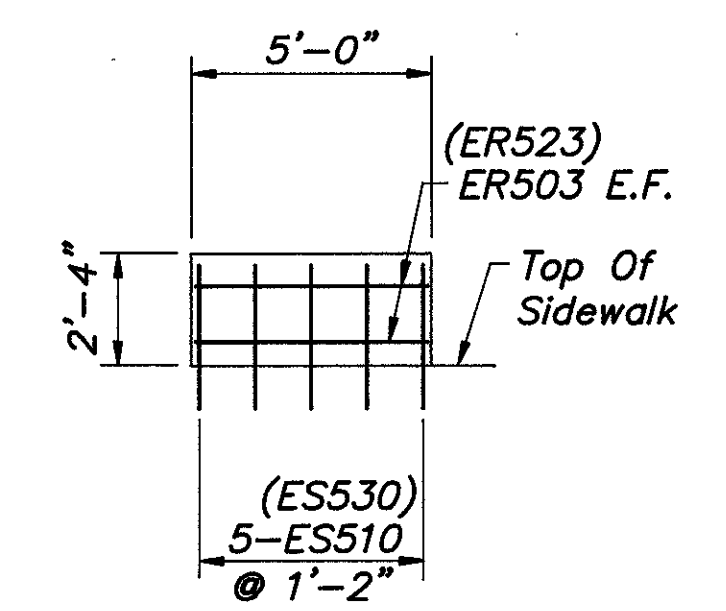
Right Side Shown (Left Side As Noted)



TYPICAL 6'-6" PARAPET PANEL

ELEVATION VIEW

Right Side Shown (Left Side As Noted)



TYPICAL 5'-0" PARAPET PANEL

ELEVATION VIEW

Right Side Shown (Left Side As Noted)

CT Consultants, Inc.
Engineers • Architects • Planners
Willoughby • Mentor • Columbus • North Canton • Youngstown 24/29

SUPERSTRUCTURE DETAILS
BRIDGE NO. LAK-306-0691
OVER STATE ROUTE 2
LAKE COUNTY

| | | | | | | |
|----------|--------|--------|---------|----------|---------|---------|
| DESIGNED | DRAWN | TRACED | CHECKED | REVIEWED | DATE | REVISED |
| J.P.R. | M.T.W. | M.T.W. | J.E.A. | BJA | 8/31/10 | |