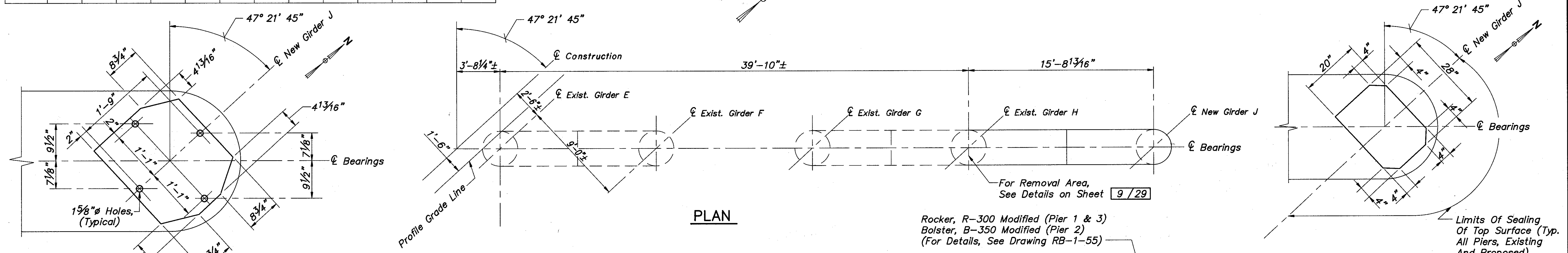
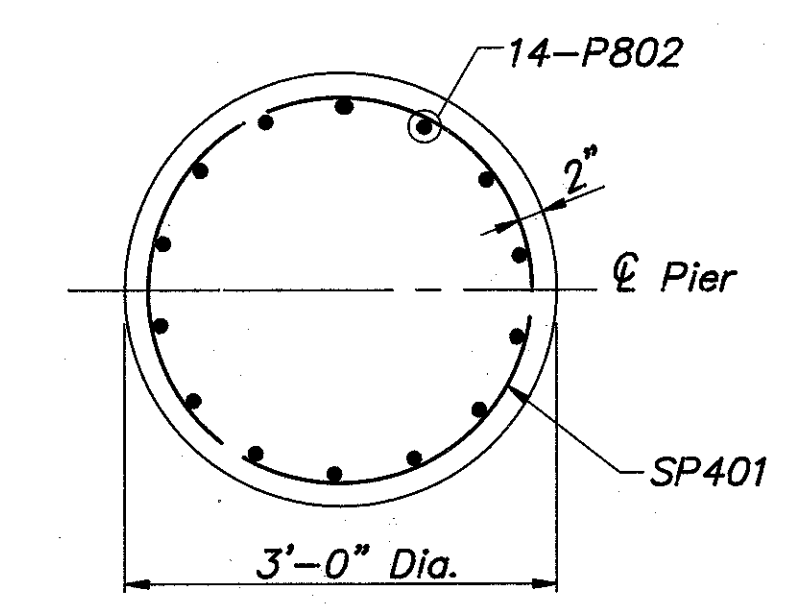


Note: Bearing B-350 Shall be a Bolster As Shown on Drawing RB-1-55, with the Following Dimensions:

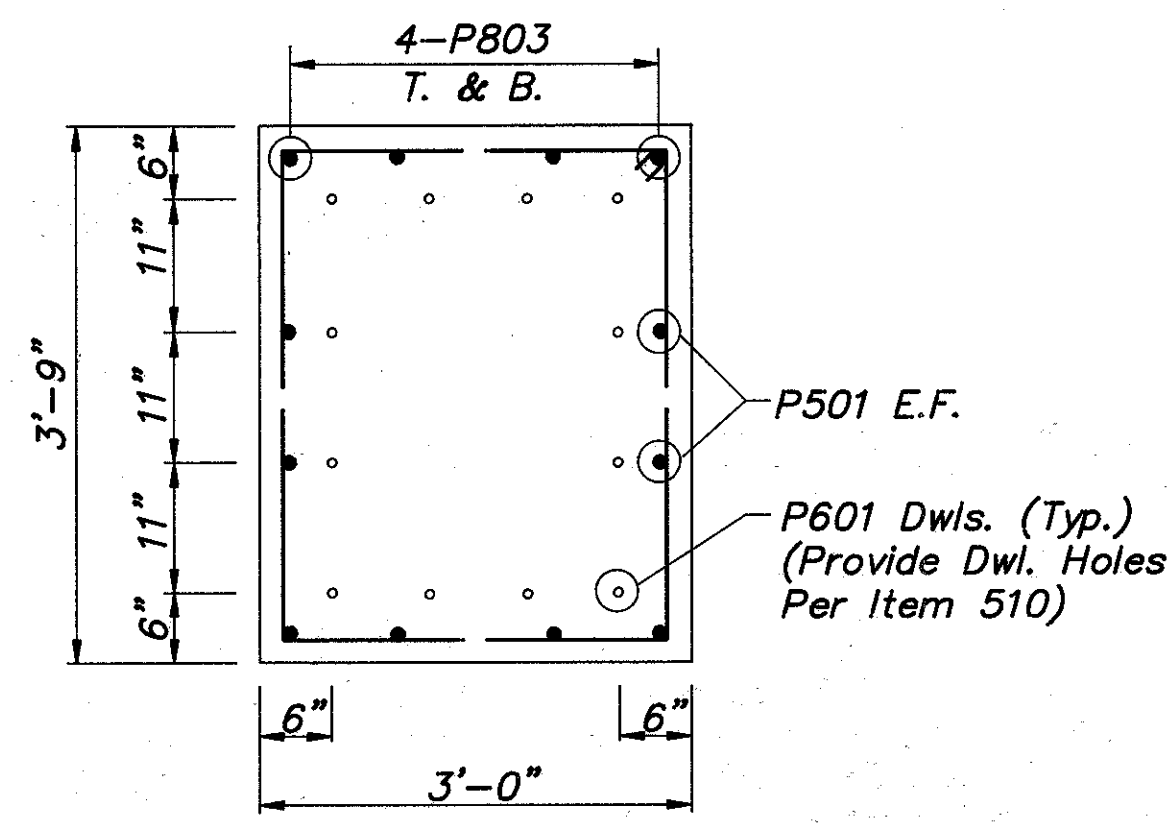
No.	A	B	C	D	F	G	H	K	L	M	R	T	Y
B-350	3 1/2"	25"	3 1/2"	3 3/4"	1"	14"	20 9/16"	15"	30"	27"	13 1/2"	3 1/2"	11 1/16"



ANCHOR BOLT LAYOUT AND BASE PLATE AT PIER 2
(For Modified Bolster 350)

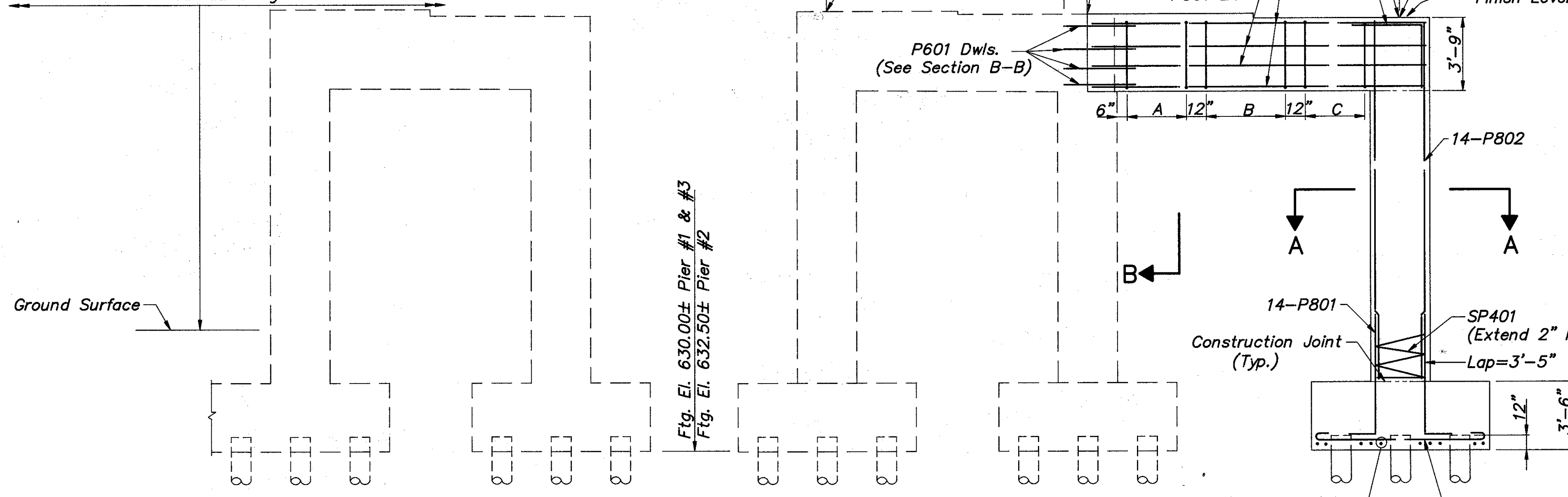


SECTION A-A



SECTION B-B

Sealing of Concrete Surfaces, Epoxy. Typical All Surfaces, Except Top Surface Between Q of Fascia Girders. Proposed And Existing



ELEVATION

Notes:

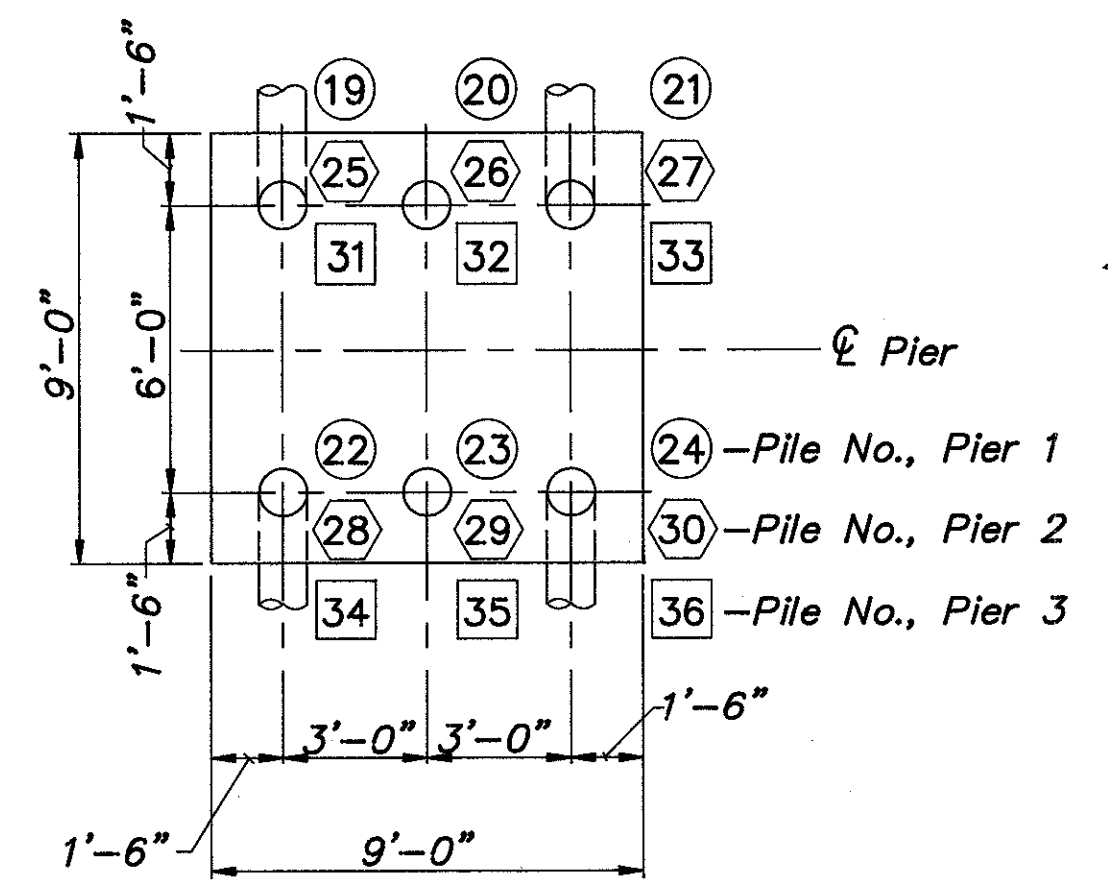
- All Piles Are 12" C.I.P. Reinforced Concrete Piles.
- All Battered Piles Shall Be Inclined In 4 In Direction Shown.
- Pile Layout Dimensions Are Measured Along Bottom of Footings.
- Reinforcing Steel In The Vicinity of The Bridge Seat Shall Be Accurately Placed To Avoid Interference With The Drilling of Bearing Anchor Holes, or the Presetting of The Bearing Anchors.
- Notation: E.F. - Each Face; T. - Top; B. - Bottom; Typ. - Typical; Dwls. - Dowels; El. - Elevation; Dia. - Diameter
- All Surfaces Except The Tops of Both Existing and Proposed Piers, Above Ground Level, Are to be Sealed with an Epoxy Sealer.
- Base Plates and Anchor Bolt Layout for Rockers and Bolsters shall be Modified as Shown in the Diagrams on this Sheet.

- Bearing Anchors: At the Option of the Contractor, Bearing Anchors (or Formed Holes), Located and Supported By Templates, May be Cast in Place.
- The Prefix "1", "2" or "3" Shall be Added to All Reinforcing Bar Marks in Pier 1, Pier 2 or Pier 3, Respectively, Unless Shown Otherwise.

BASE PLATE AT PIERS 1 & 3
(For Modified Rockers 300)

Pier Elevations				
	El. 1	El. 2	El. 3	El. 4
Pier #1	651.76±	651.69±	651.70	630.00
Pier #2	652.03±	651.84±	651.62	632.50
Pier #3	651.40±	651.11±	650.81	630.00

- A: 4-P402 @ 12" (Hooks On Bottom)
B: 5-P402 @ 12" (Hooks On Top)
C: 4-P402 @ 12" (Hooks On Bottom)



PIER FOOTING PLAN

CT Consultants, Inc.
Engineers • Architects • Planners
Willoughby • Mentor • Columbus • North Canton • Youngstown 16/29

PIERS
BRIDGE No. LAK-306-0691
OVER STATE ROUTE 2
LAKE COUNTY

DESIGNED	DRAWN	TRACED	CHECKED	REVIEWED	DATE	REVISED
JEA	M.T.W.	M.T.W.	J.P.R.	BJA	8/31/91	